

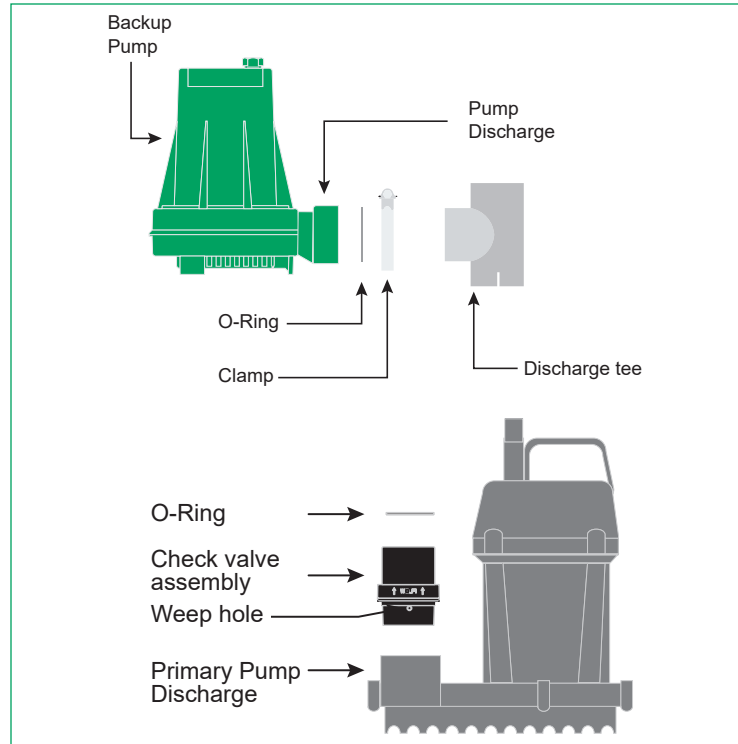


**WiFi ENABLED  
BACK-UP  
SUMP PUMP**  
MODEL #STBB300

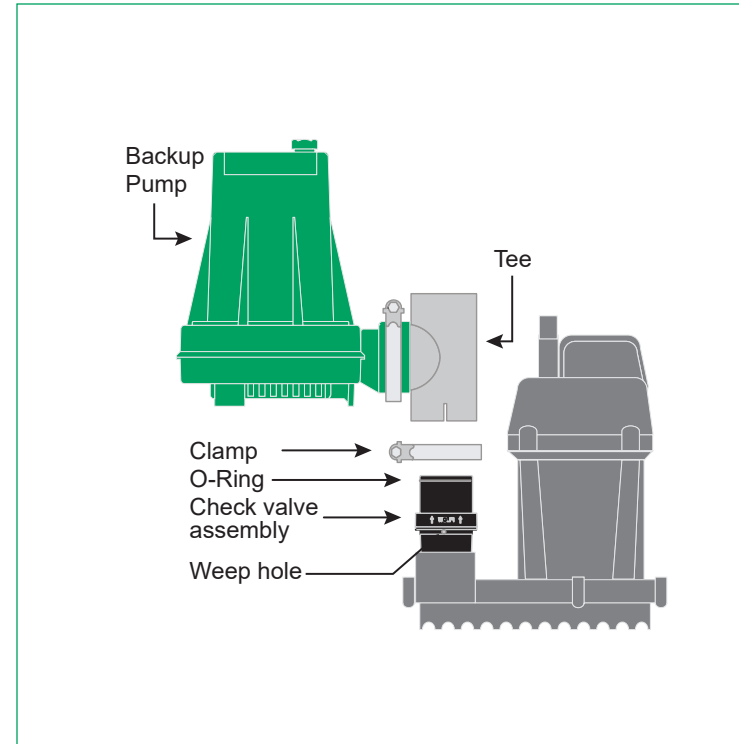


A	12V Pump with o-ring	E	Tee Fitting
B	Controller	F	Pipe Clamps
C	Dual Float Switch	G	Battery Box
D	Check Valve with o-ring		

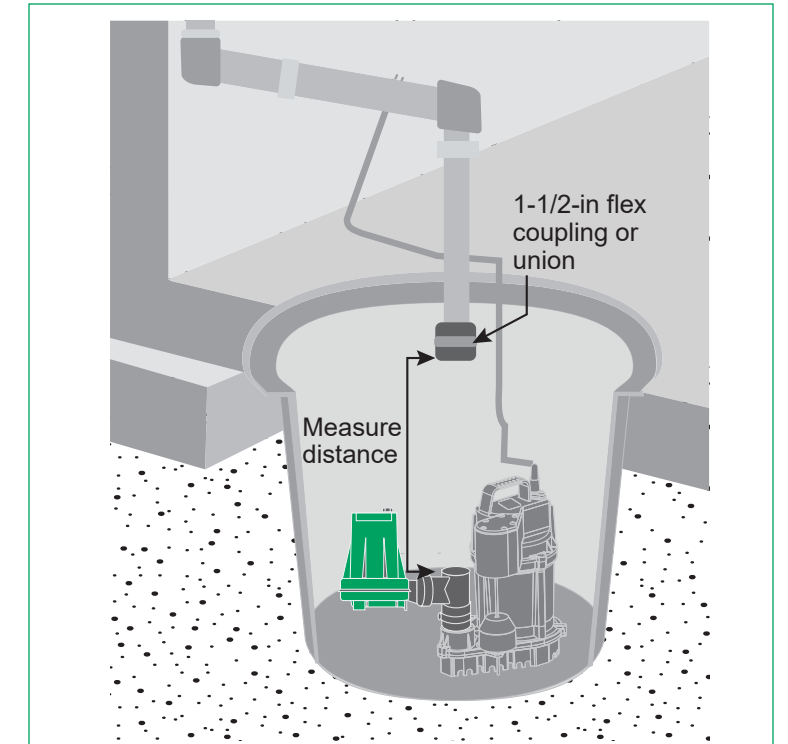
**SEE INSTRUCTION MANUAL FOR IMPORTANT SAFETY WARNINGS AND ADDITIONAL INFORMATION.**



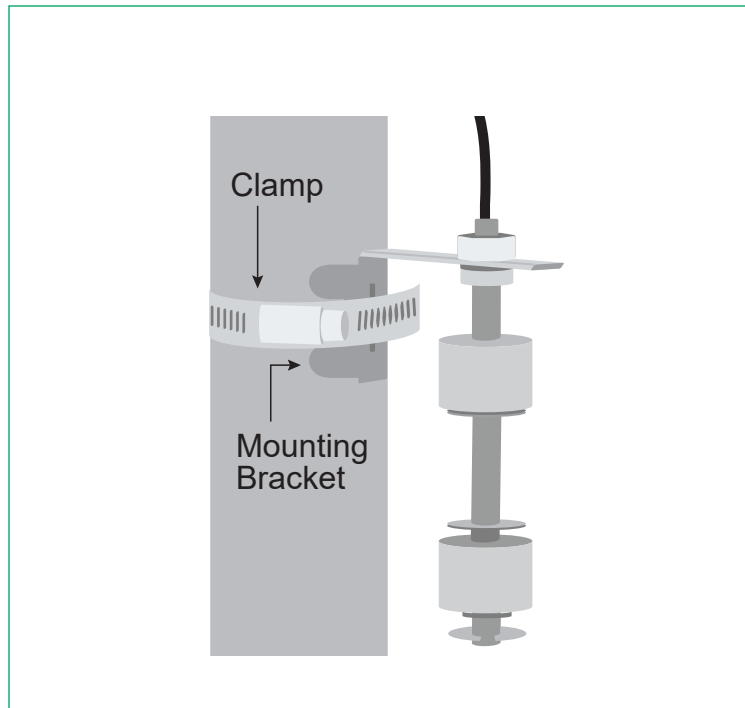
1. Slip the included stainless steel clamp over the backup pump discharge. Press the backup pump into the tee. Tighten the clamp. Thread the check valve into the discharge of the primary pump. Hand tighten.



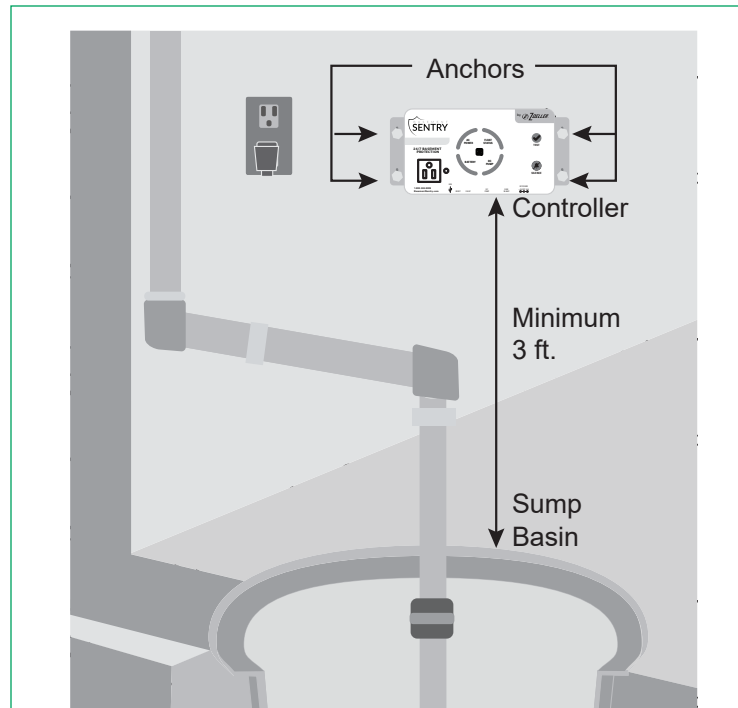
2. Slide the stainless steel clamp over the check valve and slide the tee (slit end down) over the check valve. Tighten clamp over the tee to secure the check valve.



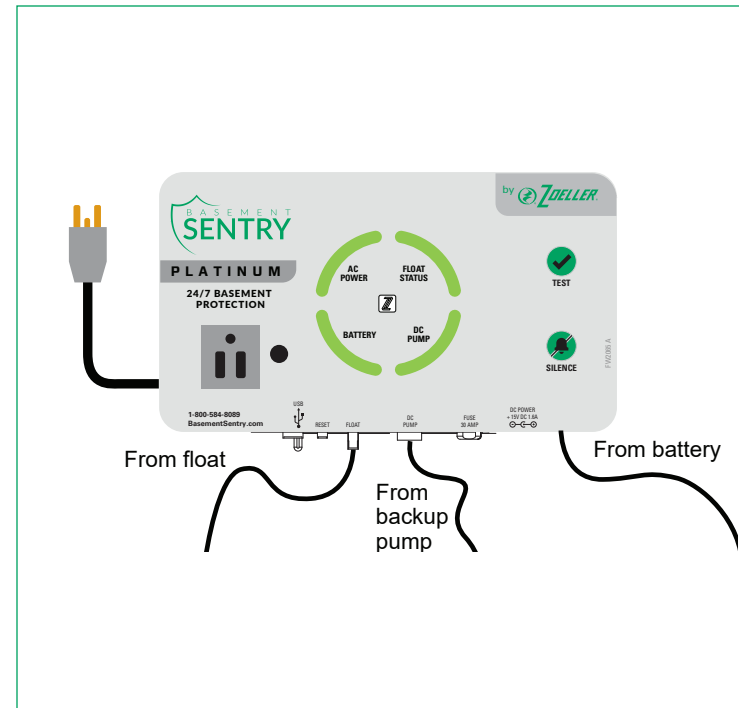
3. Measure the connection from the tee to discharge piping and cut 1-1/2-in Sched 40 PVC to this size. Install 1-1/2-in flex coupling or union between pipe connected to the pump and the discharge piping.



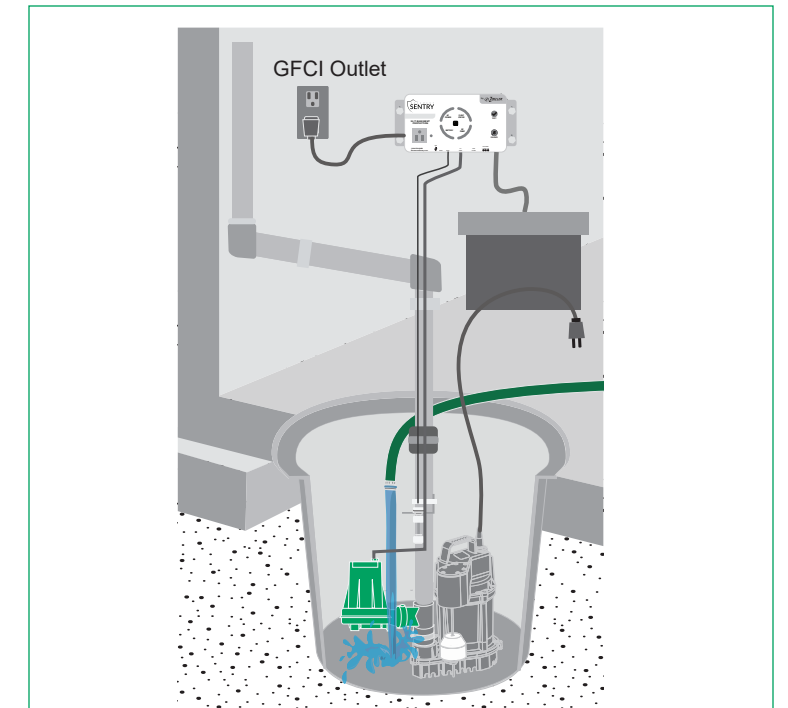
4. Install the dual float assembly on the discharge piping so the 'on' level of the lower float is above the 'on' position of the primary pump. Attach the float to the pipe with the bracket and stainless steel clamp. Be sure the floats are free to move up and down without any interference.



5. Use the included anchors to install the controller. For best cooling, attach to wall. The controller must be installed at least 3 ft. above the sump pit. See separate instructions for WiFi setup.



6. Place the battery inside the battery box and connect the leads from the controller to the battery terminals. Connect positive (+) lead to positive terminal on the battery and black negative (-) lead to the negative battery terminal.



7. Plug the controller into a GFCI-protected 115V outlet. Test for backup pump operation by adding water to the sump basin. Reconnect power to the primary sump pump by plugging into the receptacle on the front of the controller.



# Bomba de sumidero de reserva equipada con WiFi

MODELO #STBB300



A	Bomba de 12 V con junta tórica	D	Válvula de retención con junta tórica
B	Controlador	E	Conector en T
C	Interruptor de flotador doble	F	Abrazaderas para tubería
G	Caja de batería		

**CONSULTE EL MANUAL DE INSTRUCCIONES PARA ADVERTENCIAS IMPORTANTES DE SEGURIDAD.**

