



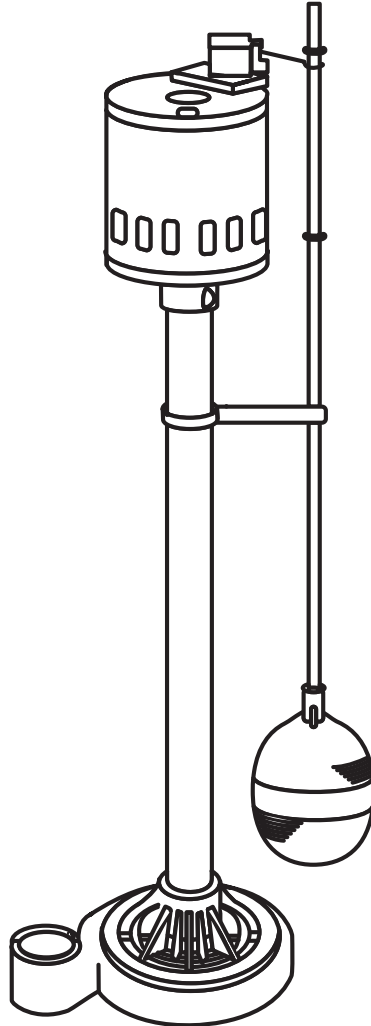
PEDESTAL SUMP PUMP

ZoellerAtHome.com

MODEL #1084-0001

Español p. 11

Zoeller® is a registered trademark of Zoeller Co. All Rights Reserved.



ATTACH YOUR RECEIPT HERE

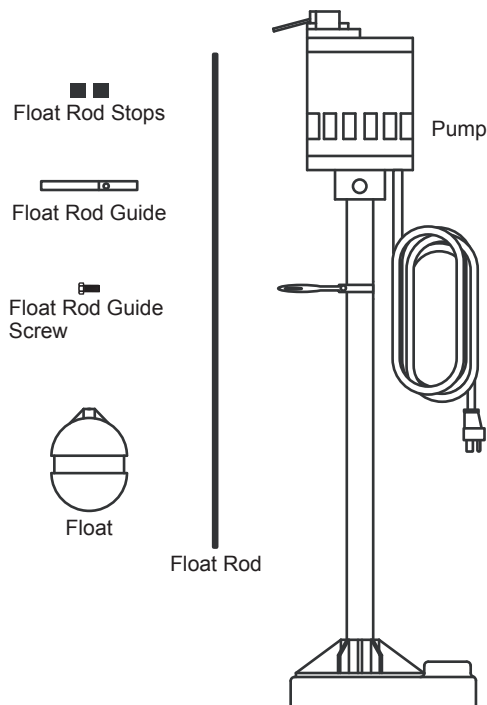
Serial Number _____ Purchase Date _____



Questions, problems, missing parts? Before returning to your retailer, call our customer service department at 1-800-584-8089, 7:30 a.m. - 5:00 p.m., EST, Monday - Friday.

PACKAGE CONTENTS

DESCRIPTION	QUANTITY
Pump	1
Float Rod	1
Float	1
Float Rod Guide	1
Float Rod Guide Screw	1
Float Stops	2



SAFETY INFORMATION

Please read and understand this entire manual before attempting to assemble, operate or install the product.

NOTE: Pumps with the “UL” Mark and pumps with the “US” mark are tested to UL Standard UL778. CSA certified pumps are certified to CSA Standard C22.2 No. 108. (CUS.)

DANGER

• FIRE/EXPLOSION HAZARD.

Pump only clear water. Do not pump flammable or explosive fluids such as gasoline, fuel oil, kerosene, etc. Do not use in a flammable and/or explosive atmosphere. Failure to follow these warnings could result in death or serious injury and/or property damage.

• RISK OF ELECTRIC SHOCK.

These pumps have not been investigated for use in swimming pool and marine areas.


• RISK OF ELECTRIC SHOCK.

Always disconnect power source before attempting to install, service or maintain the pump. Never handle a pump with wet hands or when standing on wet or damp surface or in water. Fatal electrical shock could occur.

• RISK OF ELECTRIC SHOCK.

Keep pump out of reach of children.

WARNING

- **ELECTRICAL SHOCK ALERT.**
Before installing this product, have the electrical circuit checked by an electrician to ensure proper grounding. All electrical installations must conform to the National Electric Code and all local codes.
- **ELECTRICAL SHOCK ALERT.**
Connect this product to a properly-grounded 115 volt circuit equipped with a Ground Fault Circuit Interrupter (GFCI) device. Make sure the electrical supply circuit is equipped with fuses or circuit breakers with a minimum capacity of 15 amps
- **ELECTRICAL SHOCK ALERT.**
Never use an extension cord.
- **ELECTRICAL SHOCK ALERT.**
Never cut off the round grounding plug on the cord. Cutting the cord or plug will void the warranty and keep the pump from operating.
- **ELECTRICAL SHOCK ALERT.**
Do not remove or replace the power cord.
- **ELECTRICAL SHOCK ALERT.**
Protect electrical cord from sharp objects, hot surfaces, oil and chemicals. Avoid kinking the cord.
- **CHEMICAL ALERT.**
Prop65 Warning for California residents:
 **WARNING:** Cancer and Reproductive Harm - www.P65Warnings.ca.gov

CAUTION

- **PERSONAL INJURY OR PRODUCT DAMAGE MAY RESULT**
This pump operates on 115 volts. Make certain that the power source conforms to the requirements of your equipment.
- **PRODUCT DAMAGE MAY RESULT**
The continuous operating water temperature for this pump must not exceed 77°F (25°C).
- **PRODUCT DAMAGE MAY RESULT**
This pump is designed to pump water only. It has not been evaluated for pumping chemicals or corrosive materials.
- **PRODUCT DAMAGE MAY RESULT**
Inspect the pump regularly for damage and perform routine maintenance as needed. Remove any debris that may build up around the on/off operation of the float.
- **PROPERTY or PRODUCT DAMAGE MAY RESULT**
This pump is not designed for pumping effluent or sewage.
- **PRODUCT DAMAGE MAY RESULT**
This pump is not designed for continuous operation.

PREPARATION

Estimated Installation Time: 20 minutes

Materials required for assembly: Sump basin, inlet piping, discharge piping (PVC, poly pipe or galvanized steel), check valve and 2-step PVC glue system (primer and sealer).

SPECIFICATIONS						
MODEL	HP	AMPS	PERFORMANCE IN GALLONS PER MINUTE			
			0 FT.	5 FT.	10 FT.	15 FT.
1084-0001	1/2	7.3	65	59	51	38

GENERAL PUMP INFORMATION

This pump is designed to be installed in a sump basin for removing clear drain water and will usually pass small particles suspended in water. Heavy mud, sand or pea gravel can clog the pump, which can usually be cleaned out by back-flushing with a garden hose through the pump discharge.

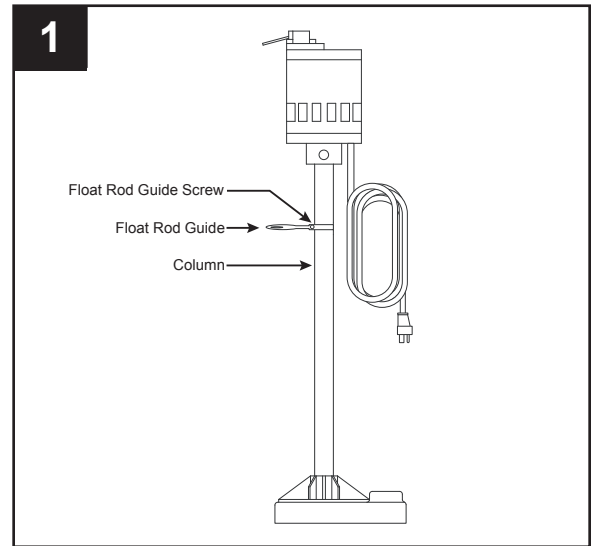
A check valve must be installed in the discharge pipe to keep water from draining back into the sump basin when it is not operating. The sump basin must be at least 18-in deep and 12-in diameter.

NOTES: Before installing pump:

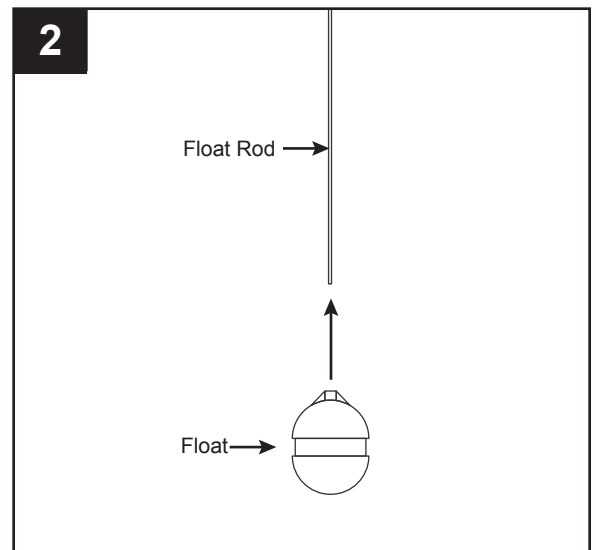
- Have the electrical circuit checked by an electrician to ensure proper grounding.
- Connect pump to a grounded circuit equipped with a ground fault circuit interruptor (GFCI) device.
- BE CERTAIN the pump power source is disconnected before installing or servicing this unit.
- Be sure the sump basin and piping are clear of sand, dirt and scale. Debris will clog pump and void warranty.
- Failure to protect pump and piping from freezing could cause severe damage and will void the warranty.
- Do not run pump dry.

ASSEMBLY INSTRUCTIONS

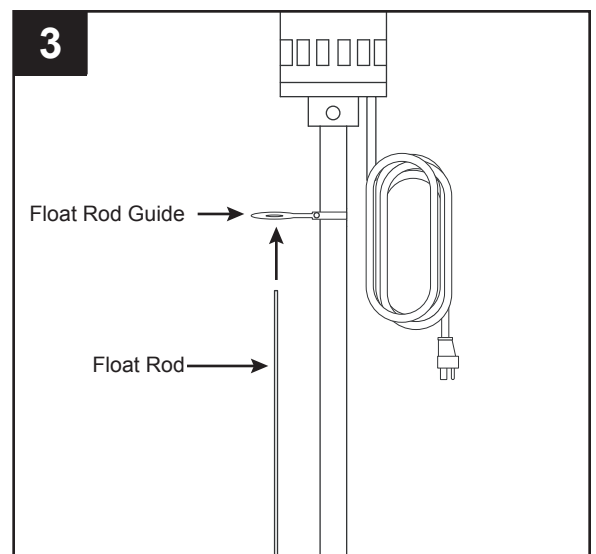
1. Attach the float rod guide to the pump column, about 6 in. below the motor. Clamp the guide to the column with the included screw. **DO NOT OVERTIGHTEN.**



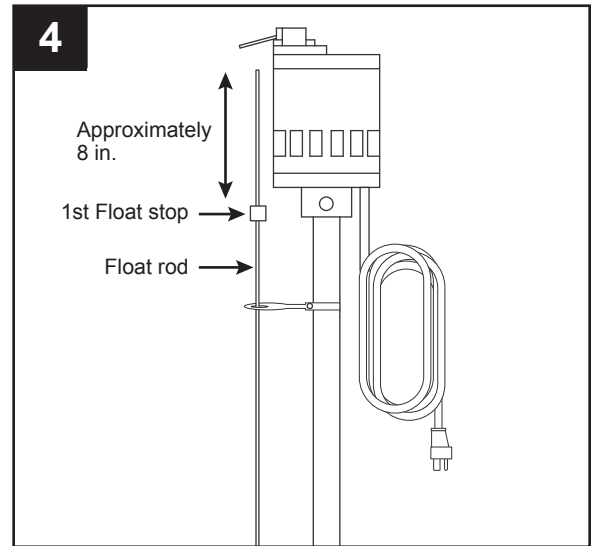
2. Screw float onto the threaded end of the float rod.



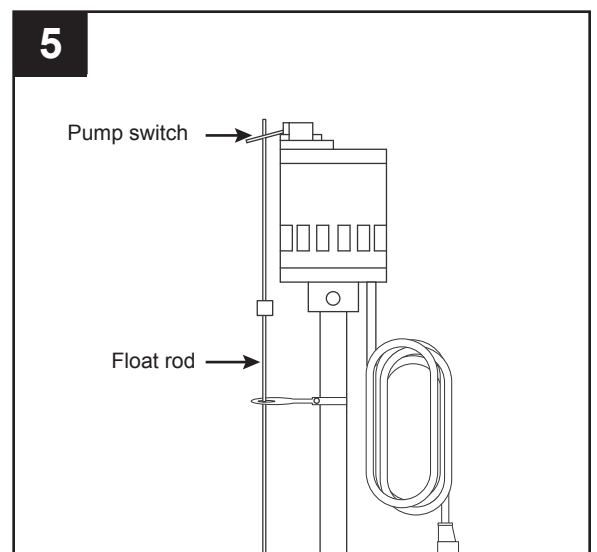
3. Insert the end of the float rod through the eye of the float rod guide.



- Slide the first rubber float rod stop down the float rod to about 8-in from the top of the float rod.



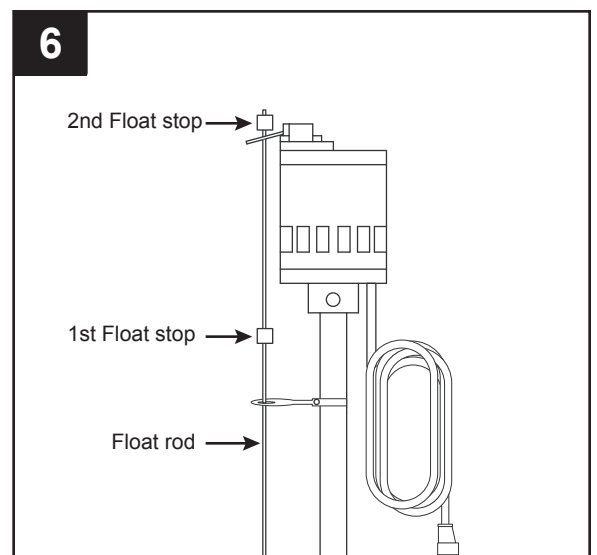
- Slide the float rod through the hole in the pump switch.



- Slide the second rubber float rod stop on to the top of the float rod above the switch.

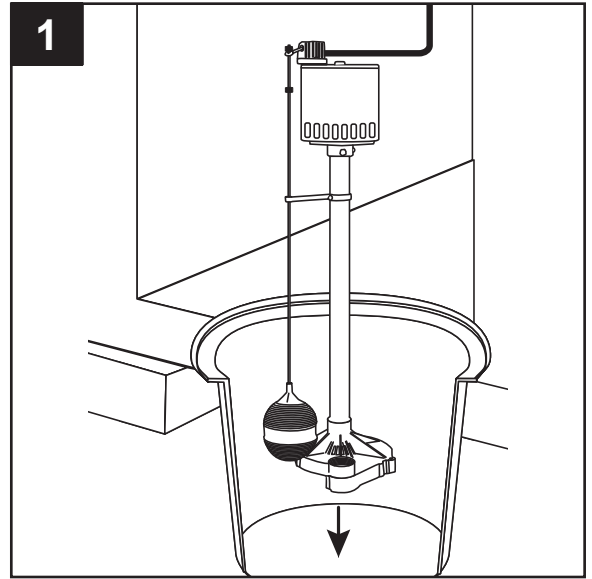
With rubber float rod stops in this position, the pump will turn on at approximately 10 - 12-in and off at 2-1/2-in.

WARNING: Risk of Flooding. Be sure that the float rod is vertical and can move up and down freely. If the float cannot move freely, the pump may not run.



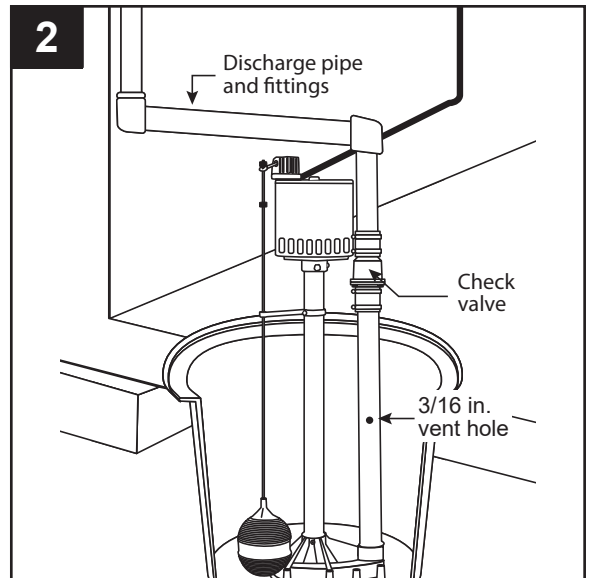
INSTALLATION INSTRUCTIONS

1. Make sure the sump basin is cleared of any debris or sediment, and place pump on a hard surface inside the basin.



2. Connect the discharge pipe, fittings and check valve to pump discharge. The discharge pipe should be the same size as the discharge of pump (1-1/2-in) or larger.

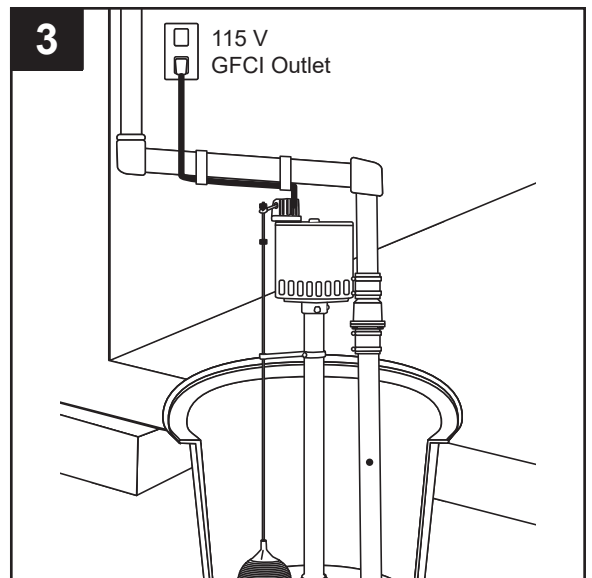
NOTE: Make sure there is enough room in the basin for the float to move freely. If the float is restricted, the pump will not operate.



3. Make sure your hands are dry and you are not standing in water. Connect the pump to a properly-grounded, GFCI electrical outlet.

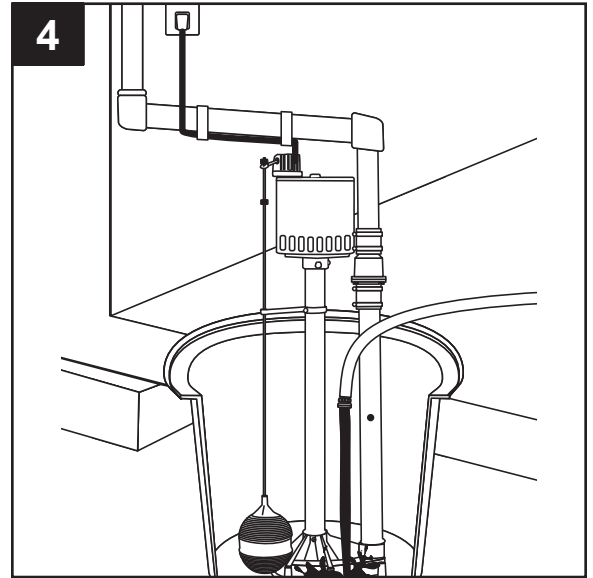
WARNING: Do not use an extension cord.

NOTE: Tape or tie the electrical cord to the discharge pipe to prevent it from interfering with the motion of the float.

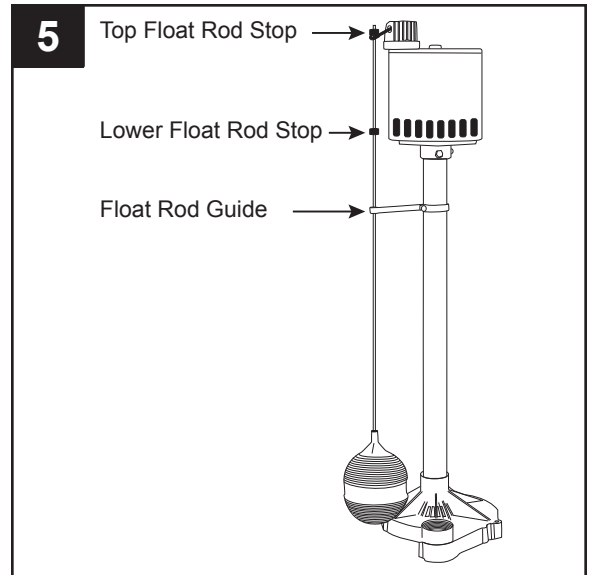


INSTALLATION INSTRUCTIONS

4. Test the operation of the pump by pouring water into the sump basin.



5. If the lower rod stop is positioned 8 in. from the top of the rod, the pump will turn on at approximately 10 in. to 12 in. and off at approximately 2-1/2 in.



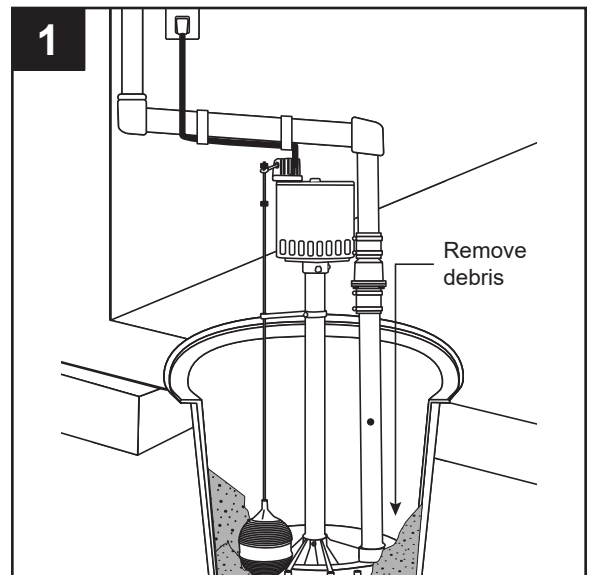
CARE AND MAINTENANCE

WARNING: Always disconnect pump from power source before handling.

At least every three months:

Remove any debris that may build up in the sump basin to prevent it from interfering with the operation of the float switch.

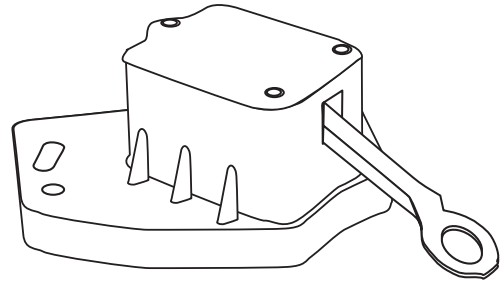
Test system for operation.



REPLACEMENT PARTS LIST

For replacement parts, call our customer service department at 1-800-584-8089, 7:30 a.m. - 5:00 p.m., EST, Monday - Friday.

DESCRIPTION	PART #
Replacement switch	024773



WARRANTY

Subject to the conditions hereinafter set forth, the manufacturer will repair or replace to the original consumer, any portion of the product which proves defective due to defective materials or workmanship. This warranty does not cover replacement parts for failure due to normal wear and tear. To obtain warranty service, contact the dealer from whom the product was purchased. The manufacturer retains the sole right and option to determine whether to repair or replace defective equipment, parts or components. Damage due to conditions beyond the control of the manufacturer is not covered by this warranty.

THIS WARRANTY WILL NOT APPLY:

(a) To defects or malfunctions resulting from failure to properly install, operate or maintain the unit in accordance with printed instructions provided; (b) to failures resulting from abuse, accident or negligence or use of inappropriate chemicals or additives in the water; (c) to normal maintenance services and the parts used in connection with such service; (d) to units which are not installed in accordance with normal applicable local codes, ordinances and good trade practices; and (e) if the unit is used for purposes other than for what it was designed and manufactured.

RETURN OF WARRANTED COMPONENTS:

Any item to be repaired or replaced under this warranty must be returned to the manufacturer at Kendallville, Indiana or such other place as the manufacturer may designate, freight prepaid.

THE WARRANTY PROVIDED HEREIN IS IN LIEU OF ALL OTHER EXPRESS WARRANTIES, AND MAY NOT BE EXTENDED OR MODIFIED BY ANYONE. ANY IMPLIED WARRANTIES SHALL BE LIMITED TO THE PERIOD OF THE LIMITED WARRANTY AND THEREAFTER ALL SUCH IMPLIED WARRANTIES ARE DISCLAIMED AND EXCLUDED. THE MANUFACTURER SHALL NOT, UNDER ANY CIRCUMSTANCES, BE LIABLE FOR INCIDENTAL, CONSEQUENTIAL OR SPECIAL DAMAGES, SUCH AS, BUT NOT LIMITED TO DAMAGE TO, OR LOSS OF, OTHER PROPERTY OR EQUIPMENT, LOSS OF PROFITS, INCONVENIENCE, OR OTHER INCIDENTAL OR CONSEQUENTIAL DAMAGES OF ANY TYPE OR NATURE. THE LIABILITY OF THE MANUFACTURER SHALL NOT EXCEED THE PRICE OF THE PRODUCT UPON WHICH SUCH LIABILITY IS BASED.

This warranty gives you specific legal rights, and you may have other rights which vary from state to state. Some states do not allow limitations on duration of implied warranties or exclusion of incidental or consequential damages, so the above limitations may not apply to you.

In those instances where damages are incurred as a result of an alleged pump failure, the Homeowner must retain possession of the pump for investigation purposes.

TROUBLESHOOTING

DANGER

RISK OF ELECTRIC SHOCK.

Always disconnect power source before attempting to install, service or maintain the pump. Never handle a pump with wet hands or when standing on wet or damp surface or in water. Fatal electrical shock could occur.

PROBLEM	POSSIBLE CAUSE	CORRECTIVE ACTION
Pump will not start or run.	1. Circuit breaker is off or fuse is blown or loose.	1. Reset circuit breaker or replace fuse. If problem continues, contact a professional electrician or plumber.
	2. Water in sump basin is not high enough to cause the switch to turn on.	2. Pump will turn on when water level reaches the proper height.
	3. Pump is not plugged in or is connected to a wall switch that has been turned off.	3. Plug pump securely into GFCI outlet that cannot be turned off by a wall switch.
	4. Float cannot move freely.	4. Remove any obstructions around float.
Pump runs but does not deliver water.	1. Make sure check valve is not installed backwards.	1. Arrow on valve should point away from pump.
	2. Shut-off valve (if used) may be closed.	2. Open shut-off valve.
	3. Impeller, pump inlet, or discharge pipe may be clogged.	3. Remove pump from basin and clean impeller, pump inlet, or pipe.
	4. Vertical pumping distance is too high.	4. Reduce the vertical distance to correspond with the performance chart in the instructions.
Pump runs continuously.	1. Float is stuck in the 'on' position.	1. Make sure the float can move freely.
	2. Float switch is defective.	2. Replace float switch.
Pump runs but delivers little water.	1. Vertical pumping distance is too high.	1. Reduce the vertical distance to correspond with the performance chart in the instructions.
	2. Impeller, pump inlet, or discharge pipe may be clogged.	2. Remove pump from basin and clean impeller, pump inlet, or pipe.
Fuse blows or circuit breaker trips when pump starts.	1. Impeller, pump inlet, or discharge pipe may be clogged.	1. Remove pump from basin and clean impeller, pump inlet, or pipe.
	2. Fuse size or circuit breaker may be too small.	2. Electrical circuit capacity must be 15 amps or higher.
Overload trips.	1. Short in motor.	1. Replace pump.
Noisy pump.	1. Worn bearing.	1. Replace pump.

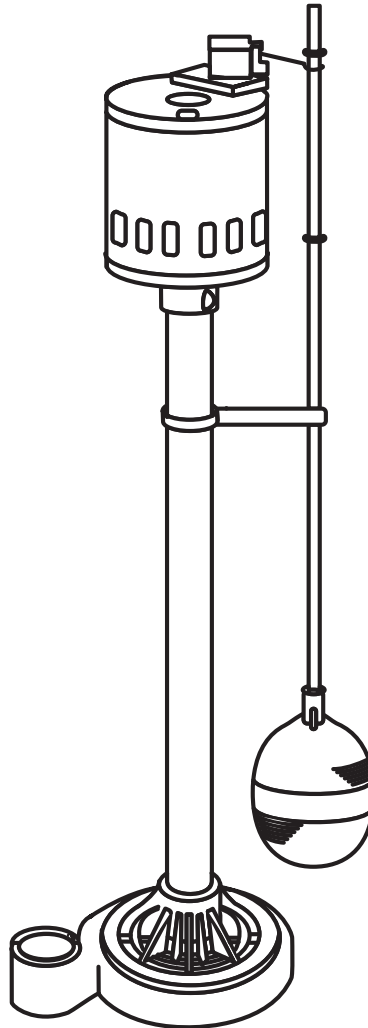


BOMBA DE SUMIDERO DE PEDESTAL

ZoellerAtHome.com

MODELO #1084-0001

Zoeller® es una marca registrada de Zoeller Co. Todos derechos reservados.



ADJUNTE SU RECIBO AQUÍ

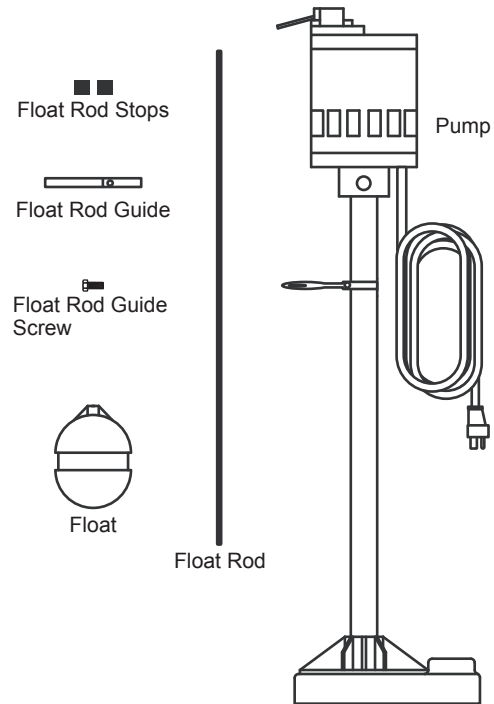
Número de serie _____ Fecha de compra _____



¿Preguntas, problemas, partes faltantes? Antes de acudir al minorista, llame a nuestro departamento de servicio al cliente al 1-800-584-8089, de lunes a viernes de 7:30 a.m. a 5:00 p.m., EST.

CONTENIDO DEL PAQUETE

DESCRIPCIÓN	CANTIDAD
Bomba	1
Varilla del flotador	1
Flotador	1
Guía de la varilla del flotador	1
Tornillo de la guía de la varilla del flotador	1
Topes del flotador	2



! INFORMACIÓN DE SEGURIDAD

Lea y comprenda todo el manual antes de intentar ensamblar, operar o instalar el producto.

NOTA: Las bombas que exhiban la marca “UL”, así como aquellas que exhiban la marca “US”, satisfacen la norma UL778 de Underwriters Laboratory. Las bombas certificadas por la Asociación Canadiense de Normalización (CSA) satisfacen la norma C22.2 de la CSA. 108.

! PELIGRO

- **PELIGRO DE INCENDIO O EXPLOSIÓN..**

Bombee solo agua limpia. No bombee líquidos inflamables o explosivos como gasolina, gasoil, queroseno, etc. No la utilice en una atmósfera inflamable o explosiva. No seguir estas instrucciones puede provocar la muerte, lesiones graves o daños a la propiedad.

- **RIESGO DE DESCARGA ELÉCTRICA.**

No se ha verificado el uso de estas bombas en piscinas ni en zonas marinas.

- **RIESGO DE DESCARGA ELÉCTRICA.**

Desconecte siempre la fuente de alimentación antes de intentar instalar, reparar, reubicar o realizarle mantenimiento a la bomba. Nunca manipule la bomba con las manos mojadas ni cuando esté parado sobre una superficie húmeda o en el agua. Podría ocurrir una descarga eléctrica fatal.

- **RIESGO DE DESCARGA ELÉCTRICA.**

Mantenga la bomba alejada del alcance de los niños.



ADVERTENCIA

- **ALERTA DE DESCARGA ELÉCTRICA.**

Antes de instalar este producto, haga que un electricista revise su circuito para asegurarse de que la puesta a tierra sea adecuada. Todas las instalaciones eléctricas deben cumplir con el Código Nacional de Electricidad (NEC, por sus siglas en inglés) y con todos los códigos locales.

- **ALERTA DE DESCARGA ELÉCTRICA.**

Conecte este producto a un circuito de 115 voltios con la debida puesta a tierra, equipado con un interruptor de circuito de falla de puesta a tierra (GFCI, por sus siglas en inglés). Asegúrese de que el circuito de suministro eléctrico esté equipado con fusibles o interruptores de circuito con una capacidad mínima de 15 amperios.

- **ALERTA DE DESCARGA ENUNCA UTILICE UNA EXTENSIÓN ELÉCTRICA.**

Never use an extension cord.

- **ALERTA DE DESCARGA ELÉCTRICA.**

Nunca corte la pata redonda de puesta a tierra. Cortar el cable o el enchufe anulará la garantía y evitará que la bomba funcione.

- **ALERTA DE DESCARGA ELÉCTRICA.**

No retire ni reemplace el cable eléctrico.

- **ALERTA DE DESCARGA ELÉCTRICA.**

Proteja el cable eléctrico de objetos afilados, superficies calientes, aceite y otras sustancias químicas. Evite torcer el cable.

- **ALERTA DE PRODUCTO QUÍMICO.**

Advertencia de proposición 65 para residentes de california:



Advertencia: Cáncer y Daño Reproductivo – www.P65Warnings.ca.go

PRECAUCIÓN

- **PODRÍAN PRODUCIRSE LESIONES PERSONALES O DAÑOS AL PRODUCTO**

esta bomba funciona con 115 voltios. Asegúrese de que la fuente de alimentación cumpla con los requisitos de su equipo.

- **SE PODRÍAN PROVOCAR DAÑOS EN EL PRODUCTO**

La temperatura de funcionamiento continuo del agua para las bombas de modelo estándar no debe exceder los 77°F (25°C).

- **SE PODRÍAN PROVOCAR DAÑOS EN EL PRODUCTO**

Esta bomba fue diseñada solo para bombear agua. No se ha probado su uso para bombear productos químicos ni materiales corrosivos.

- **SE PODRÍAN PROVOCAR DAÑOS EN EL PRODUCTO**

Revise que bomba no presente daños de manera regular y realícele mantenimiento de rutina cuando sea necesario. Elimine cualquier desecho que pueda acumularse alrededor del sistema de activación/desactivación del flotador..

- **SE PODRÍAN PROVOCAR DAÑOS EN EL PRODUCTO O A LA PROPIEDAD**

Esta bomba no está diseñada para bombear aguas residuales o servidas.

- **SE PODRÍAN PROVOCAR DAÑOS EN EL PRODUCTO**

Esta bomba no está diseñada para su funcionamiento continuo.

PREPARACIÓN

Tiempo estimado de instalación: 20 minutos

Materiales requeridos para el ensamblaje: Materiales necesarios para en ensamblaje: recipiente para sumidero, tubería de entrada, tubería de descarga (PVC, polietileno o acero galvanizado), válvula de retención y sistema de adhesivo para PVC de 2 pasos (cebado y sellado).

ESPECIFICACIONES						
MODELO	HP	AMPERIOS	RENDIMIENTO EN GALONES POR MINUTO			
			0 PIES	5 PIES	10 PIES	15 PIES
1084-0001	1/2	7.3	65	59	51	38

INFORMACIÓN GENERAL ACERCA DE LA BOMBA

Esta bomba está diseñada para instalarse en un recipiente para sumidero para eliminar agua de desagüe limpia y, por lo general, dejará pasar pequeña partículas suspendidas en el agua. El lodo espeso, la arena o la gravilla pueden obstruir la bomba, la que a menudo puede limpiarse si se introduce agua con una manguera para jardín a través de la descarga de la bomba.

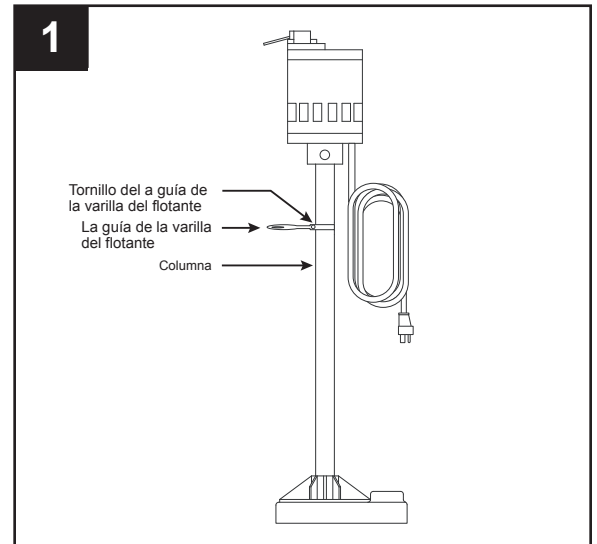
Se debe instalar una válvula de retención en la tubería de descarga para evitar que el agua se devuelva hacia el recipiente del sumidero cuando no esté en funcionamiento. El recipiente del sumidero debe tener al menos 45,72 cm de profundidad y 30,48 cm de diámetro.

NOTAS: Antes de instalar la bomba:

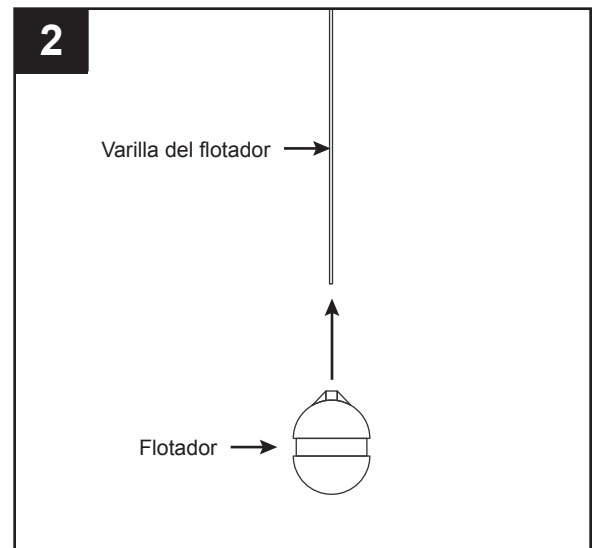
- Haga que un electricista revise el circuito eléctrico para asegurarse de que la puesta a tierra sea adecuada.
- Conecte la bomba a un circuito con puesta a tierra equipado con un interruptor de circuito de falla de puesta a tierra (GFCI).
- Asegúrese de que el recipiente del sumidero y la tubería no tengan arena, suciedad ni sarro. La suciedad obstruirá la bomba y anulará la garantía.
- Si no protege la bomba y la tubería del congelamiento, se podrían producir daños graves y se anulará la garantía.
- No haga funcionar la bomba en seco..

INSTRUCCIONES DE ENSAMBLAJE

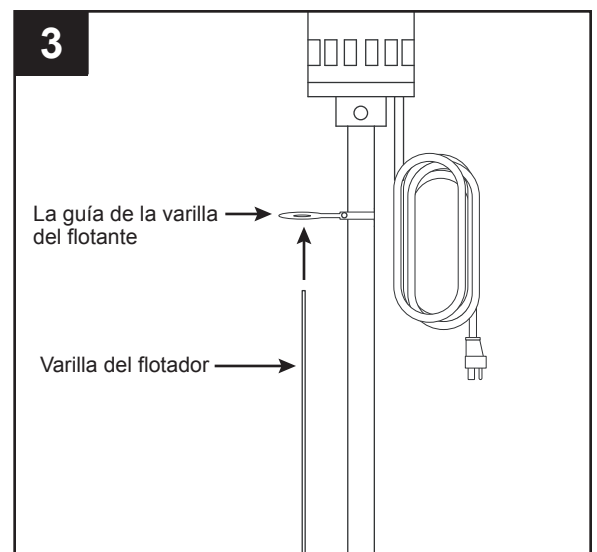
1. Fije la guía de la varilla del flotador a la columna de la bomba, aproximadamente a 15.2 cm (6 pulg.) debajo del motor. Sujete la guía a la columna con el tornillo incluido. **NO APRIETE DEMASIADO.**



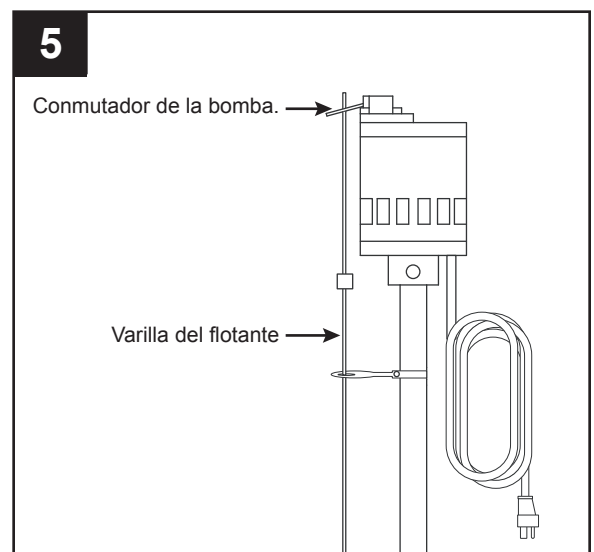
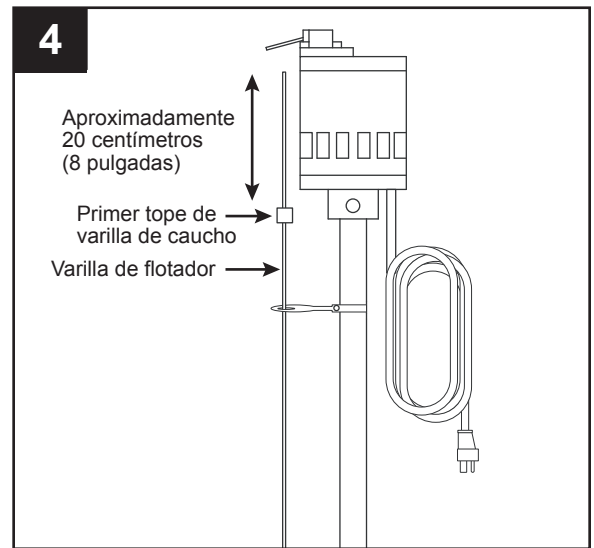
2. Enrosque el flotante por el lado roscado de la varilla.



3. Inserte el extremo de la varilla del flotante a través del ojo de la guía de la varilla.



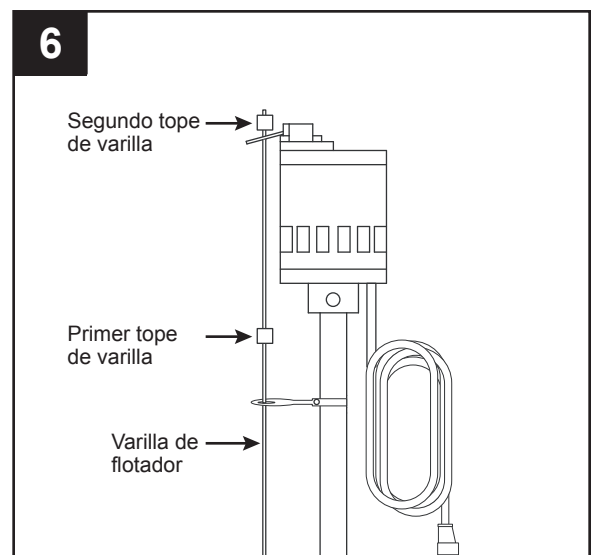
- Deslice el primer tope de goma de la varilla del flotador hacia abajo hasta aproximadamente 20.3 cm (8 pulg.) de la parte superior de la varilla del flotador.



- Deslice el segundo tope de goma hacia la parte superior de la varilla del flotador sobre el interruptor.

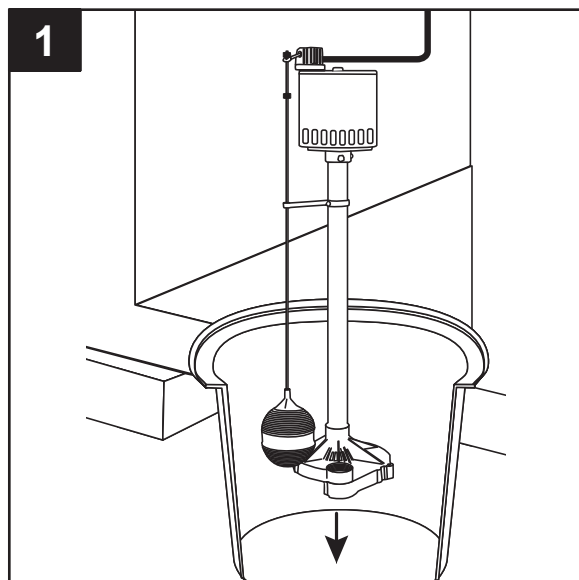
Con los toques de goma de la varilla del flotador en esta posición, la bomba se encenderá aproximadamente de 25.4 a 30.5 cm (10 a 12 pulg.) y a se apagará a 6.4 cm (2-1/2 pulg.).

ADVERTENCIA: riesgo de inundación. Asegúrese de que la varilla del flotador esté vertical y pueda moverse hacia arriba y hacia abajo libremente. Si el flotador no puede moverse libremente, puede que la bomba no funcione.



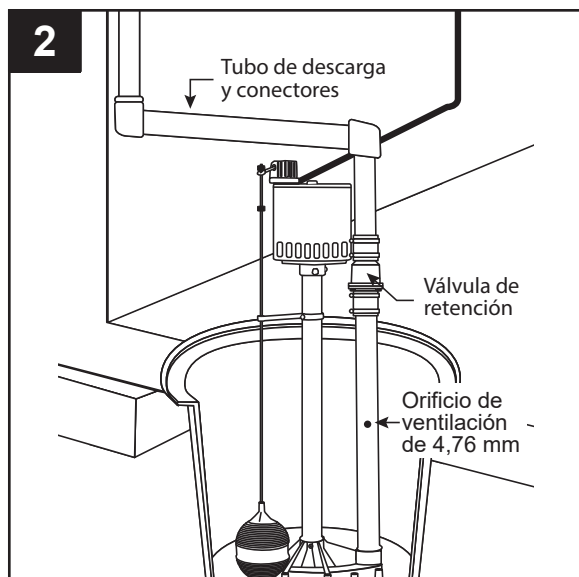
INSTRUCCIONES DE INSTALACIÓN

1. Asegúrese de que el recipiente del sumidero esté libre de suciedad y sedimentos y luego coloque la bomba de sumidero sobre una superficie dura dentro del recipiente.



2. Conecte la tubería de descarga, los conectores y la válvula de retención a la descarga de la bomba. La tubería de descarga debe ser del mismo tamaño que la descarga de la bomba (1-1/2 pulg.) o más grande.

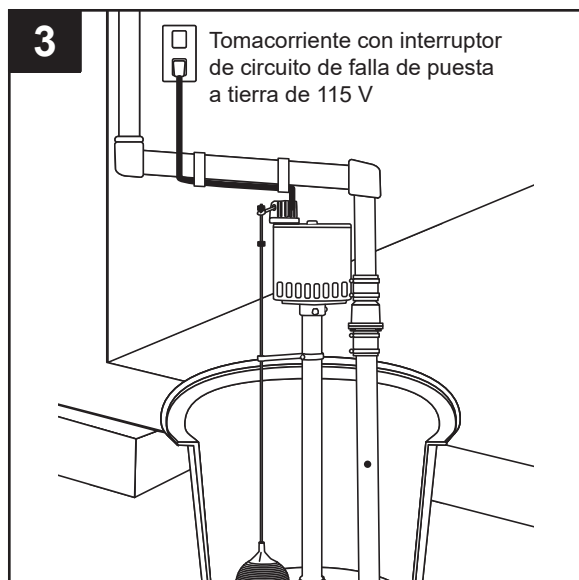
NOTA: Asegúrese de que haya el espacio suficiente en el recipiente para que el flotador se mueva libremente. Si el flotador no se puede mover con libertad, la bomba no funcionará.



3. Asegúrese de tener las manos secas y de no estar parado sobre agua. Conecte la bomba a un tomacorriente con interruptor de circuito de falla de puesta a tierra (GFCI) con la debida puesta a tierra.

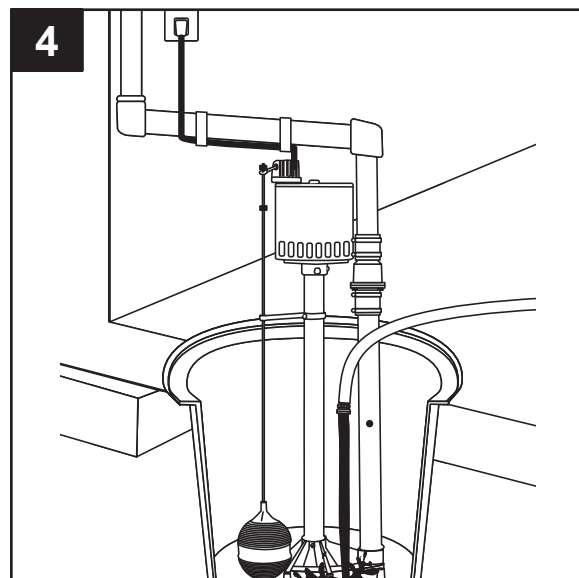
ADVERTENCIA: no utilice una extensión eléctrica.

NOTA: una con cinta adhesiva el cable eléctrico a la tubería de descarga para evitar que interfiera con el movimiento del flotador.

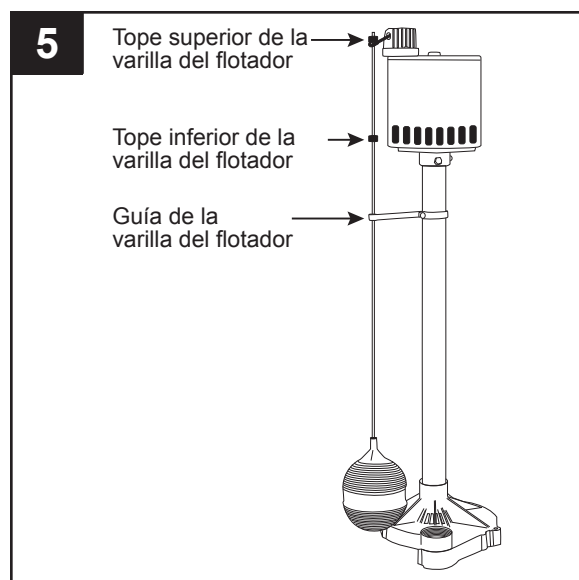


INSTRUCCIONES DE INSTALACIÓN

4. Para probar el funcionamiento de la bomba, vierta agua en el recipiente del sumidero.



5. Si el tope de la varilla inferior se coloca a 20,32 cm de la parte superior de la varilla, la bomba se encenderá a aproximadamente 25,4 cm a 30,48 cm y se apagará aproximadamente a 6,35 cm.



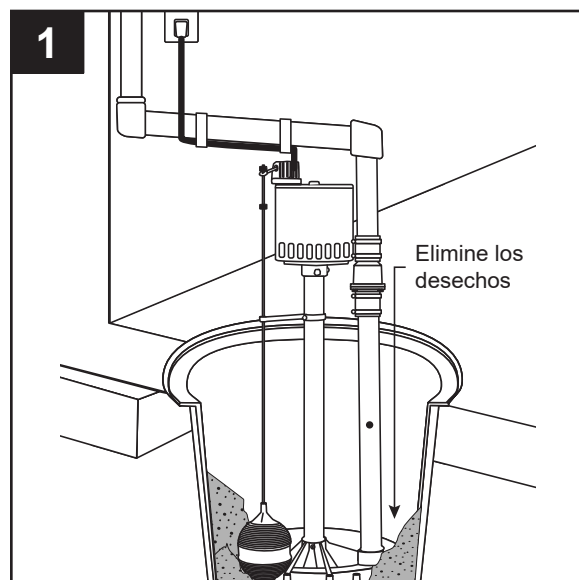
CUIDADO Y MANTENIMIENTO

ADVERTENCIA: siempre desconecte la bomba de la fuente de alimentación antes de manipularla..

Al menos cada tres meses:

Elimine cualquier desecho que pueda haberse acumulado en el recipiente del sumidero para evitar que interfieran con el funcionamiento del interruptor del flotador.

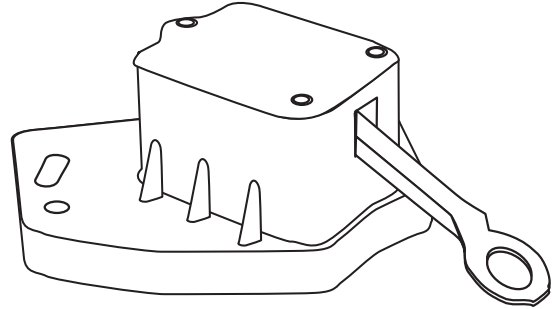
Pruebe el funcionamiento del sistema.



PIEZAS DE REPUESTO

Para obtener piezas de repuesto, llame a nuestro departamento de servicio al cliente al 1-800-584-8089, de lunes a viernes de 7:30 a.m. a 5:00 p.m., Hora del Este.

DESCRIPCIÓN	PIEZA NO.
Interruptor de repuesto	024773



GARANTÍA

Consulte la documentación del producto para conocer el período de garantía específico

Sujeto a las condiciones establecidas en el presente, el fabricante reparará o reemplazará, para el consumidor original, cualquier parte del producto que se compruebe que está defectuosa debido a defectos en los materiales o la mano de obra. Esta garantía no cubre las piezas de repuesto por falla debido a desgaste normal. Para obtener los servicios de garantía, póngase en contacto con el distribuidor donde adquirió el producto. El fabricante se reserva el derecho y la opción exclusivos de determinar la reparación o el reemplazo de equipos, piezas o componentes defectuosos. Los daños causados por condiciones que escapen del control del fabricante no están cubiertos por esta garantía.

ESTA GARANTÍA NO SE APLICARÁ:

(a) a defectos o mal funcionamiento como resultado de una falla en la instalación, operación o mantenimiento de la unidad según lo indicado en las instrucciones impresas provistas; (b) a los fallos resultantes del abuso, accidentes o negligencia o uso inapropiado de productos químicos o aditivos en el agua, (c) a los servicios de mantenimiento normativos y las piezas utilizadas en conexión con dichos servicios; (d) a unidades que no se instalaron según los códigos normativos locales, las ordenanzas o las buenas prácticas comerciales aplicables; y (e) si la unidad se utiliza para fines para los cuales no está destinada ni fabricada.

DEVOLUCIÓN DE COMPONENTES EN GARANTÍA: Cualquier elemento a ser reparado o reemplazado bajo esta garantía debe ser devuelto al fabricante en Kendallville, Indiana o a cualquier otro lugar que el fabricante pueda designar, con flete prepago.

LA GARANTÍA QUE SE PROPORCIONA EN EL PRESENTE REEMPLAZA A TODAS LAS DEMÁS GARANTÍAS EXPLÍCITAS Y NO PUEDE SER EXTENDIDA NI MODIFICADA POR NADIE. CUALQUIER GARANTÍA IMPLÍCITA ESTARÁ LIMITADA AL PERÍODO DE LA GARANTÍA LIMITADA Y, POR CONSIGUIENTE, SE RECHAZAN Y SE EXCLUYEN TODAS DICHAS GARANTÍAS IMPLÍCITAS. BAJO NINGUNA CIRCUNSTANCIA, EL FABRICANTE SERÁ RESPONSABLE DE DAÑOS ACCIDENTALES, RESULTANTES O ESPECIALES, INCLUIDOS, ENTRE OTROS, LOS DAÑOS A LA PROPIEDAD O AL EQUIPO, O LA PÉRDIDA DE ESTOS, LA PÉRDIDA DE GANANCIAS, INCONVENIENTES U OTROS DAÑOS ACCIDENTALES O RESULTANTES DE CUALQUIER TIPO O NATURALEZA. LA RESPONSABILIDAD DEL FABRICANTE NO SUPERARÁ EL PRECIO DEL PRODUCTO SOBRE EL CUAL SE BASA DICHA RESPONSABILIDAD.

Esta garantía le otorga derechos legales específicos, pero usted podría tener otros derechos que varían según el estado. Algunos estados no permiten las limitaciones sobre la duración de las garantías implícitas, o la exclusión de los daños accidentales o resultantes, de modo que las limitaciones mencionadas anteriormente podrían no aplicarse en su caso.

En aquellas instancias en que haya daños causados por una presunta falla de la bomba, el propietario deberá conservar la bomba a fin de investigar dicha falla.

SOLUCIÓN DE PROBLEMAS



PELIGRO

RIESGO DE DESCARGA ELÉCTRICA.

Desconecte siempre la fuente de alimentación antes de intentar instalar, reparar o realizarle mantenimiento a la bomba. Nunca manipule una bomba con las manos mojadas ni cuando esté parado sobre una superficie húmeda o en el agua. Podría ocurrir una descarga eléctrica fatal.

PROBLEMA	CAUSA POSIBLE	ACCIÓN CORRECTIVA
La bomba no enciende ni funciona.	1. El interruptor de circuito está desconectado o se quemó o aflojó un fusible.	1. Restablezca el interruptor de circuito o reemplace el fusible. Si el problema persiste, póngase en contacto con un electricista o plomero profesional.
	2. El agua en el recipiente del sumidero no está lo suficientemente alta como para activar el interruptor.	2. La bomba se encenderá cuando el nivel del agua alcance la altura adecuada.
	3. La bomba no está enchufada o está conectada a un interruptor de pared que está apagado.	3. Enchufe la bomba en el tomacorriente con interruptor de circuito de falla de puesta a tierra (GFCI) que no puede apagarse mediante un interruptor de pared.
	4. El flotador no se mueve libremente.	4. Retire cualquier obstrucción alrededor del flotador.
La bomba funciona pero no sale agua.	1. Asegúrese de que la válvula de retención no esté instalada al revés.	1. La flecha en la válvula debe apuntar hacia fuera de la bomba.
	2. La válvula de cierre está (si está usando una) está cerrada..	2. Abra la válvula de cierre.
	3. El impulsor, la entrada de la bomba o la tubería de descarga pueden estar obstruidos.	3. Extraiga la bomba del recipiente y limpie el impulsor, la entrada de la bomba o la tubería.
	4. La distancia vertical de bombeo es muy alta.	4. Reduzca la distancia vertical según la que corresponda a la indicada en la tabla de rendimiento en las instrucciones.
La bomba funciona de manera continua.	1. El flotador está atascado en la posición 'on' (encendido).	1. Asegúrese de que el flotador pueda moverse libremente.
	2. El interruptor del flotador está defectuoso.	2. Reemplace el interruptor de flotador.
La bomba funciona pero sale poca agua.	1. La distancia vertical de bombeo es muy alta.	1. Reduzca la distancia vertical según la que corresponda a la indicada en la tabla de rendimiento en las instrucciones.
	2. El impulsor, la entrada de la bomba o la tubería de descarga pueden estar obstruidos.	2. Extraiga la bomba del recipiente y limpie el impulsor, la entrada de la bomba o la tubería.
Cuando la bomba arranca, el fusible se quema o el interruptor de circuito se dispara.	1. El impulsor, la entrada de la bomba o la tubería de descarga pueden estar obstruidos.	1. Extraiga la bomba del recipiente y limpie el impulsor, la entrada de la bomba o la tubería.
	2. El tamaño del fusible o del interruptor de circuito) podría ser demasiado pequeño.	2. La capacidad del circuito eléctrico debe ser de 15 amperios o más.
Se activa cuando hay sobrecarga.	1. Hay un cortocircuito en el motor.	1. Reemplace la bomba.
Bomba ruidosa.	1. Los rodamientos están desgastados.	1. Reemplace la bomba.