



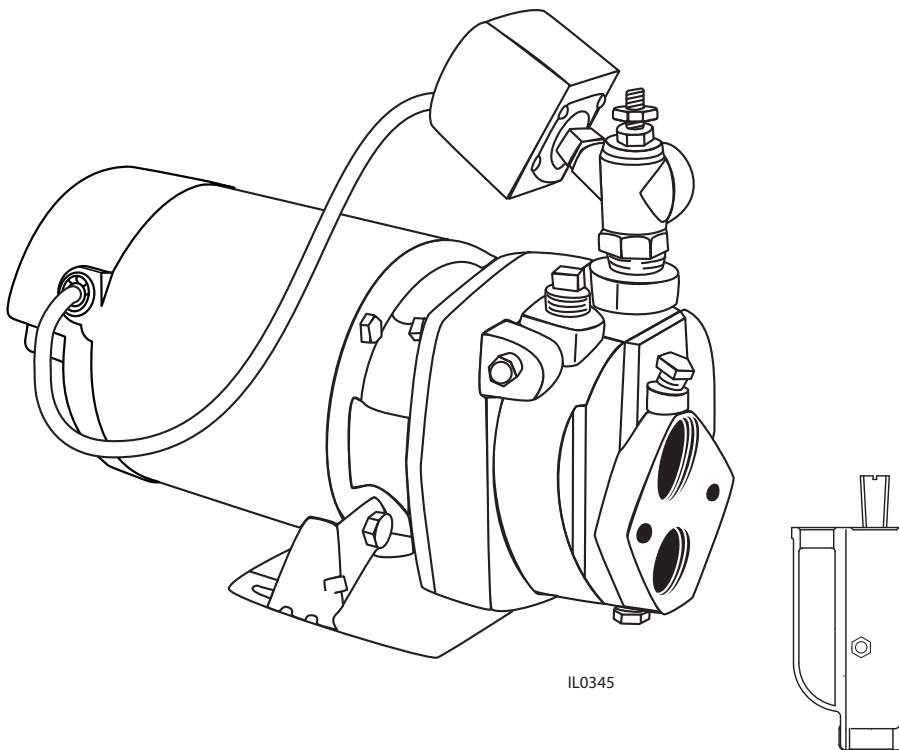
ZoellerAtHome.com

CAST IRON CONVERTIBLE JET PUMP

MODEL #1463-0006

Zoeller® is a registered trademark of
Zoeller Co. All Rights Reserved.

INSTRUCTIONS FOR DEEP WELL INSTALLATION (25-70 FT.)



ATTACH YOUR RECEIPT HERE

Serial Number _____ Purchase Date _____



Questions, problems, missing parts? Before returning to your retailer, call our customer service department at 1-800-584-8089, 7:30 a.m. - 5:00 p.m., EST, Monday - Friday.

PRODUCT SPECIFICATIONS

Power supply required.....	115 volts or 230 volts, 60 Hz
(Pump is set by the factory to run on 230 volts)	
Maximum water temperature.....	77°F (25°C)
Individual branch circuit required.....	15 Amp minimum
Discharge connection.....	1 in. NPT
Suction connection.....	1-1/4 in. NPT
Motor duty.....	Continuous duty with enforced air cooling and thermal overload protection
Pressure switch.....	Preset at 20 PSI “on” / 40 PSI “off”
Water depth rating - Deep Well.....	Maximum of 70 ft

ITEM #	HP	VOLTAGE	HZ	MAX AMPS	LOCKED ROTOR AMPS	PERFORMANCE AT 40 PSI - GPM				
						DEEP WELL				
						30 FT	40 FT	50 FT	60 FT	70 FT
1463-0006	1	115/230	60	14/7	52/26	10.6	7.9	7.3	5.7	4.6



SAFETY INFORMATION

Please read and understand this entire manual before attempting to assemble, operate, or install the product.

- **NOTE:** Pumps with the “UL” Mark and pumps with the “US” mark are tested to UL Standard UL778. CSA certified pumps are certified to CSA Standard C22.2 No. 108. (CUS.)



DANGER


- **ELECTRICAL SHOCK HAZARD.**
Always disconnect power source before performing any work on or near the motor or its connected load. If the power disconnect point is out-of-sight, lock it in the open position and tag it to prevent unexpected application of power. Failure to do so could result in fatal electrical shock.
- **ELECTRICAL SHOCK HAZARD.**
Do not handle the pump with wet hands or when standing in water as fatal electrical shock could occur. Disconnect main power before handling unit for ANY REASON!
- **RISK OF ELECTRIC SHOCK.**
These pumps have not been investigated for use in swimming pool areas.



WARNING

- **ELECTRICAL SHOCK ALERT.**
Follow all local electrical and safety codes, as well as the National Electrical Code (NEC) and the Occupational Safety and Health Act (OSHA).
- **ELECTRICAL SHOCK ALERT.**
Replace damaged or worn wiring cord immediately. Never use an extension cord.
- **ELECTRICAL SHOCK ALERT.**
Do not kink power cable and never allow the cable to come in contact with oil, grease, hot surfaces, or chemicals.
- **ELECTRICAL SHOCK ALERT.**
Wire motor to correct supply voltage. This pump has a dual voltage motor and can run on 115 V or 230 V. It is factory pre-set to run on 230 V.
- **ELECTRICAL SHOCK ALERT.**

Unit must be securely and adequately electrically grounded. This can be accomplished by wiring the unit to a ground metal-clad raceway system or by using a separate ground wire connected to the bare metal of the motor frame or other suitable means.

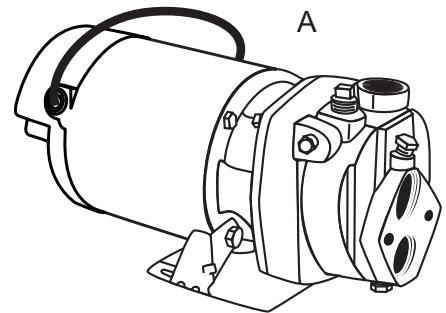
- **ELECTRICAL SHOCK ALERT.**
Make certain the electrical power source is adequate for the requirements of the pump.
- **ELECTRICAL SHOCK ALERT.**
Never use an extension cord with this pump.
- **CHEMICAL ALERT.**
Prop65 Warning for California residents:
 **WARNING:** Cancer and Reproductive Harm - www.P65Warnings.ca.gov
- **HAZARDOUS PRESSURE ALERT.**
Install pressure relief valve in discharge pipe. Release all pressure on system before working on any component.
- **EXPLOSION ALERT**
Do not use to pump flammable or explosive fluids such as gasoline, fuel oil, kerosene, etc. Do not use in flammable and/or explosive atmospheres.

CAUTION

- **PRODUCT DAMAGE MAY RESULT**
This pump is not to be used for irrigation or water systems.
- **PRODUCT DAMAGE MAY RESULT**
Protect the power cable from coming in contact with sharp objects.
- **PRODUCT DAMAGE MAY RESULT**
Do not run pump dry.
- **PRODUCT DAMAGE MAY RESULT**
Pump and plumbing must be full of water before startup.
- **PRODUCT DAMAGE MAY RESULT**
Do not pump water which contains sand, mud, silt, or debris.
- **INJURY MAY RESULT**
Be careful when touching the exterior of an operating motor. It may be hot enough to be painful or cause injury.

PACKAGE CONTENTS

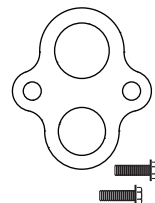
	Description	Quantity
A	Pump	1
B	Ejector	1
C	Gasket	1
D	Bolts	2
E	20/40 Pressure Switch	1
F	Control Body	1
G	Control Body Adjustment Screw	1
H	Strain Relief	1
I	1" x 3/4" PVC Adapter	1



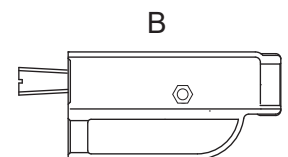
H



I

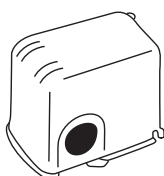


C



B

D



E



F



G

PREPARATION

Before beginning installation of product, make sure all parts are present. If any part is missing or damaged, do not attempt to assemble the product. Compare parts to package contents list.

Estimated Installation Time: 2 hours.

Tools Required for New Installation (not included): pipe wrenches (2), wire strippers, needle-nose pliers, Phillips screwdriver, wire cutters, adjustable wrench, 2-step PVC glue system (primer and sealer), thread tape, tire gauge and tire pump

Parts Required for New Installation (not included): 1-1/4 in. union, 1-1/4 in. adapter, 1-1/4 in. elbow, 3/4 in. union, 1 in. adapter, 1 in. x 3/4 in. reducer bushing, 3/4 in. adapter, 1 in. elbow, 1-1/4 in. check valve, 3/4 in. tee (plastic), 3/4 in. tee (steel), 3/4 in. x 3 in. nipple (steel), 3/4 in. plug (steel), foot valve, electric cord strain relief, 100 psi pressure gauge (qty 2).

GENERAL PUMP INFORMATION

Ventilation - Ventilation and drainage must be provided to prevent damage to the motor from heat and moisture.

Freezing - Pump and all piping must be protected from freezing. If freezing weather is forecast, drain pump or remove completely from the system.

Water Supply - The water source must be able to supply enough water to satisfy the capacity of pump and water needs. See Performance Chart on page 2.

Suction Lift - Suction lift is the vertical distance from the lowest level of the water to the pump intake. See Performance Chart on page 2.

Horizontal Distance - The horizontal distance is the horizontal measurement between pump suction and the water source. This distance may affect the ability of pump to operate. If it is more than 100 ft., call the manufacturer for assistance: 1-800-584-8089.

Wire Size:

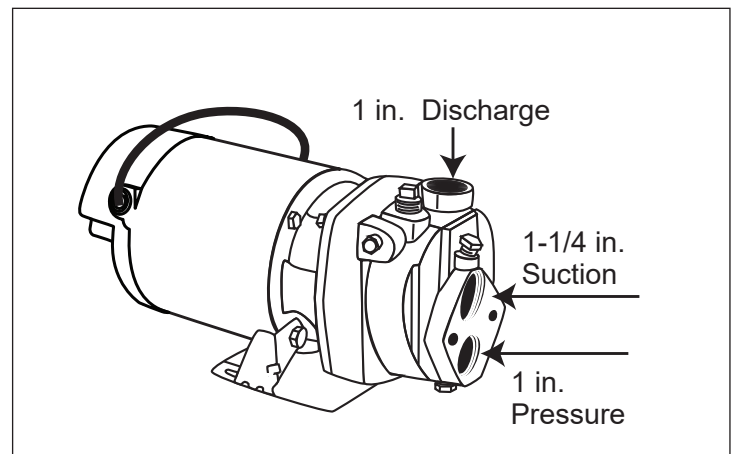
The wire size is determined by the distance from the power source to the pump motor and the horsepower rating of the motor. See the wire chart in ELECTRICAL CONNECTIONS for proper wire size.

Wire Size Chart	
Recommended Copper Wire and Fuse Sizes	
Distance from Motor to Meter	1 HP
0-50'	
115 V	10 GA
230 V	14 GA
50-100'	
115 V	10 GA
230 V	14 GA
100-150'	
115 V	10 GA
230 V	12 GA
150-200'	
115 V	8 GA
230 V	12 GA
200-300'	
115 V	6 GA
230 V	10 GA
Fuse Size	Amps
115 V	30
230 V	15

Pipe And Fittings

Use galvanized steel or NSF PW Schedule 40 PVC pipe and fittings. This material is designed for water pressure and will seal against air and water under pressure. Do Not Use: DWV fittings, as these are designed for drains without pressure and will not seal properly.

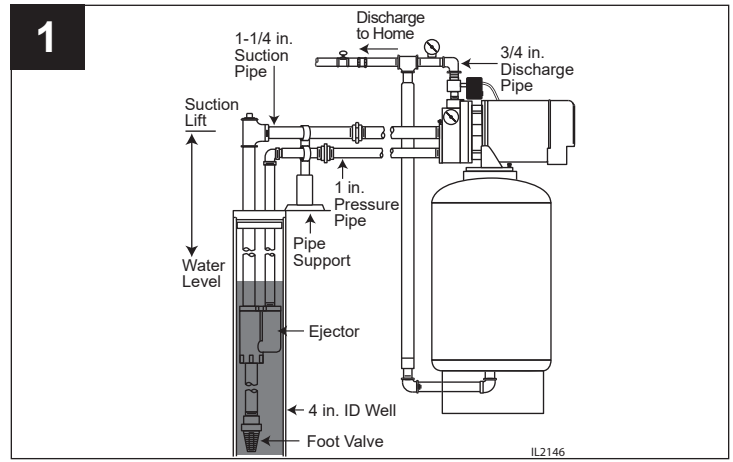
CAUTION: The entire system must be air and water tight for efficient operation and to maintain prime.



Typical Pump Setup

1. Deep wells (25 - 70 ft. lift) where well ID is 4" or more and a two pipe ejector is installed in the well.

(FOR WELL DEPTHS OF 0-25 FT., SEE INSTRUCTIONS 025409)



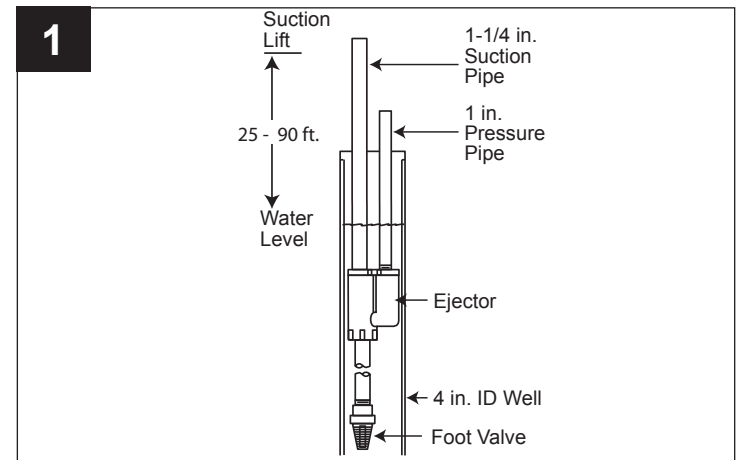
INSTALLING PIPING IN WELL - DEEP WELL

CAUTION: Dry-fit entire assembly to ensure proper fit before gluing or taping parts.

CAUTION: Follow all proper gluing procedures as specified by the glue manufacturer. Always glue in a vertical direction whenever possible to prevent glue from dripping inside pipe or fittings

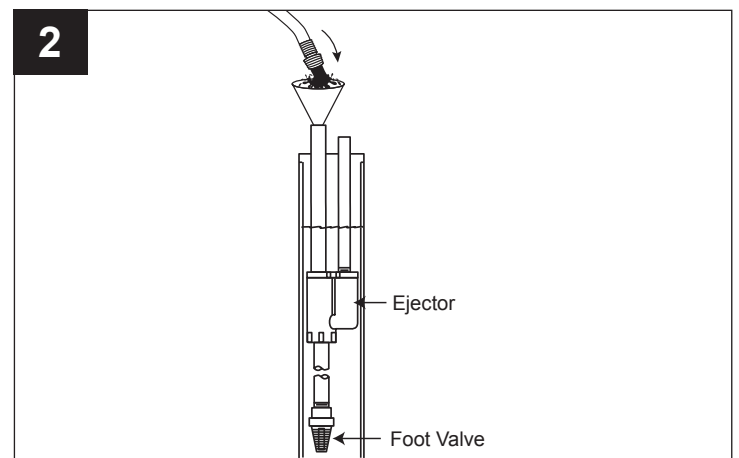
CAUTION: Use pipe tape and pipe paste compound on all male threads. Tighten with wrench to a snug fit
NOTE: REPLACE EJECTOR WHEN REPLACING PUMP.

1. Attach the foot valve to the ejector using a galvanized steel or plastic nipple. Add enough 1 in. pressure pipe and 1-1/4 in suction pipe to submerge ejector 10 to 15' below pumping water level, making certain foot valve is at least five (5) feet from bottom of well. If pressure pipe and suction pipe of the same diameter are used, be sure to identify them clearly so that they will be connected to the proper tappings of the pump. If a known well leak exists, replace nipple with 21 feet of 1-1/4 in. tail pipe between the ejector and the foot valve. This will provide a continuous source of water for the pumping system.



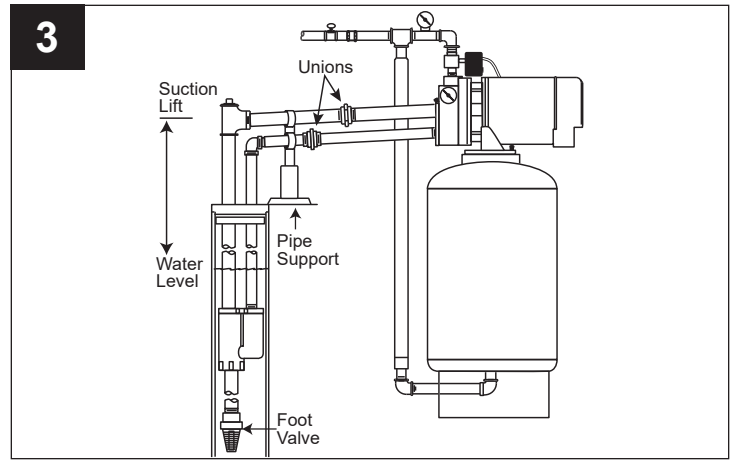
2. Check pipe and foot valve for leaks by filling pipes with water. A continuous loss of water indicates a leak in the piping, foot valve, or unions, and must be corrected.

If no leaks are found, proceed to **WELL TO PUMP CONNECTION (SUCTION PIPE).**



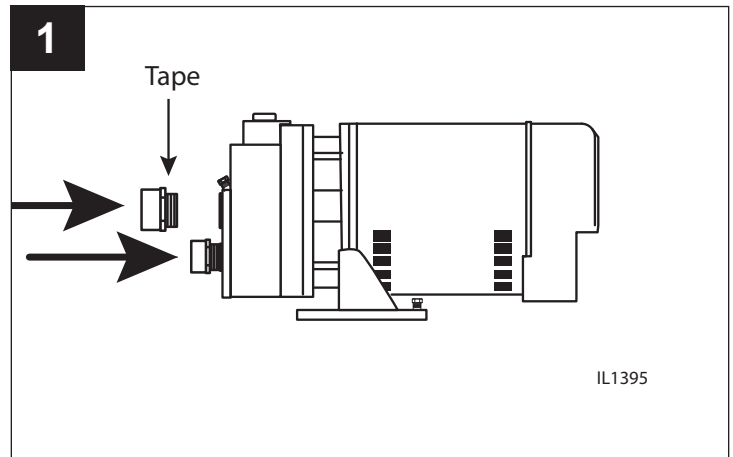
- All piping from the well to the pump should slope slightly upward with no sagging. Support suction pipe between water source and pump. Unions in the suction line near the pump and well will aid in servicing. Be sure to leave enough room so that wrenches can be used easily.

Replace foot valve for best performance.



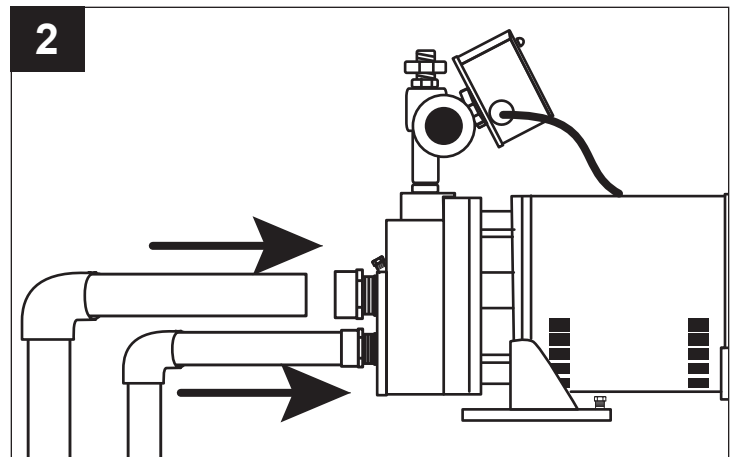
WELL TO PUMP CONNECTION (SUCTION PIPE) - DEEP WELL

- Make the connection to your well. Wrap all threaded fittings with pipe tape 2 to 3 times or apply a pipe paste (pipe dope) to ensure an air tight connection.



IL1395

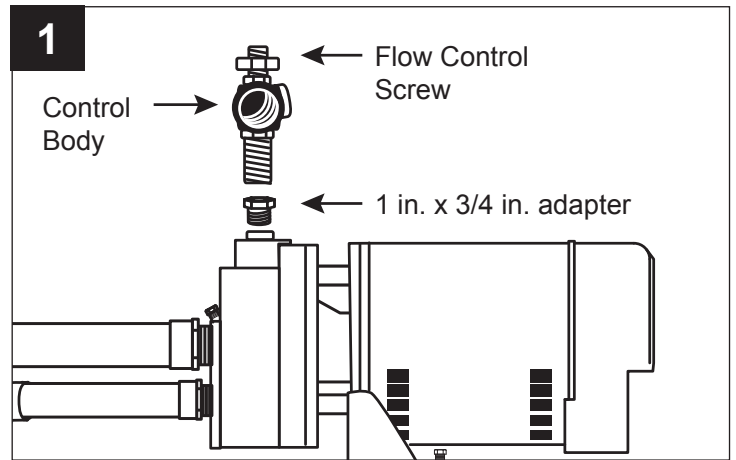
- Finish the connection to your well with additional pipe and fittings as needed.



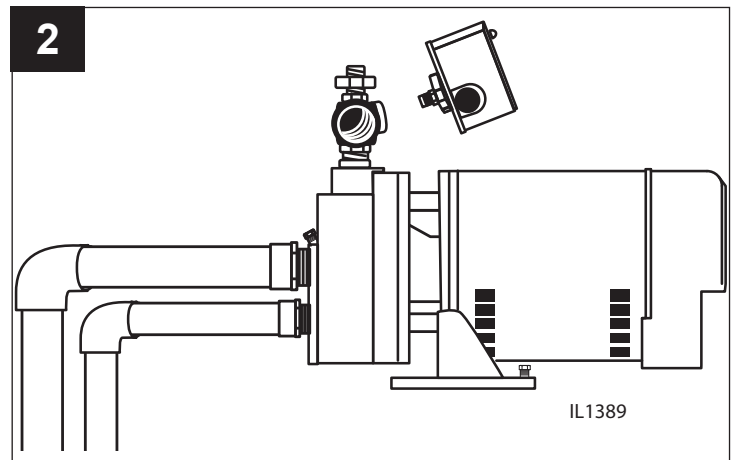
PUMP TO PRESSURE TANK CONNECTION (DISCHARGE PIPE) - DEEP WELL

FOR DEEP WELL APPLICATIONS 25 - 70 FT.

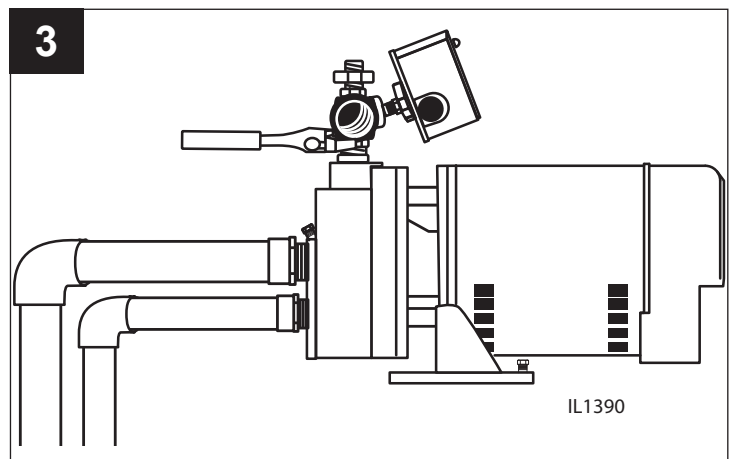
1. To begin the connection to the pressure tank, install the 1 in x 3/4 in adapter (included) to pump discharge. Install flow control body to adapter. Using Teflon tape, position the discharge outlet of the control body facing right as you look directly into the face of the pump



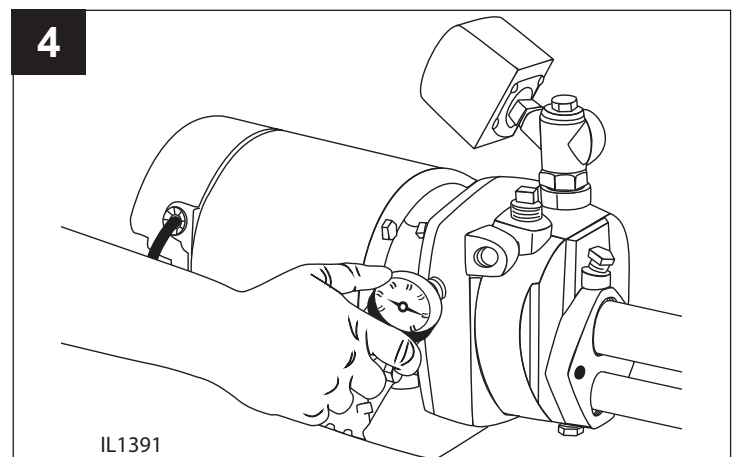
2. Assemble the pressure switch in the 1/4" tapping adjacent and to the right of the discharge outlet of the control valve. Refer to Pump Electrical Connection section for pressure switch wiring.



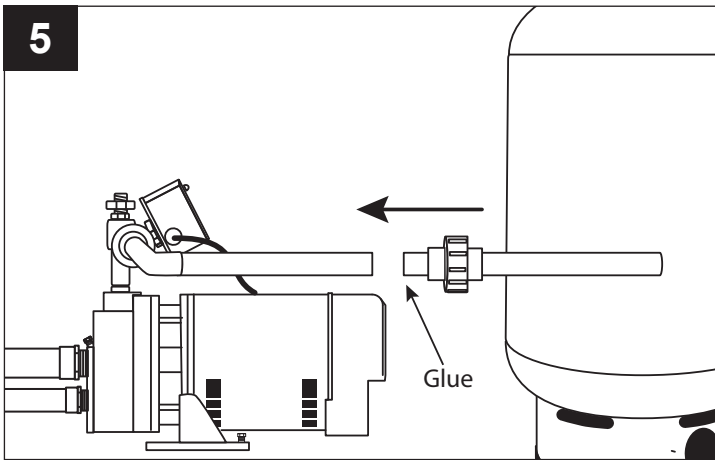
3. Tighten flow control body.



4. Install optional pressure gauge in 1/4" tapping on side of pump body. Face of gauge should be positioned so that dial can be read easily.

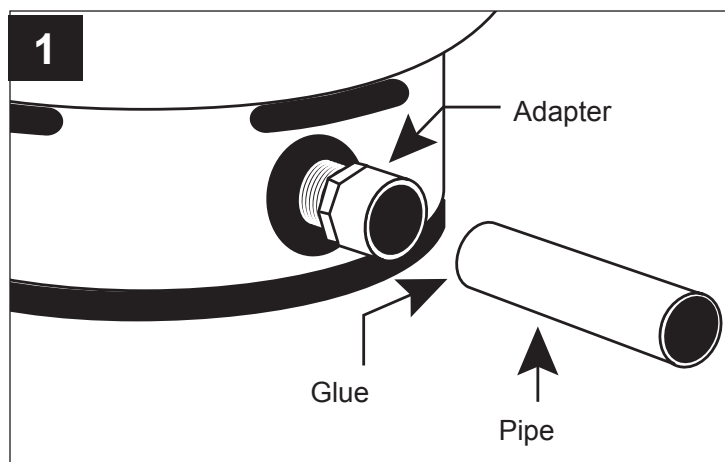


- Continue with fittings and pipe to the pressure tank. A 3/4 in. union is optional but recommended for easy connection and disconnection.
CAUTION: Install a pressure relief valve on any installation where the pump pressure can exceed the maximum working pressure of the tank and plumbing.

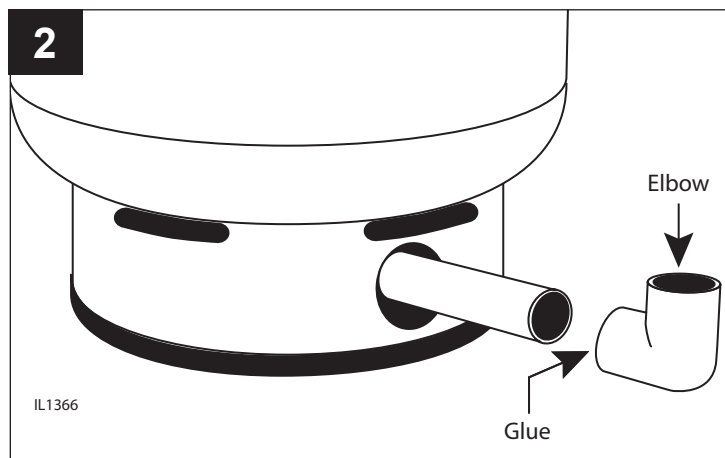


TANK TO HOUSE CONNECTION

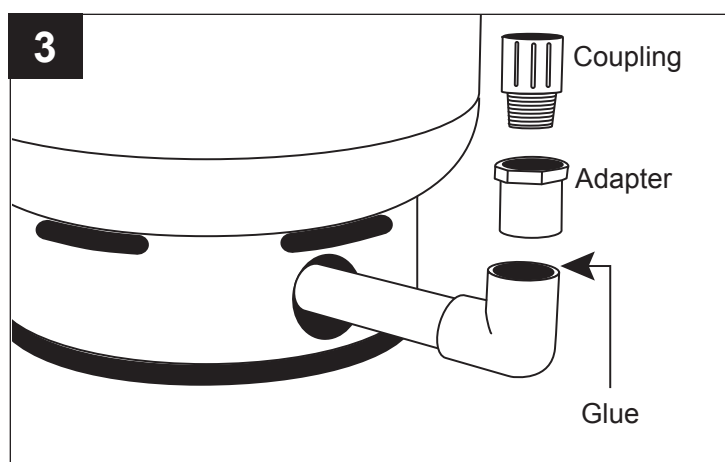
- Most pressure tanks will have a 1 inch inlet elbow on the bottom. Connect to this elbow with a 1 in. MPT x 1 in. slip (glue) adapter and short piece of pipe.



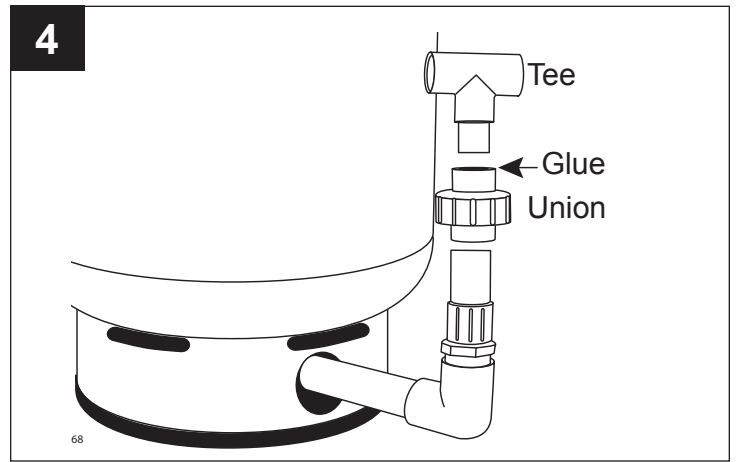
- Install a 1 in. elbow.



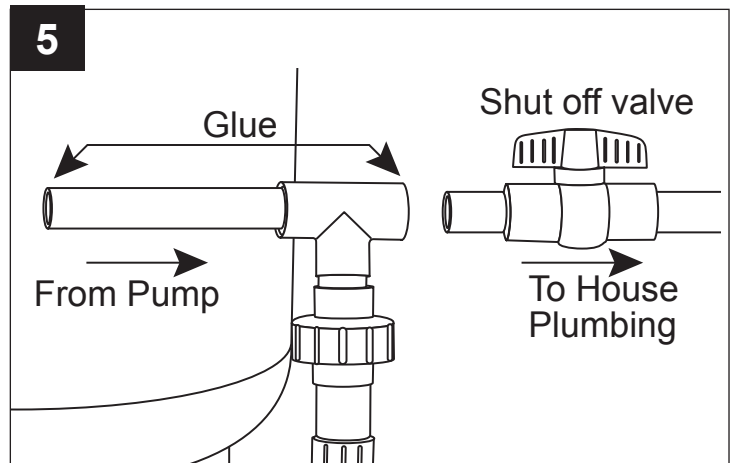
- Attach a 1 in. slip (glue) x 3/4 in. FPT adapter and 3/4 in. MPT x 3/4 in. slip.



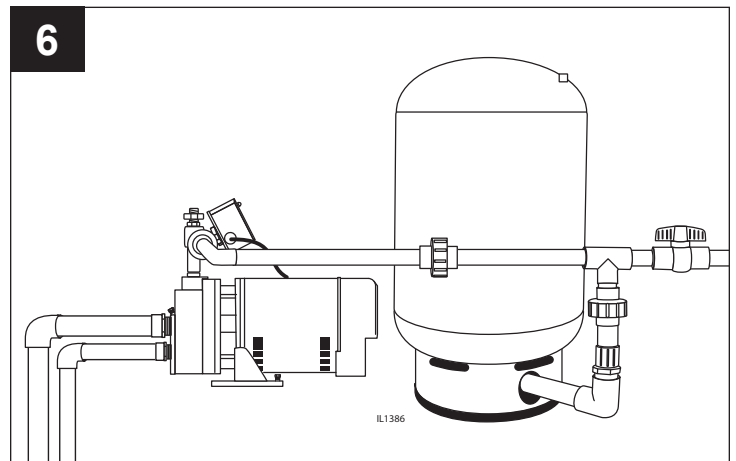
4. Install a 3/4 in. union (optional) and continue with pipe and 3/4 in. x 3/4 in. x 3/4 in. tee.



5. Make the connection to the house plumbing. From the tee, install pipe and shut off valve (optional).



6. Completed deep well installation with piping and tank is shown.



PUMP ELECTRICAL CONNECTIONS

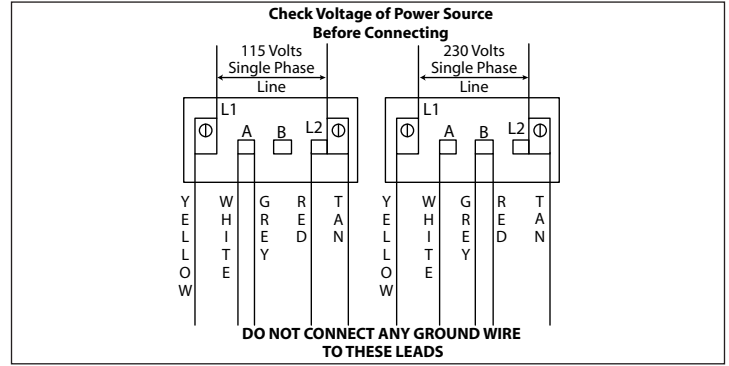
⚠ WARNING:

- Always disconnect pump from electricity before performing any work on the motor.
- Under-sized wiring can cause motor failure and even fire. Use proper wire size specified in the Wire Size Chart.
- Replace damaged or worn wiring cord immediately.
- Do not kink power cable and never allow the cable to come in contact with oil, grease, hot surfaces, or chemicals.
- The pump must be properly grounded using the proper wire cable with ground.

⚠ CAUTION:

- Protect the power cable from coming in contact with sharp objects.
- All wiring should be performed by a qualified electrician in accordance with the National Electric Code and local electric codes.
- Connect the pump to a separate electrical circuit with a dedicated circuit breaker. Refer to the Wire Size Chart for proper fuse size.

WIRING DIAGRAM



HP:	1	PH:	1	Hz:	60
Volts:	115/230	S.F.:	1.2	Amps:	14/7
S.F. Amps:	14/7	RPM:	3450	Type:	C
Duty:	Cont.	Temp:	65C	KVA Code:	G
Frame:	56L	Ins Class:	B	Thermally protected automatically	
Factory prewired for 230V			Use copper conductors only		
Check voltage of power source					

ELECTRICAL HAZARD

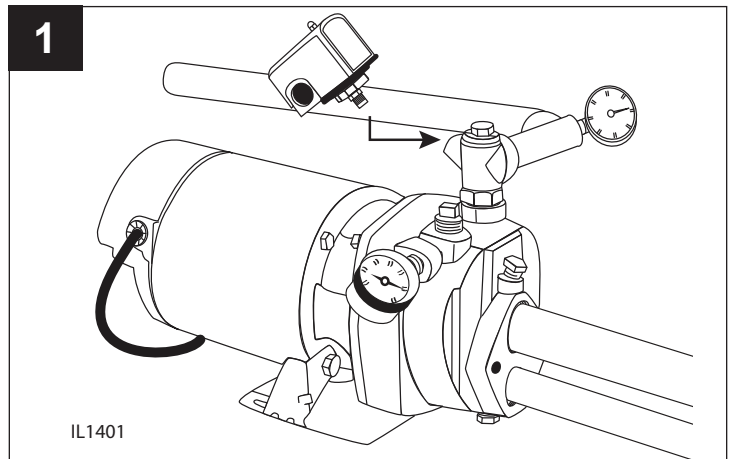
Improper installation may result in fire, explosion, electrical short or injury. Replace all covers before operating. Ground motor in accordance with local and national electrical codes. Disconnect power source before touching internal parts. Motors equipped with automatic protection may restart without warning. See instruction manual for proper installation procedure. Se reporter au manuel d'instructions pour suivre la procédure adéquate d'installation. Consulte el instructive para conocer el procedimiento de instalación correcto.

Wiring the Pressure Switch:

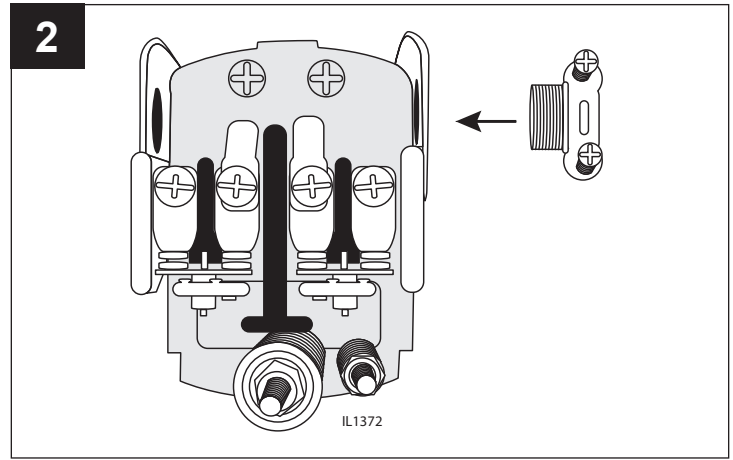
CAUTION: Make certain that the power source matches the pump requirements. This pump has a dual voltage motor and can run on 115 V or 230 V. This pump is pre-wired at the factory to run on 230 V.

NOTE: To change pump voltage, see wiring diagram on this page or instructions on page 13.

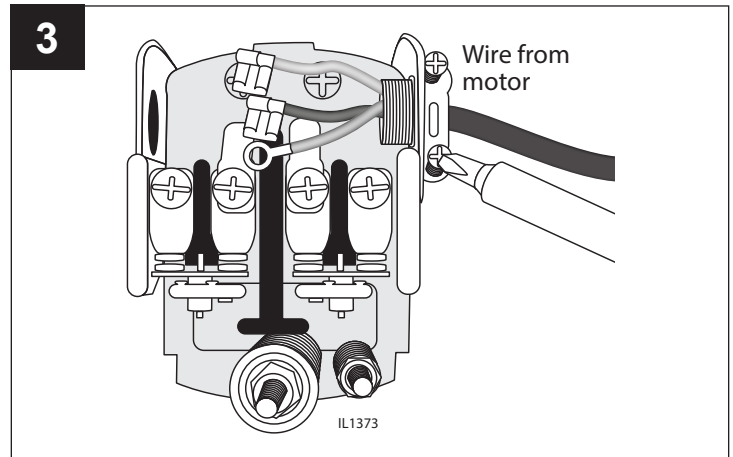
1. Screw the pressure switch into the 1/4 in. opening on the side of the flow control and remove the switch cover.



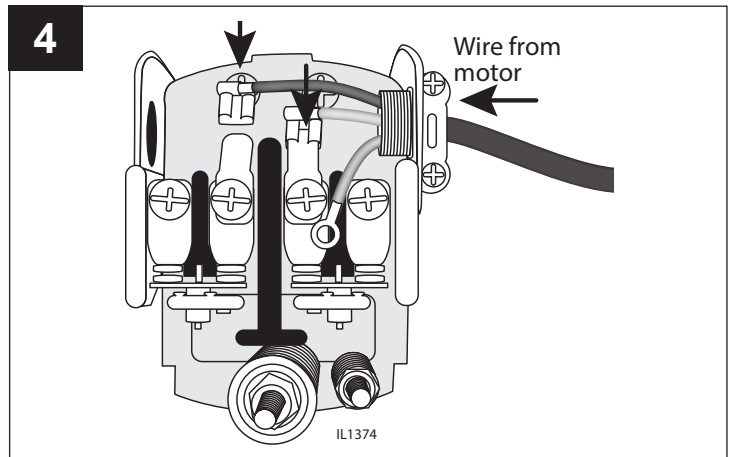
2. Insert an electrical wire strain relief into the opening in the side of the pressure switch closest to the motor.



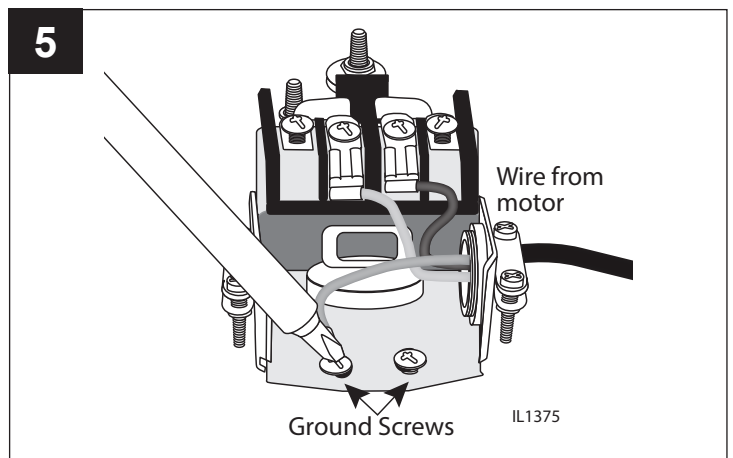
3. Thread the cable from the pump motor through the strain relief into the pressure switch cavity and tighten both screws on the strain relief. Do not crush wire.



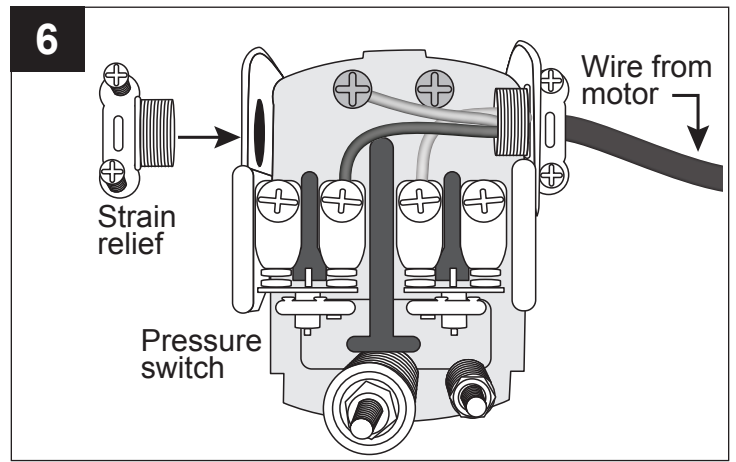
4. Connect the two motor wires of the motor cable to the two inside terminals on the pressure switch.



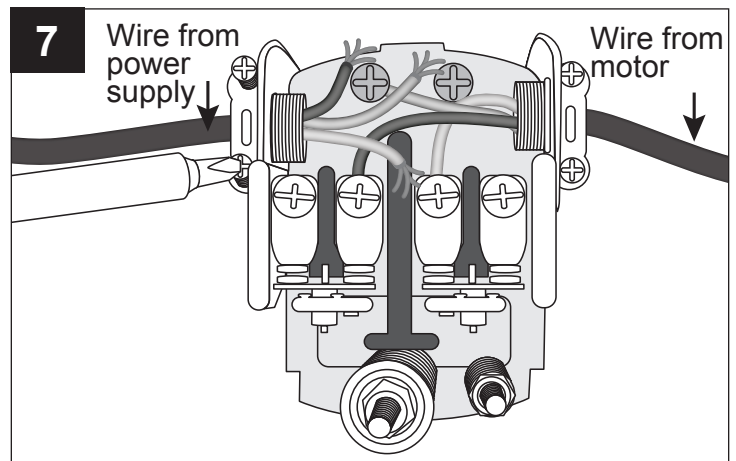
5. Connect the green ground wire from the motor cable to one of the green ground screws at the bottom of the pressure switch.



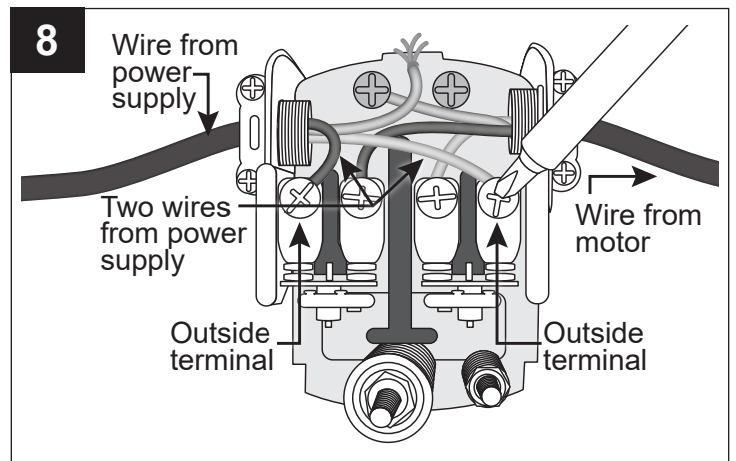
6. Insert an electrical wire strain relief into the opening in the opposite side of the pressure switch.



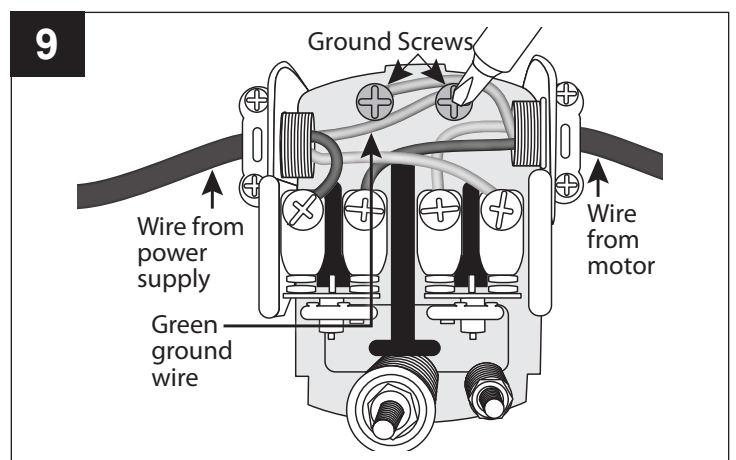
7. Thread the cable from the power supply through the strain relief and tighten both screws on the strain relief. Do not crush wire.



8. Connect the two wires from the power supply to the two outside terminals on the pressure switch.



9. Connect the green ground wire from the power supply to the remaining green ground screw in the pressure switch, and re-attach the pressure switch cover.



To change from 230 V to 115 V

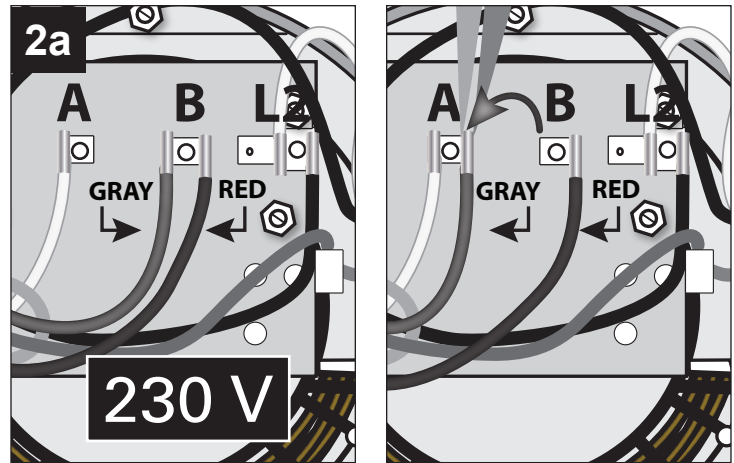
1. The motor of this pump is dual voltage and can run on either 115 V or 230 V. In general, 230 V is more economical to run and requires a smaller wire size.

NOTE: This pump is pre-wired at the factory to run on 230 V.

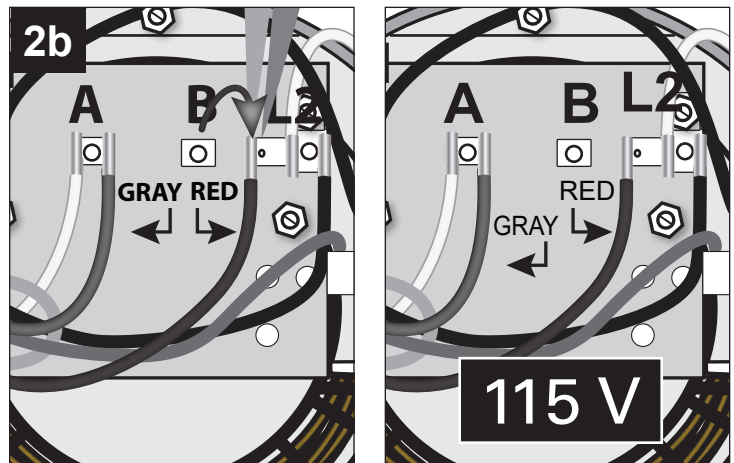
1	HP:	1	PH	1	Hz	60
	Volts:	115/230	S.F.	1.2	Amps	14/7
	S.F. Amps:	14/7	RPM	3450	Type	C
	Duty:	Cont.	Temp	65C	KVA Code	G
	Frame	56L	Ins. Class	B	Thermally protected automatically Use copper conductors only	
	Factory prewired for 230V Check voltage of power source					
	<div style="display: flex; justify-content: space-around;"> ⚠ ELECTRICAL HAZARD ⚡ </div> <p>Improper installation may result in fire, explosion, electrical short or injury. Replace all covers before operating. Ground motor in accordance with local and national electrical codes. Disconnect power source before touching internal parts. Motors equipped with automatic protection may restart without warning. See instruction manual for proper installation procedure. Se reporter au manuel d'instructions pour suivre la procédure adéquate d'installation. Consulte el instructive para conocer el procedimiento de instalación correcto.</p>					

2a. For 115 V service, change the following wires on the terminal board:

a. Using a pair of needle nose pliers, pull the gray wire with the female flag connector from the "B" terminal spade post. Place it to the left on the "A" terminal spade post.

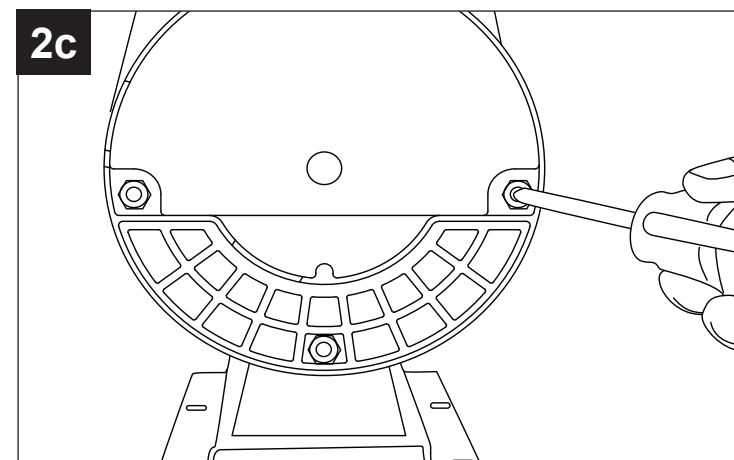


b. Pull the red wire with the female flag connector from the "B" terminal. Place it to the right on the "L2" terminal spade post.



c. Reinstall the rear motor cover.

NOTE: To change voltage from 115 V to 230 V, simply reverse instructions above.



PUMP PRIMING & STARTUP - DEEP WELL

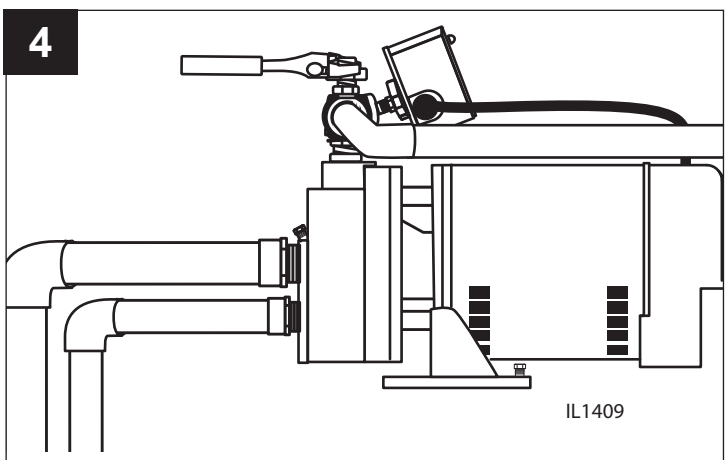
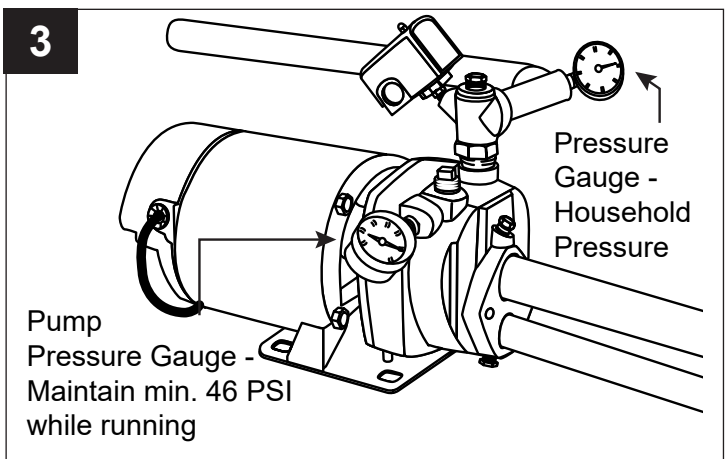
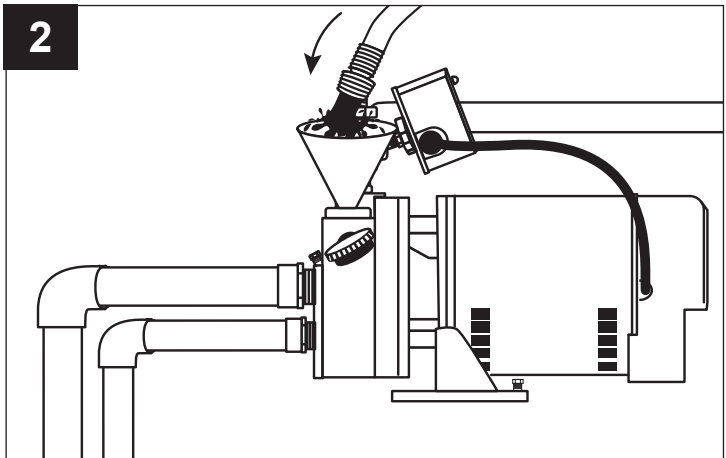
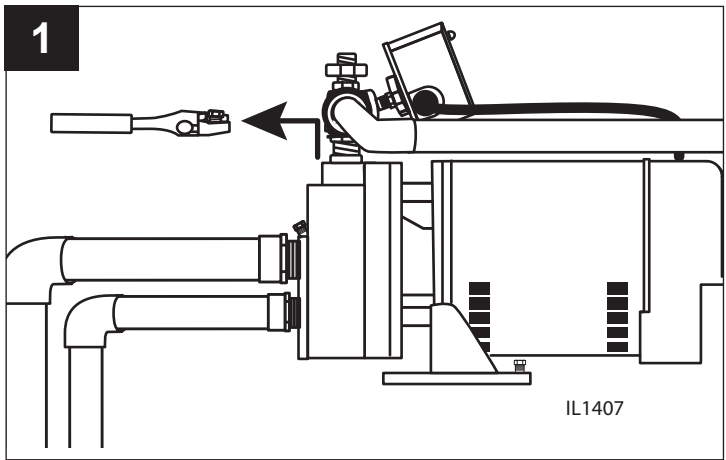
⚠ CAUTION: All pumps must be primed (filling the cavity with water) before they are first operated. This may take several gallons of water, as the suction line will be filled in addition to the pump cavity.

1. Remove the 1/2" priming plug.

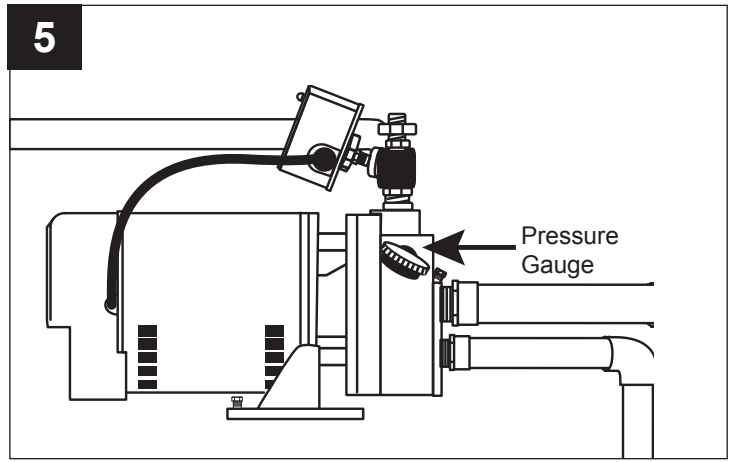
2. Fill pump cavity with water until full and replace priming plug.

3. The flow control valve allows you to adjust the balance between pump body pressure and household pressure. Install a pressure gauge on the pump body and a second gauge in the discharge line. Follow the steps below to maximize pressure to your home while making sure you maintain a minimum of 46 PSI at the pump while the pump is running.

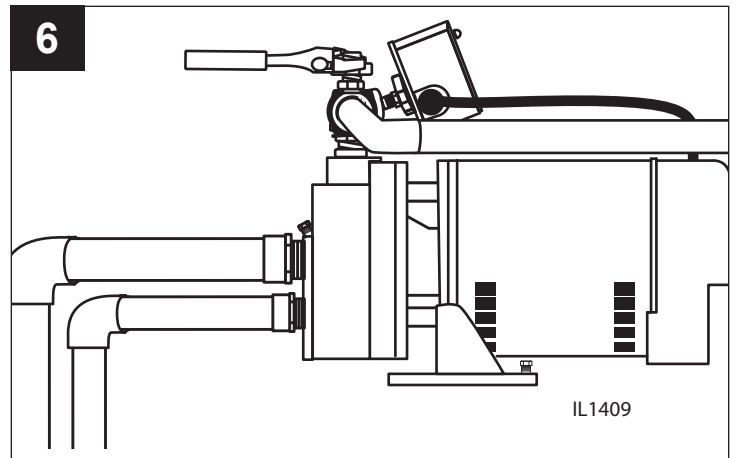
4. Tighten flow control screw completely by turning clockwise, then loosen two turns. Now start the pump.



5. If pump is correctly primed, pressure will quickly build and register on the gauge mounted on the pump body. If pressure does not build, repeat priming operation. All air must be vented from the drive and suction pipes, as well as the body before the pump will prime. The pump body may need to be filled several times in order to achieve the prime.



6. With pump operating at high pressure, open two or more faucets and slowly unscrew the flow control screw until maximum flow is obtained. The pressure gauge should read 46 PSI, which is the minimum operating pressure of the pump.

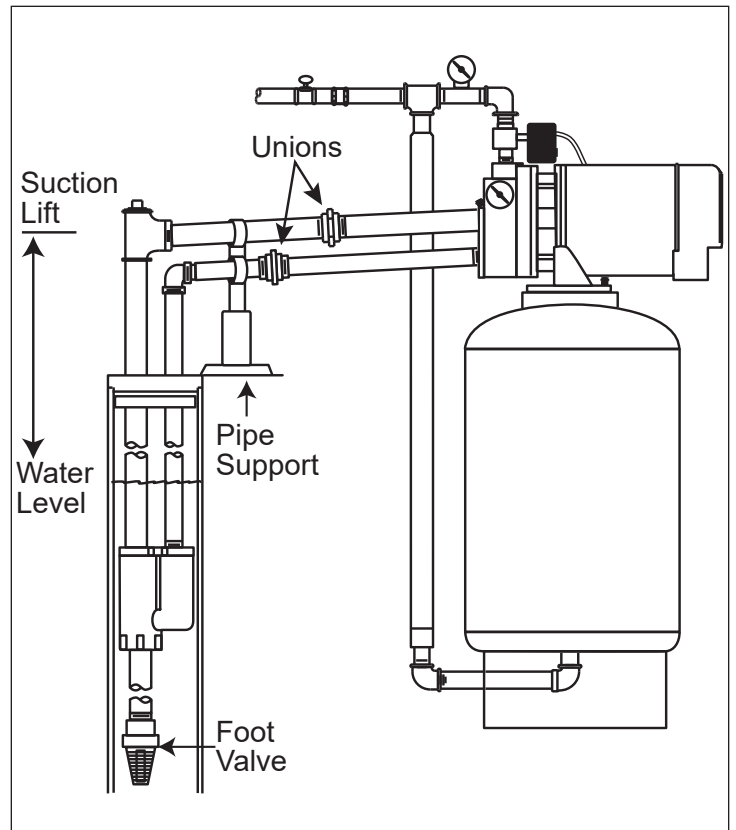


⚠ IMPORTANT: If the pump fails to prime within five minutes:

Turn power off at the breaker box and check all pipe connections for leaks. All connections must be water and air tight in order for pump to operate.

All piping from the well to the pump should slope slightly upward with no sagging. Support suction pipe between water source and pump. Unions in the suction line near the pump and well will aid in servicing. Be sure to leave enough room so that wrenches can be used easily.

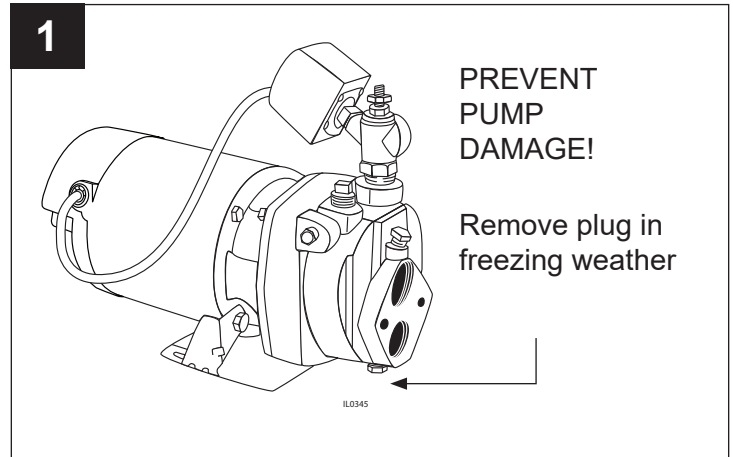
NOTE: Look for leaks or a milky color in the discharged water, which indicates an air leak. Re-prime if necessary, following steps 1 through 6 above. Reset breaker at the breaker box. All connections must be water and air tight in order for pump to operate.



CARE AND MAINTENANCE

Winterizing

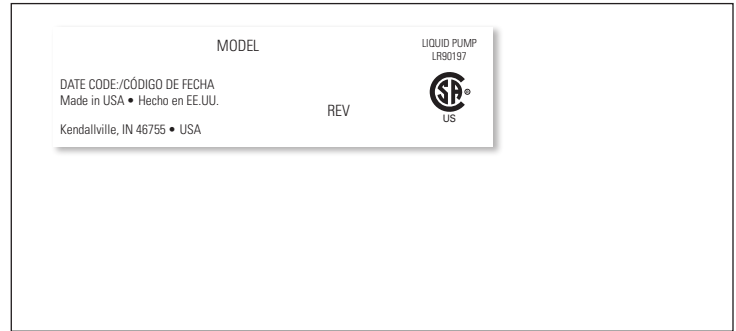
⚠ CAUTION: Drain the entire system if there is danger of freezing. A drain plug is provided at the bottom of the pump for this purpose.



QUICK TROUBLE-SHOOTING CHECKLIST

Please review the following troubleshooting questions before returning a pump as defective. If you have any questions, please call Customer Service at (800) 584-8089.

1. Check date code to make sure pump is within warranty period. Date code is the month and the year.
(Example: 0318 is March of 2018. Date Code is found on the top of the pump.)



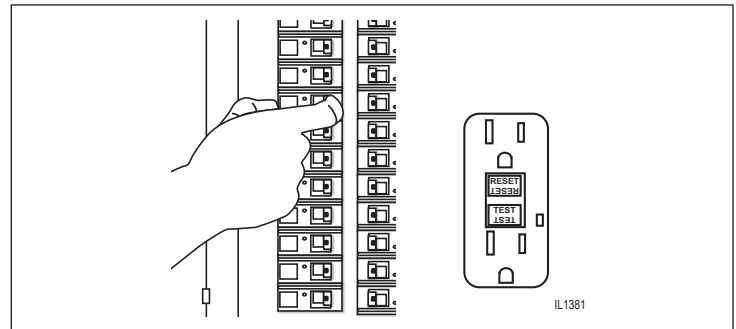
2. Make certain that the power source matches the pump requirements. This pump has a dual voltage motor and can run on 115 V or 230 V. This pump is pre-wired at the factory to run on 230 V.

HP:	1	PH	1	Hz	60
Volts	115/230	S.F.	1.2	Amps	14/7
S.F. Amps:	14/7	RPM	3450	Type	C
Duty:	Cont.	Temp	65C	KVA Code	G
Frame	56L	Ins Class	B	Thermally protected automatically	
Factory prewired for 230V			Use copper conductors only		
Check voltage of power source					

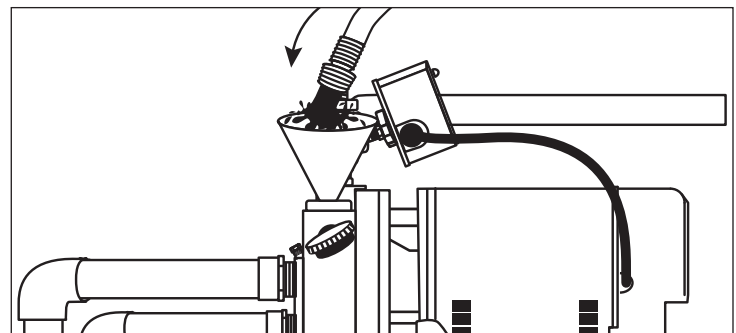
ELECTRICAL HAZARD

Improper installation may result in fire, explosion, electrical short or injury. Replace all covers

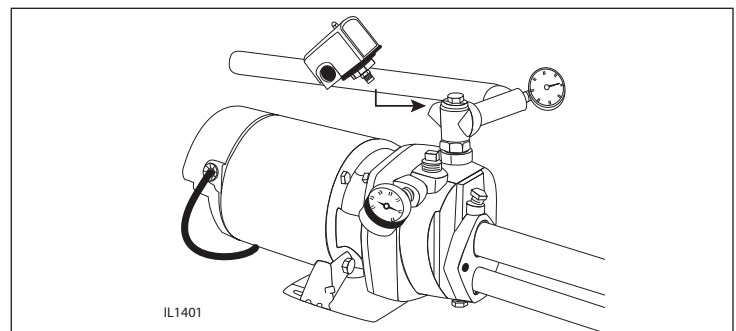
3. If pump does not run, check the GFI or breaker panel switch to make sure it is in full operation.



4. If the pump runs all the time, make sure the pump has been primed correctly. If pump is not holding the prime, inspect check valve, foot valve, and piping, then reprime.



5. If the pump runs but won't shut off, check pressure switch.



TROUBLESHOOTING

PROBLEM	POSSIBLE CAUSE	CORRECTIVE ACTION
Little or no discharge	1. Casing not initially filled with water	1. Fill pump casing
	2. Suction lift too high, or too long	2. Move pump closer to water source
	3. Hole or air leak in suction line	3. Repair or replace. Use pipe tape and pipe sealing compound.
	4. Foot valve too small	4. Match foot valve to piping or install one size larger foot valve.
	5. Foot valve or suction line not submerged deep enough in water	5. Submerge lower in water
	6. Motor wired incorrectly	6. Check wiring diagram
	7. Casing gasket leaking	7. Replace
	8. Suction or discharge line valves closed	8. Open
Pump will not deliver water or develop pressure	1. No priming water in casing	1. Fill pump casing
	2. Leak in suction line	2. Repair or replace
	3. Discharge line is closed, and priming air has nowhere to go	3. Open ball valve
	4. Suction line (or valve) is closed	4. Open
	5. Foot valve is leaking	5. Replace foot valve
	6. Suction screen clogged	6. Clean or replace
Loss of suction	1. Air leak in suction line	1. Repair or replace
	2. Suction lift too high	2. Lower suction lift, install foot valve, and prime
	3. Insufficient inlet pressure or suction head	3. Increase inlet pressure by adding more water to tank or increasing back pressure
	4. Clogged foot valve or strainer	4. Unclog
Pump vibrates and/or makes excessive noise	1. Mounting plate or foundation not rigid enough	1. Reinforce
	2. Foreign material in pump	2. Disassemble pump and clean
	3. Impeller damaged	3. Replace
	4. Worn motor bearings	4. Replace
Pump will not start or run	1. Improperly wired	1. Check wiring diagram on motor
	2. Blown fuse or open circuit breaker	2. Replace fuse or close circuit breaker
	3. Loose or broken wiring	3. Tighten connections, replace broken wiring
	4. Stone or foreign object lodged in impeller	4. Disassemble pump and remove foreign object
	5. Motor shorted out	5. Replace
	6. Thermal overload has opened circuit	6. Allow unit to cool. Restart after reason for overload has been determined.

WARRANTY

This product is warranted for two years from the date of purchase. Subject to the conditions hereinafter set forth, the manufacturer will repair or replace to the original consumer any portion of the product which proves defective due to defective materials or workmanship. To obtain warranty service, contact the dealer from whom the product was purchased. The manufacturer retains the sole right and option to determine whether to repair or replace defective equipment, parts, or components. Damage due to conditions beyond the control of the manufacturer is not covered by this warranty.

THIS WARRANTY WILL NOT APPLY: (a) To defects or malfunctions resulting from failure to properly install, operate, or maintain the unit in accordance with printed instructions provided; (b) to failures resulting from abuse, accident, or negligence, or use of inappropriate chemicals or additives in the water; (c) to normal maintenance services and the parts used in connection with such service; (d) to units which are not installed in accordance with normal applicable local codes, ordinances, and good trade practices; and (e) if the unit is used for purposes other than for what it was designed and manufactured.

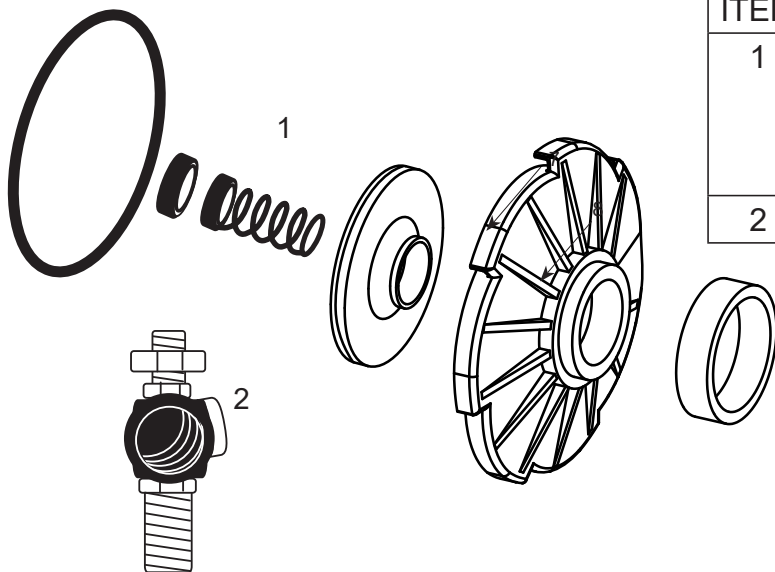
RETURN OF WARRANTED COMPONENTS: Any item to be repaired or replaced under this warranty must be returned to the manufacturer at Kendallville, Indiana or such other place as the manufacturer may designate, freight prepaid.

THE WARRANTY PROVIDED HEREIN IS IN LIEU OF ALL OTHER EXPRESS WARRANTIES, AND MAY NOT BE EXTENDED OR MODIFIED BY ANYONE. ANY IMPLIED WARRANTIES SHALL BE LIMITED TO THE PERIOD OF THE LIMITED WARRANTY AND THEREAFTER ALL SUCH IMPLIED WARRANTIES ARE DISCLAIMED AND EXCLUDED. THE MANUFACTURER SHALL NOT, UNDER ANY CIRCUMSTANCES, BE LIABLE FOR INCIDENTAL, CONSEQUENTIAL OR SPECIAL DAMAGES, SUCH AS, BUT NOT LIMITED TO DAMAGE TO, OR LOSS OF, OTHER PROPERTY OR EQUIPMENT, LOSS OF PROFITS, INCONVENIENCE, OR OTHER INCIDENTAL OR CONSEQUENTIAL DAMAGES OF ANY TYPE OR NATURE. THE LIABILITY OF THE MANUFACTURER SHALL NOT EXCEED THE PRICE OF THE PRODUCT UPON WHICH SUCH LIABILITY IS BASED.

This warranty gives you specific legal rights, and you may have other rights which vary from state to state. Some states do not allow limitations on duration of implied warranties or exclusion of incidental or consequential damages, so the above limitations may not apply to you.

In those instances where damages are incurred as a result of an alleged pump failure, the Homeowner must retain possession of the pump for investigation purposes.

REPAIR PARTS



ITEM	DESCRIPTION	PART NO.
1	Repair Kit includes impeller, diffuser, rotary seal, quadraseal, and diffuser rubber	148140
2	Flow Control Assembly	134349



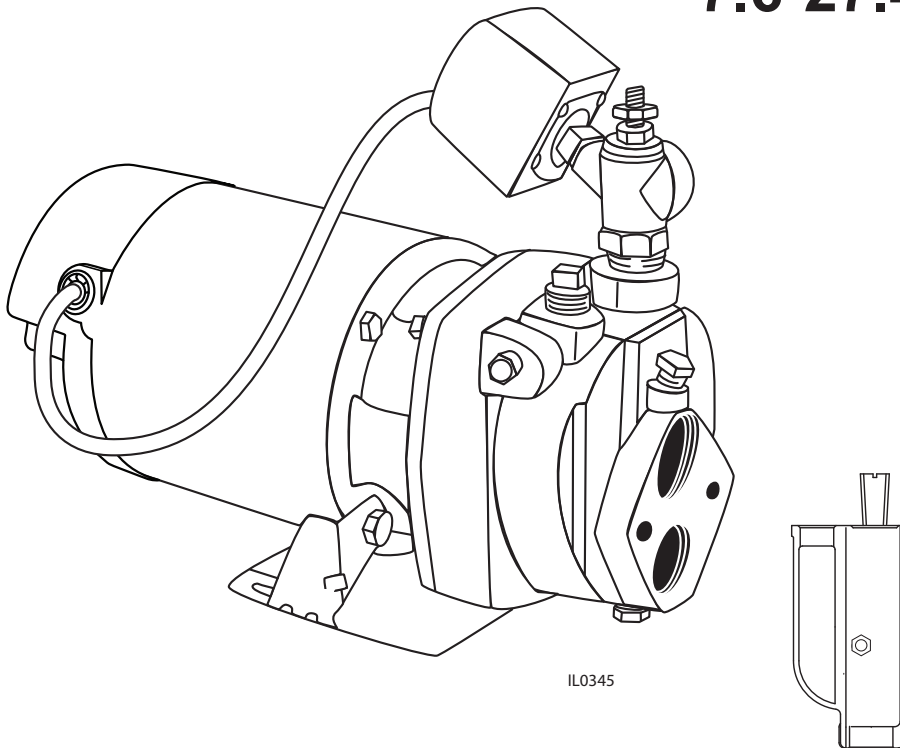
ZoellerAtHome.com

HIERRO FUNDIDO BOMBA CONVERTIBLES DE JET

MODELO #1463-0006

Zoeller® es una marca registrada de
Zoeller Co.
Todos derechos reservados.

INSTRUCCIONES PARA INSTALACIONES DE POZO PROFUNDO 7.6-27.4 M (25-90 PIES)



ADJUNTE SU RECIBO AQUÍ

Número de serie _____ Fecha de compra _____



¿Preguntas, problemas, partes faltantes? Antes de acudir al minorista, llame a nuestro departamento de servicio al cliente al 1-800-584-8089, de lunes a viernes de 7:30 a.m. a 5:00 p.m., EST.

ESPECIFICACIONES DEL PRODUCTO

Suministro de electricidad necesario.....	115 voltios o 230 voltios, 60 Hz (La bomba está configurada de fábrica para funcionar a 230 voltios)
Temperatura máxima del agua	25°C (77°F)
Se requiere circuito de derivación individual	Mínimo 15 amperios
Conexión de descarga.....	NPT de 1 pulg
Conexión de succión	NPT de 1-1/4 pulg
Trabajo del motor	Trabajo continuo con enfriamiento por aire reforzado y protección contra sobrecargas térmicas
Interruptor de presión	Preconfigurado a 20 PSI para “encendido” / 40 PSI para “apagado”
Clasificación de profundidad del agua - Pozos profundo	21,3 m máximo

ARTÍCULO #	HP	VOLTAJE	HZ	AMPERAJE MÁXIMO	AMPERAJE DEL ROTOR BLOQUEADO	RENDIMIENTO A 40 PSI - LPM				
						POZOS PROFUNDOS				
						9,1 M	12,2 M	15,2 M	18,3 M	21,3 m
1463-0006	1	115/230	60	14/7	52/26	40,1	29,9	27,6	21,6	17,4

INFORMACIÓN DE SEGURIDAD

Lea y comprenda todo el manual antes de intentar ensamblar, operar o instalar el producto.

- **NOTA:** Las bombas que exhiban la marca “UL”, así como aquéllas que exhiban la marca “US”, satisfacen la norma UL778 de Underwriters Laboratory. Las bombas certificadas por la Asociación Canadiense de Normalización (CSA) satisfacen la norma C22.2 de la CSA. 108.


PELIGRO

- **PELIGRO DE DESCARGA ELÉCTRICA.**
Siempre desconecte la fuente de alimentación antes de llevar a cabo cualquier trabajo en el motor o cerca de este, o en su carga conectada. Si el punto de desconexión de la alimentación está fuera de la vista, fíjelo en la posición abierta y etiquételo para evitar una aplicación de alimentación inesperada. El incumplimiento de dicho paso podría provocar una descarga eléctrica fatal.
- **PELIGRO DE DESCARGA ELÉCTRICA.**
No manipule la bomba con las manos húmedas ni cuando esté parado en el agua, ya que podría ocurrir una descarga eléctrica fatal. SIN IMPORTAR EL MOTIVO, desconecte la alimentación principal antes de manipular la unidad.
- **RIESGO DE DESCARGA ELÉCTRICA.**
No se ha verificado el uso de estas bombas en piscinas.

ADVERTENCIA

- **ALERTA DE DESCARGA ELÉCTRICA.**
Siga todos los códigos locales eléctricos y de seguridad, además del Código nacional de electricidad (NEC, por sus siglas en inglés) y la ley de la Administración de Salud y Seguridad Ocupacional (OSHA, por sus siglas en inglés)..
- **ALERTA DE DESCARGA ELÉCTRICA.**
Cambie inmediatamente los cables dañados o desgastados. Nunca utilice una extensión eléctrica.
- **ALERTA DE DESCARGA ELÉCTRICA.**
No pliegue el cable de alimentación ni permita que entre en contacto con aceite, grasa, superficies calientes ni sustancias químicas.
- **ALERTA DE DESCARGA ELÉCTRICA.**
Conecte el motor al voltaje de alimentación correcto. Esta bomba tiene un motor de doble voltaje y puede

funcionar a 115 V o 230 V. Viene preconfigurada de fábrica para funcionar a 230 V.

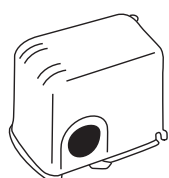
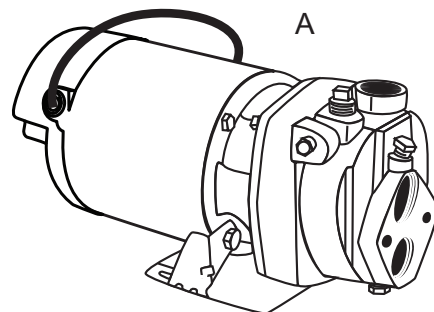
- **ALERTA DE DESCARGA ELÉCTRICA.**
La unidad debe estar conectada a tierra de forma segura y adecuada. Esto se puede hacer cableando la unidad a un sistema de conductos individuales con recubrimiento metálico y conexión a tierra o utilizando un cable de conexión a tierra por separado conectado a la parte metálica al descubierto del armazón del motor o de otra manera adecuada.
- **ALERTA DE DESCARGA ELÉCTRICA.**
Asegúrese de que la fuente de alimentación eléctrica sea adecuada para los requisitos de la bomba.
- **ALERTA DE DESCARGA ELÉCTRICA.**
Nunca utilice una extensión eléctrica con esta bomba.
- **ALERTA DE PRODUCTO QUÍMICO.**
Advertencia de Proposición 65 para residentes de California:
 Advertencia: Cáncer y Daño Reproductivo – www.P65Warnings.ca.gov
- **ALERTA DE PRESIÓN PELIGROSA.**
Instale la válvula de descarga de presión en la tubería de descarga. Libere toda la presión en el sistema antes de trabajar en cualquier componente.
- **ALERTA DE EXPLOSIÓN**
No la use para bombear líquidos inflamables o explosivos como gasolina, combustible, aceite, queroseno, etc. No la utilice en atmósferas inflamables o explosivas.

PRECAUCIÓN

- **PUEDE PROVOCAR DAÑO AL PRODUCTO**
Esta bomba no debe utilizarse en sistemas de irrigación o de riego..
- **PUEDE PROVOCAR DAÑO AL PRODUCTO.**
Proteja el cable de alimentación del contacto con objetos afilados.
- **PUEDE PROVOCAR DAÑO AL PRODUCTO.**
No haga funcionar la bomba en seco.
- **PUEDE PROVOCAR DAÑO AL PRODUCTO.**
La bomba y la plomería deben estar llenas de agua antes de su arranque.
- **PUEDE PROVOCAR DAÑO AL PRODUCTO.**
No bombee agua que contenga arena, lodo, sedimentos o desechos.
- **PODRÍA PROVOCAR LESIONES**
- Tenga cuidado al tocar el exterior de un motor en funcionamiento. Podría estar lo suficientemente caliente como para causar dolor o una lesión.

CONTENIDO DEL PAQUETE

	DESCRIPCIÓN	CANTIDAD
A	Bomba	1
B	Eyector	1
C	Junta	1
D	Pernos	2
E	Presostato de 20/40	1
F	Unidad de control de flujo	1
G	Tornillo de ajuste de unidad de control de flujo	1
H	Protector contra tirones	1
I	Adaptador de PVC de 1 x 3/4 pulg	1



E



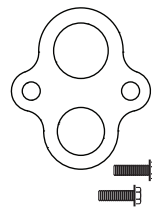
F



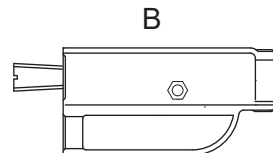
G



I



C



B



D

PREPARACIÓN

Antes de comenzar a instalar el producto, asegúrese de tener todas las piezas. No intente ensamblar el producto si falta alguna pieza o si estas están dañadas. Compare las piezas con la lista del contenido del paquete.

Tiempo estimado de instalación: 2 horas.

Herramientas necesarias para instalaciones nuevas: llave para tuberías (2), pelacables, pinzas de punta de aguja, destornillador Phillips, cortadores de cables, llave ajustable, sistema para pegar PVC de 2 pasos (imprimante y sellador), cinta para roscas, medidor de y bomba para neumáticos

Piezas necesarias para instalaciones nueva: unión de 3.2 cm (1-1/4 pulg.), adaptador de 3.2 cm (1-1/4 pulg.), codo de 3.2 cm (1-1/4 pulg.), unión de 1.9 cm (3/4 pulg.), adaptador de 2.5 cm (1 pulg.), buje reductor de 2.5 cm x 1.9 cm (1 pulg. x 3/4 pulg.), adaptador de 1.9 cm (3/4 pulg.), codo de 2.5 cm (1 pulg.), válvula de retención de 3.2 cm (1-1/4 pulg.), "T" (de plástico) de 1.9 cm (3/4 pulg.), "T" (de acero) de 1.9 cm (3/4 pulg.), racor (de acero) de 1.9 cm x 7.6 cm (3/4 pulg. x 3 pulg.), tapón (de acero) de 1.9 cm (3/4 pulg.), válvula de zapata, pasacables de cable eléctrico, Indicador de presión de 100 PSI (Cant. 2).

INFORMACIÓN GENERAL ACERCA DE LA BOMBA

Ventilación - Se debe proporcionar ventilación y drenaje para evitar daños al motor producto de la humedad y el calor.

Congelamiento - La bomba y todas las tuberías deben estar protegidas de temperaturas muy frías. Si se pronostica clima muy frío, drene la bomba o retírela por completo del sistema.

Suministro De Agua - La fuente de agua debe tener la capacidad de suministrar agua suficiente para satisfacer la capacidad de la bomba y las necesidades de agua. Consulte la tabla de desempeño en la página 2.

Elevación De Succión - La elevación de succión es la distancia vertical desde el nivel más bajo de agua hasta la entrada de la bomba. Consulte la tabla de desempeño en la página 2.

Distancia Horizontal - La distancia horizontal es la medida horizontal entre la bomba de succión y la fuente de agua. La distancia puede afectar la capacidad de operación de la bomba. Si mide más de 30,48 metros, llame al fabricante al 1-800-584-8089 para obtener ayuda..

Tamaño Del Cable:

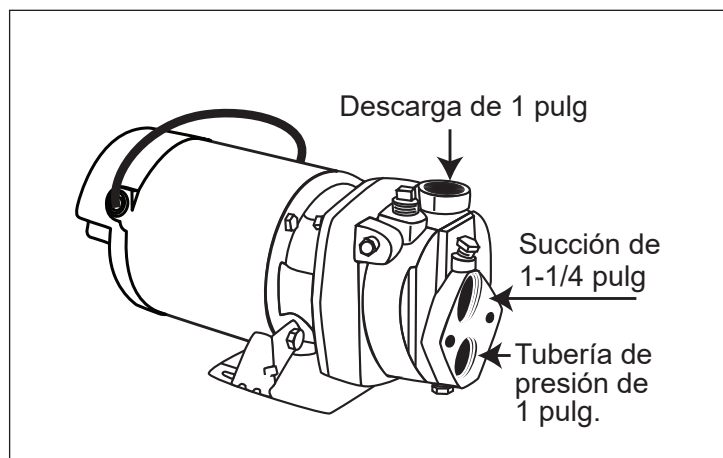
El tamaño del cable está determinado por la distancia de la caja del interruptor al motor de la bomba y los caballos de fuerza de la clasificación del motor. Consulte el tamaño adecuado del cable en la tabla de cables en CONEXIONES ELÉCTRICAS.

TABLA DE TAMAÑOS DE CABLES	
Tamaños de cables de cobre y fusibles recomendados	
Distancia desde el motor al medidor	1 HP
0 a 15,24 m 115 V 230 V	10 GA 14 GA
15,24 a 30,48 m 115 V 230 V	10 GA 14 GA
30,48 a 45,72 m 115 V 230 V	10 GA 12 GA
45,72 a 60,96 m 115 V 230 V	8 GA 12 GA
60,96 m a 91,44 m 115 V 230 V	6 GA 10 GA
Tamaño del fusible	Amperios
115 V	30
230 V	15

Tubería Y Accesorios

Use tubería y accesorios de acero galvanizado o de PVC cédula 40 NSF PW. Este material está diseñado para funcionar con la presión del agua y sellará contra aire y agua bajo presión. No usar: Los accesorios DWV, ya que estos están diseñados para drenajes sin presión y no sellaran de manera adecuada.

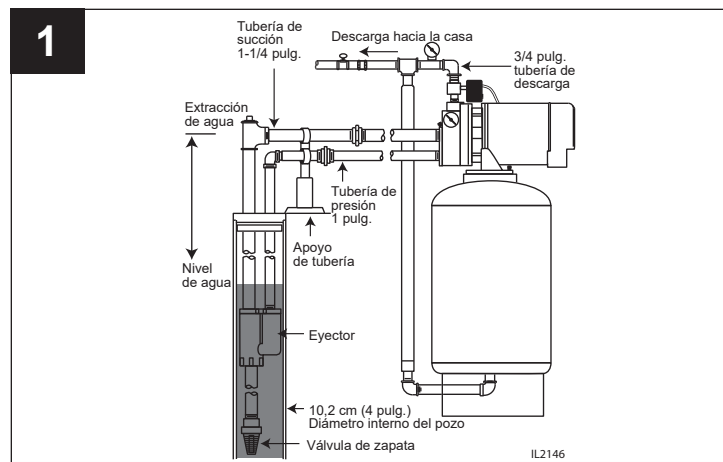
⚠ PRECAUCIÓN: Todo el sistema debe ser impermeable al aire y al agua para mantener el cebado y un funcionamiento eficiente.



Configuración típica de la bomba

1. Pozos profundos (con 7.6-7.4 m [25-90 pies] de extracción) donde el diámetro interno del pozo es de 10.2 cm (4 pulg.) o más y hay un eyector de tubería doble instalado en el pozo.

(Para profundidades de pozos 7.6-27.4 m (25-90 pies), vea las instrucciones 025409)



INSTALACIÓN DE TUBERÍAS EN UN POZO - POZO PROFUNDO

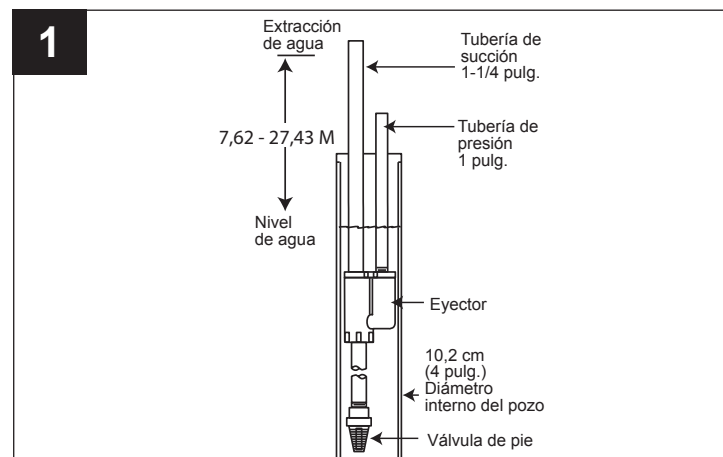
⚠ PRECAUCIÓN: Ajuste completamente el ensamblaje para asegurarse de obtener un ajuste adecuado antes de unir las piezas definitivamente.

⚠ PRECAUCIÓN: Siga todos los procedimientos adecuados para unir como lo especifica el fabricante de adhesivo. Siempre que sea posible coloque el adhesivo en dirección vertical para evitar que gotee dentro de la tubería o los conectores.

⚠ PRECAUCIÓN: Use cinta para tuberías y compuesto en pasta para tuberías en todas las roscas macho. Apriete con la llave hasta que quede ajustado y gire otro cuarto de vuelta para asegurar un sellado adecuado.

1. Fije la válvula de zapata al eyector usando un racor de acero galvanizado o de plástico. Agregue suficiente tubería de presión de DN25 (1 pulg. NPT) y tubería de succión de DN32 (1-1/4 pulg. NPT) para sumergir el eyector de 3.1 a 4.6 m (10 a 15 pies) por debajo del nivel de agua de bombeo, haciendo que la válvula de zapata esté por lo menos a 1.5 m (5 pies) del fondo del pozo. Si se utilizan tuberías de presión y tuberías de succión del mismo diámetro, asegúrese de identificarlas con claridad para que puedan ser conectadas a las tomas correctas de la bomba.

Si existe una fuga conocida en el pozo, reemplace el racor con 6.4 m (21 pies) de tubo de escape de DN25 (1-1/4 pulg. NPT) entre el eyector y la válvula de zapata. Esto proporcionará una fuente continua de agua para el sistema de bombeo.

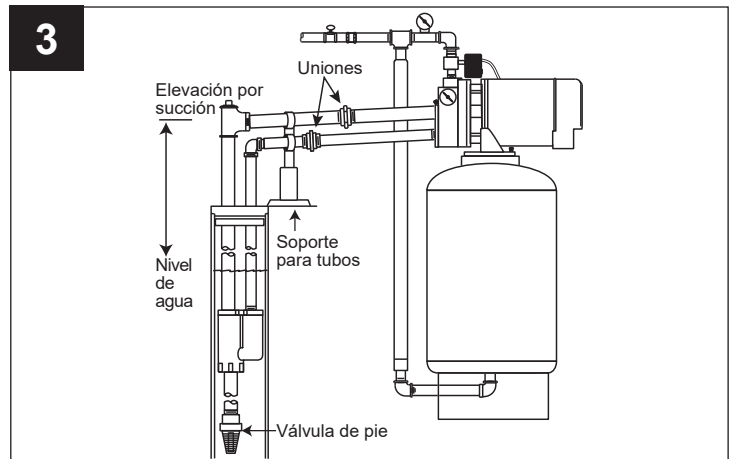
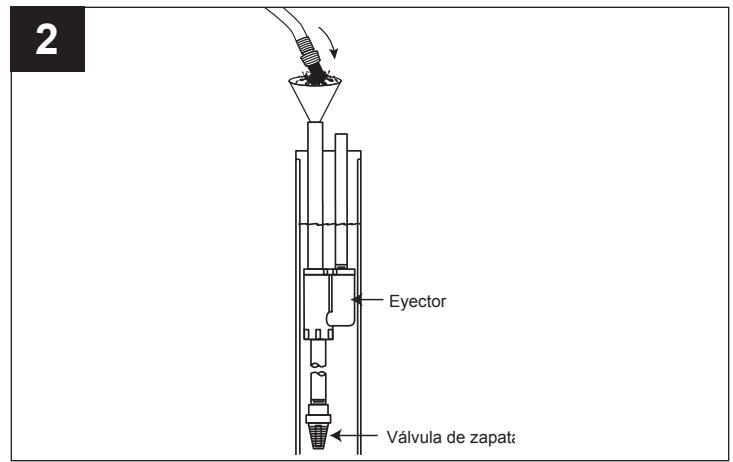


2. Revise la tubería y la válvula de zapata en busca de fugas llenando las tuberías de agua. La pérdida continua de agua indica una fuga en la tubería, en la válvula de zapata o en las uniones y debe corregirse.

Si no se encuentran fugas, proceda con la CONEXIÓN DEL POZO A LA BOMBA (TUBERÍA DE SUCCIÓN).

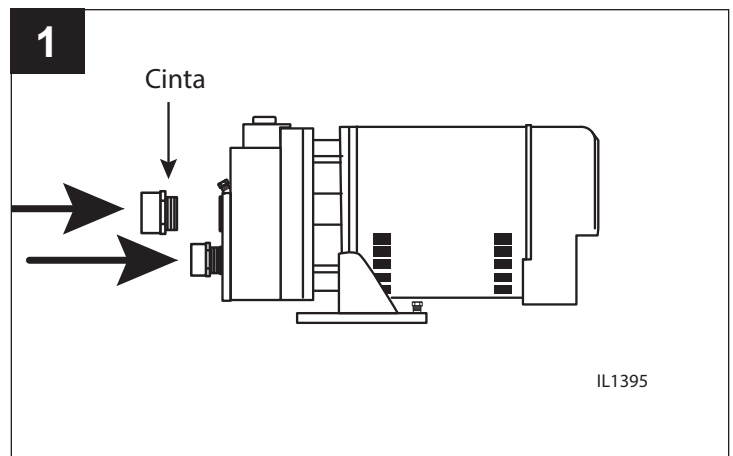
3. Todas las tuberías del pozo a la bomba deben inclinarse ligeramente hacia arriba sin deformaciones. Apoye la tubería de succión entre la fuente de agua y la bomba. Las uniones en la tubería de succión cerca de la bomba y el pozo ayudarán en el mantenimiento. Asegúrese de dejar suficiente espacio para poder utilizar llaves fácilmente.

Reemplace el ejetor cuando reemplace la bomba.



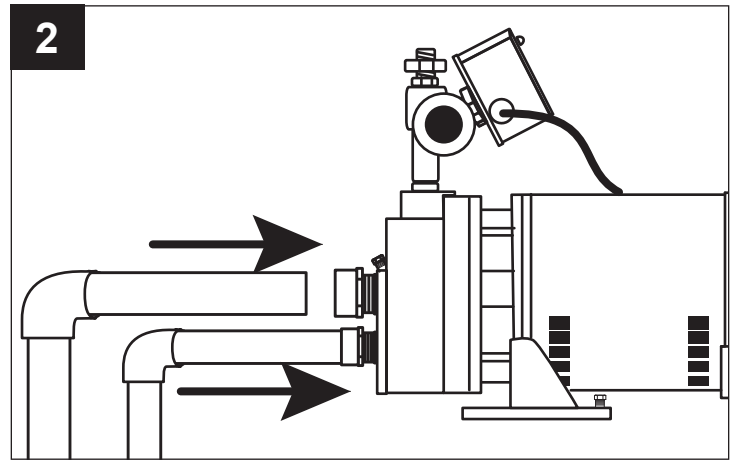
CONEXIÓN DESDE EL POZO A LA BOMBA (TUBERÍA DE SUCCIÓN) - PARA POZOS PROFUNDOS

1. Haga la conexión al pozo. Envuelva 5 veces todos los conectores roscados con dos o tres de teflón o aplique pasta para tuberías (pasta lubricante) para garantizar una conexión hermética.



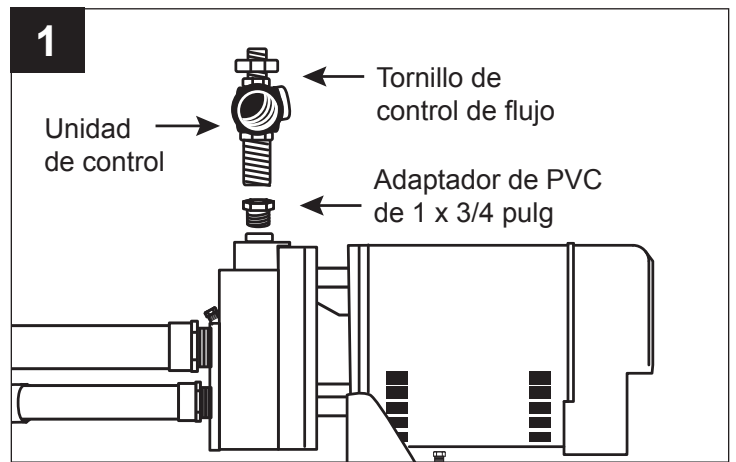
IL1395

- Complete la conexión del pozo con las tuberías y los conectores adicionales según sea necesario.

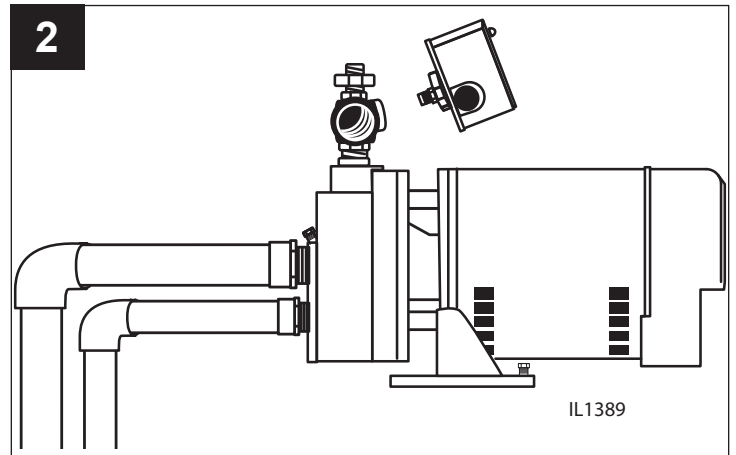


CONEXIÓN DE LA BOMBA AL TANQUE DE PRESIÓN (TUBERÍA DE DESCARGA) - POZO PROFUNDO

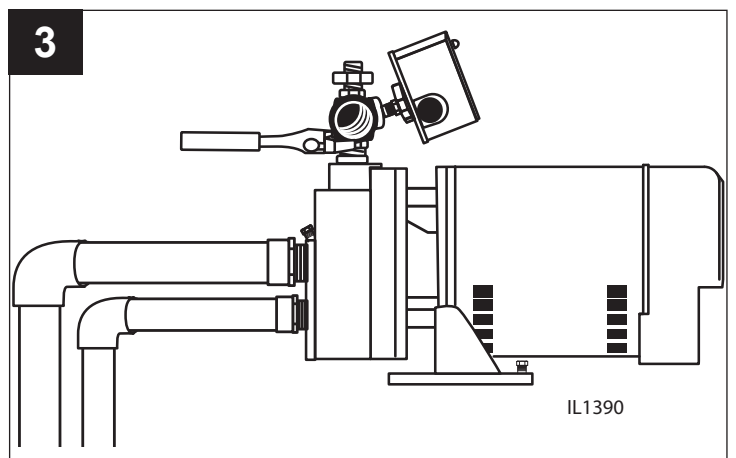
- Para empezar la conexión al tanque de presión, ensamble sin apretar la unidad de control de flujo a la cabeza de la bomba. Usando cinta de teflón, posicione la salida de descarga de la unidad de control hacia la derecha si se mira directamente a la cara de la bomba.



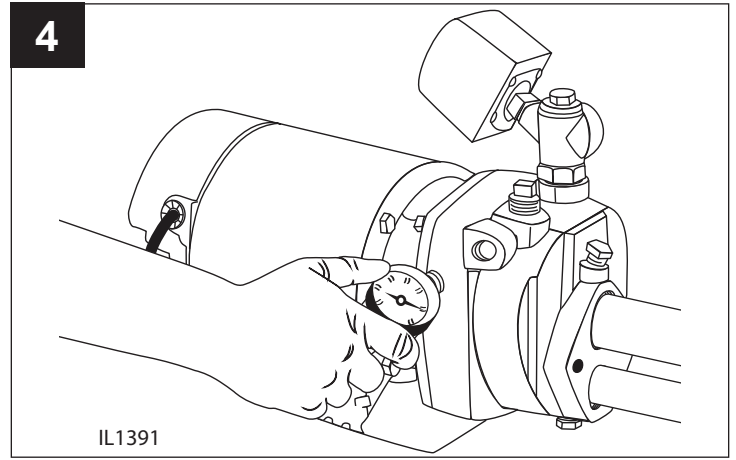
- Monte el presostato en la rosca de 1/4 pulg. adyacente y a la derecha de la salida de descarga de la válvula de control. Consulte el cableado del presostato en la sección de Conexión eléctrica de la bomba.



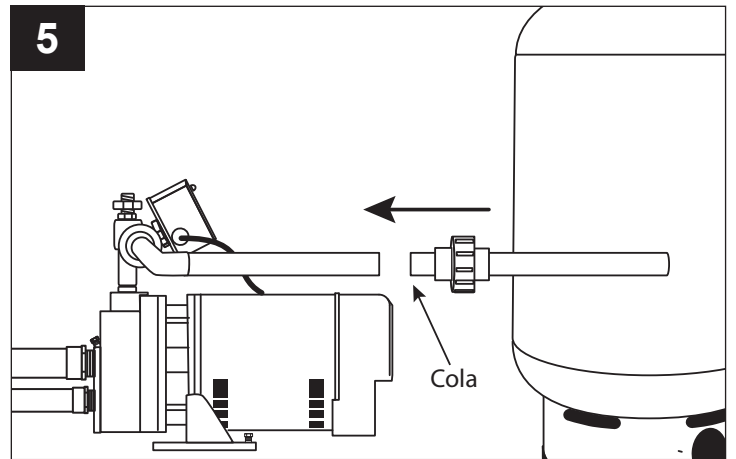
- Apriete la unidad de control de flujo.



4. Instale un manómetro opcional en la rosca de 1/4 pulg. en el costado del cuerpo de la bomba. La cara del manómetro debería colocarse de manera que el medidor pueda leerse con facilidad.

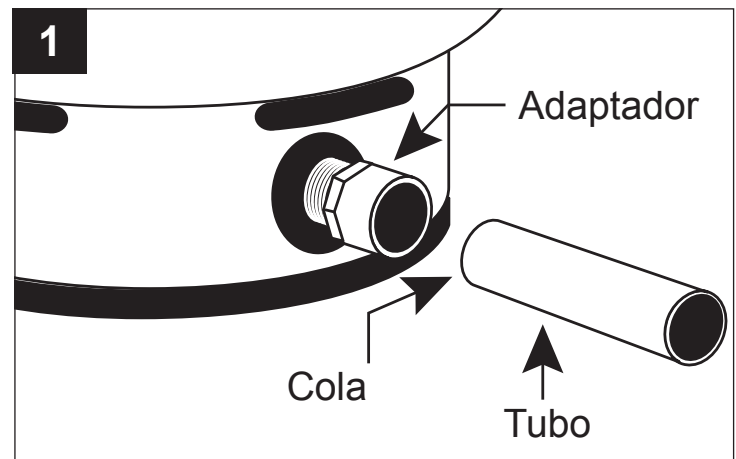


5. Continúe con los conectores y la tubería hacia al tanque de presión. Se recomienda una unión de 1.9 cm (3/4 pulg.) opcional para facilitar la conexión y desconexión.
PRECAUCIÓN: instale una válvula de descarga en cualquier instalación donde la presión de la bomba pueda sobrepasar la presión de trabajo del tanque y la plomería.

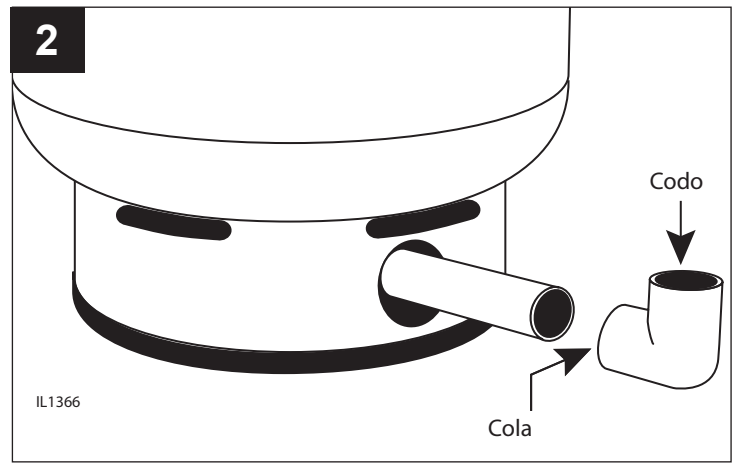


CONEXIÓN DEL TANQUE A LA CASA

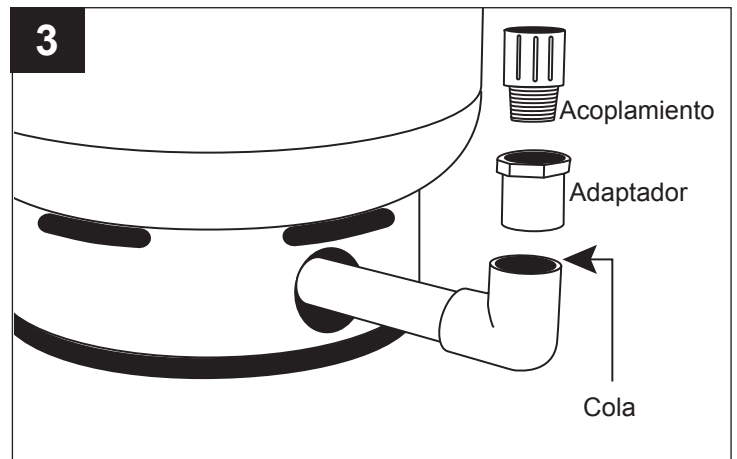
1. La mayoría de los tanques de presión tendrán un codo de entrada de 2.5 cm (1 pulg.) en la parte inferior. Conecte este codo con una con rosca macho de 2.5 cm (1 pulg.) x un adaptador de unión deslizante de 2.5 cm (1 pulg.) (con cola) y un pequeño pedazo de tubo.



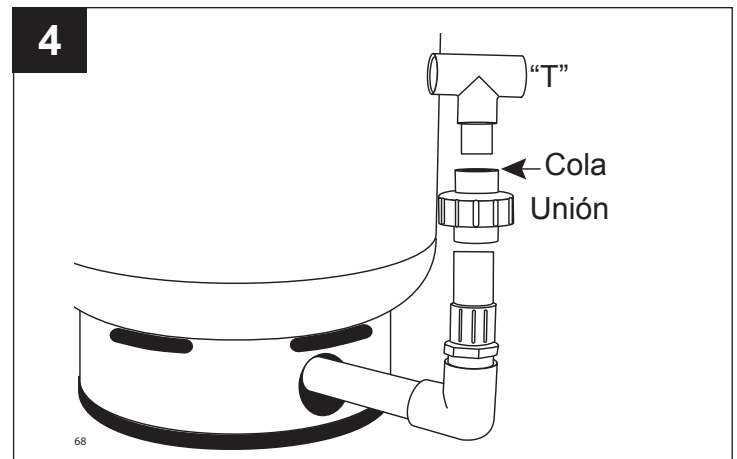
2. Instale un codo de 2.5 cm (1 pulg.).



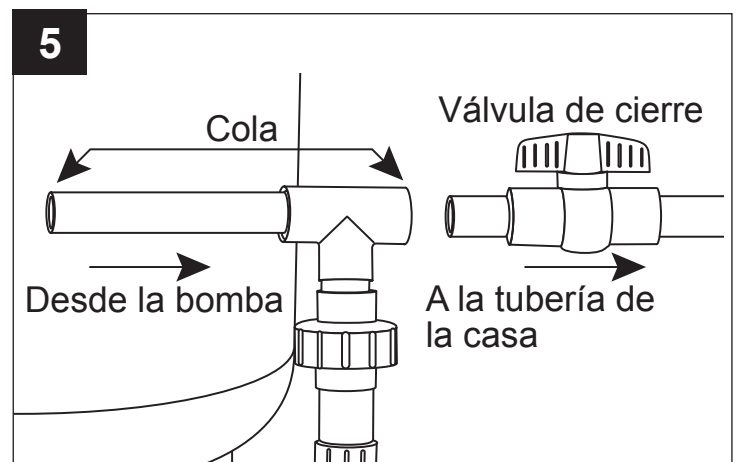
3. Fije una unión deslizante de 2.5 cm (1 pulg.) (con cola) x un adaptador de rosca hembra de 1.9 cm (3/4 pulg.) y uno de rosca macho de 1.9 cm (3/4 pulg.) x una unión deslizante de 1.9 cm (3/4 pulg.).



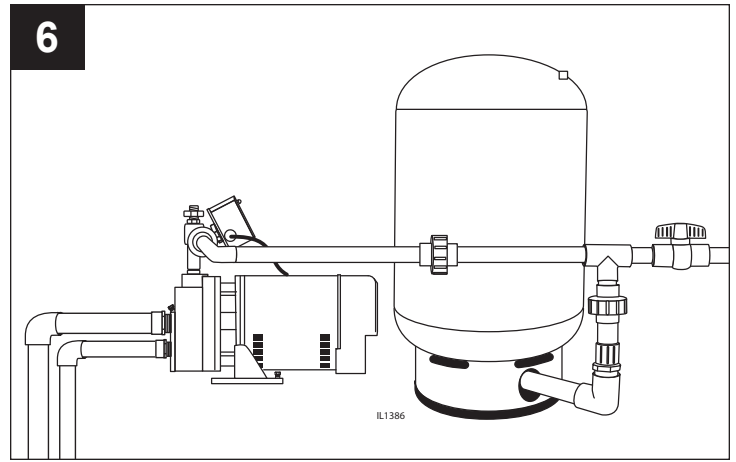
4. Instale una unión (opcional) de 1.9 cm (3/4 pulg.) y continúe con el tubo y la "T" de 1.9 x 1.9 x 1.9 cm (3/4 x 3/4 x 3/4 pulg.).



5. Haga la conexión a la tubería de la casa. Desde la "T", instale la tubería y la válvula de cierre (opcional).



6. Se muestra la instalación completa en un pozo profundo con las tuberías y el tanque.



CONEXIONES ELÉCTRICAS DE LA BOMBA

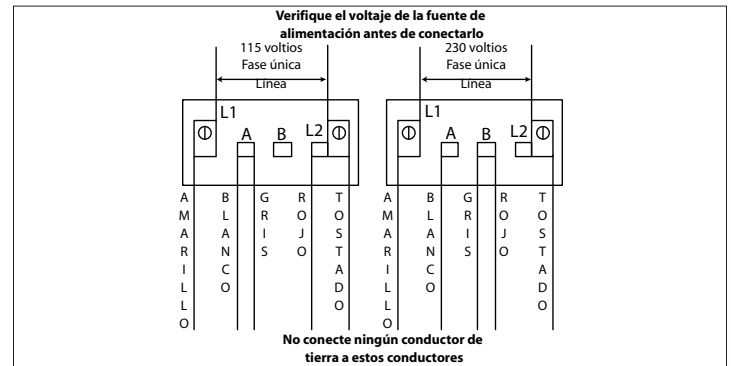
⚠️ ADVERTENCIA:

- Siempre desconecte la bomba de la fuente de energía antes de llevar a cabo cualquier trabajo en el motor.
- Un cableado de tamaño menor puede causar fallas en el motor e incluso incendios. Use el tamaño adecuado de cable especificado en la tabla correspondiente.
- Reemplace inmediatamente los cables dañados o desgastados.
- No pliegue el cable de alimentación ni permita que entre en contacto con aceite, grasa, superficies calientes ni sustancias químicas.
- La bomba debe tener una puesta a tierra adecuada con la ayuda del cable con conexión a tierra correcto.

⚠️ PRECAUCIÓN:

- Proteja el cable de alimentación del contacto con objetos afilados.
- Todo el cableado debe ser realizado por un electricista calificado de acuerdo con el Código nacional de electricidad y los códigos locales de electricidad.
- Conecte la bomba a un circuito eléctrico separado con un interruptor de circuito dedicado. Consulte la tabla de tamaños para conocer el tamaño de fusible adecuado.

DIAGRAMA DE CABLEADO



Motor:	9801071		
HP:	1	PH	1
Volts	115/230	S.F.	1.2
S.F. Amps:	14/7	RPM	3450
Duty:	Cont.	Temp	65C
Frame	56L	Ins Class	B
	Factory prewired for 230V		Thermally protected automatically
	Check voltage of power source		Use copper conductors only

⚠️ ELECTRICAL HAZARD ⚡

Improper installation may result in fire, explosion, electrical short or injury. Replace all covers before operating. Ground motor in accordance with local and national electrical codes. Disconnect power source before touching internal parts. Motors equipped with automatic protection may restart without warning. See instruction manual for proper installation procedure. Se reporter au manuel d'instructions pour suivre la procédure adéquate d'installation. Consulte el instructivo para conocer el procedimiento de instalación correcto.

Cableado del interruptor de presión:

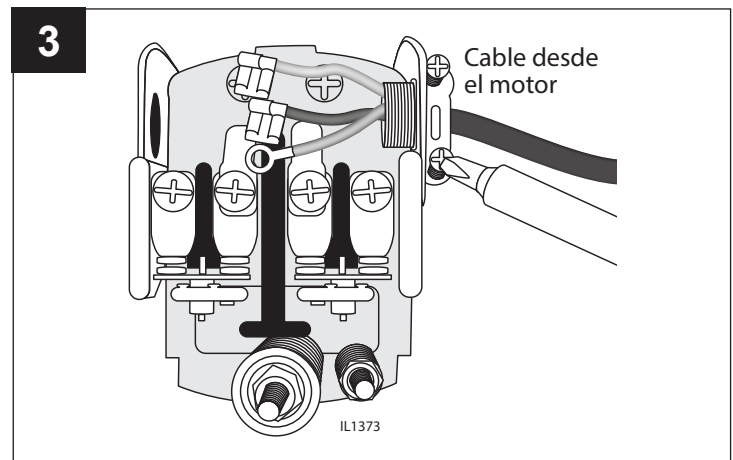
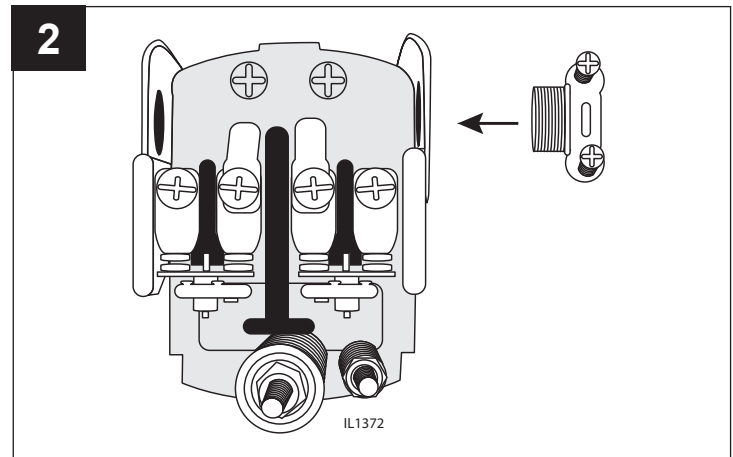
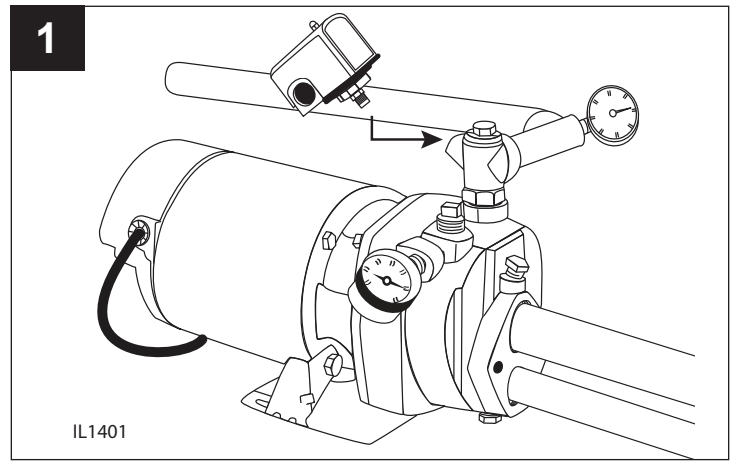
PRECAUCIÓN: Asegúrese de que la fuente de alimentación cumpla con los requisitos de la bomba. Esta bomba tiene un motor de voltaje doble y puede funcionar con 115 voltios o 230 voltios. La bomba viene preconfigurada de fábrica para funcionar a 230 V.

NOTA: para cambiar el voltaje de la bomba, vea el diagrama de cableado en esta página o las instrucciones en la página 17..

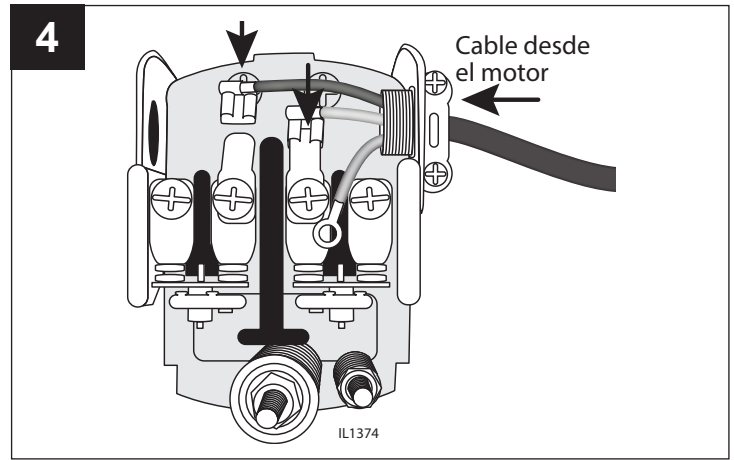
1. Atornille el presostato en la abertura de 0.6 cm (1/4 pulg.) en el costado del control de flujo y retire la tapa del interruptor.

2. Inserte un pasacables de cables eléctricos en la abertura del lado del presostato más cercano al motor.

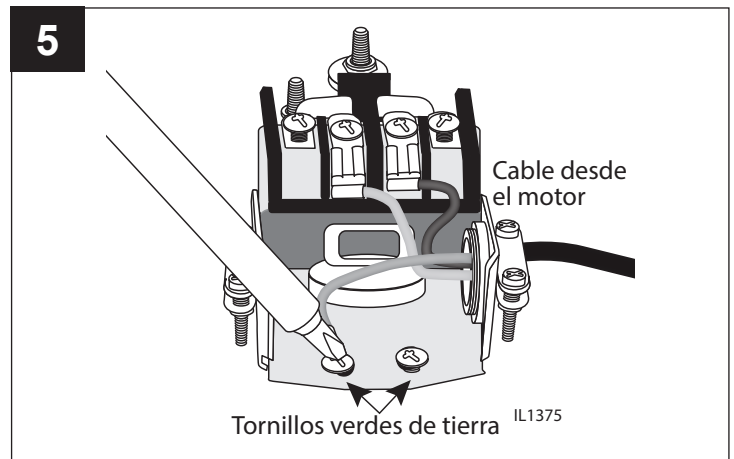
3. Pase el cable desde el motor de la bomba a través del pasacables hasta dentro la cavidad del presostato y apriete los dos tornillos del pasacables. No aplaste el cable.



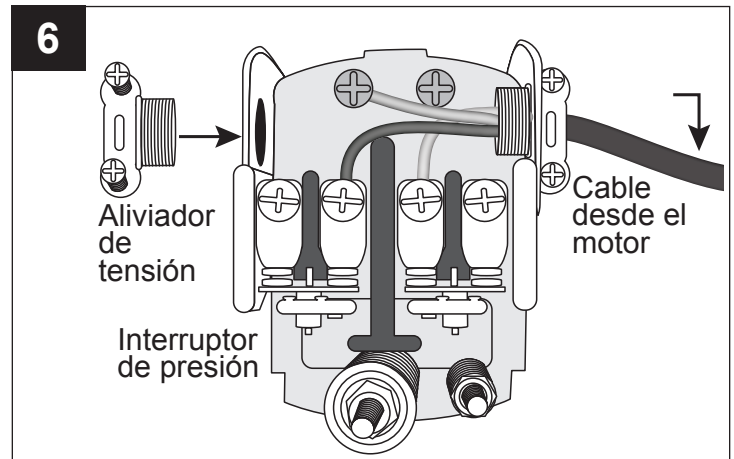
4. Conecte los dos hilos del cable del motor a los dos terminales interiores del presostato.



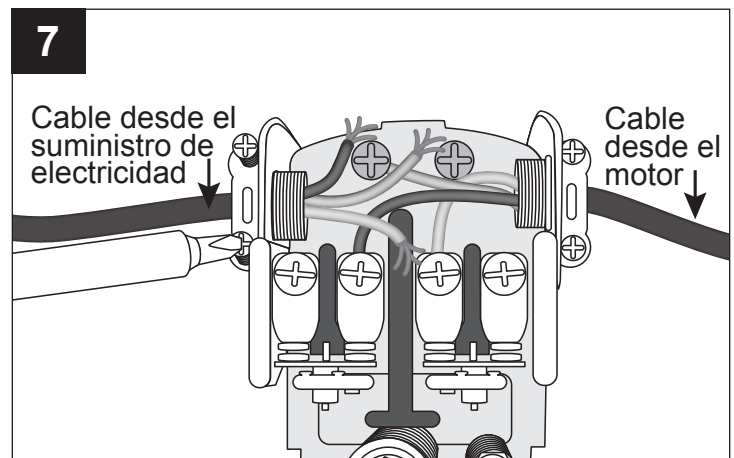
5. Conecte el hilo verde de tierra del cable del motor a uno de los tornillos verdes de tierra en la parte inferior del presostato.



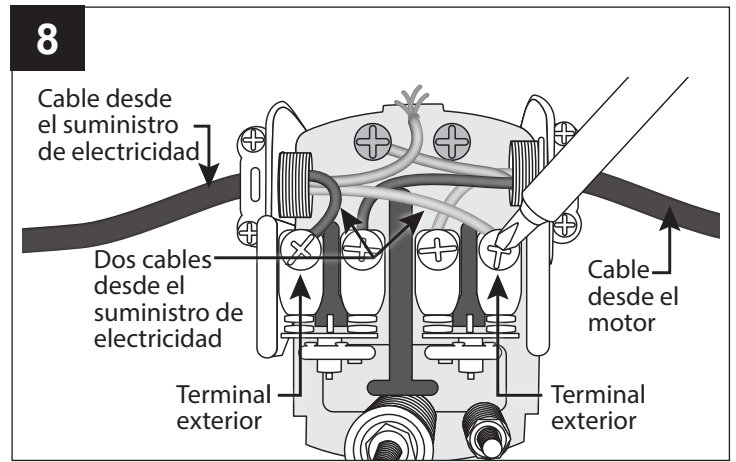
6. Inserte un pasacables de cables eléctricos en la abertura del lado opuesto del presostato.



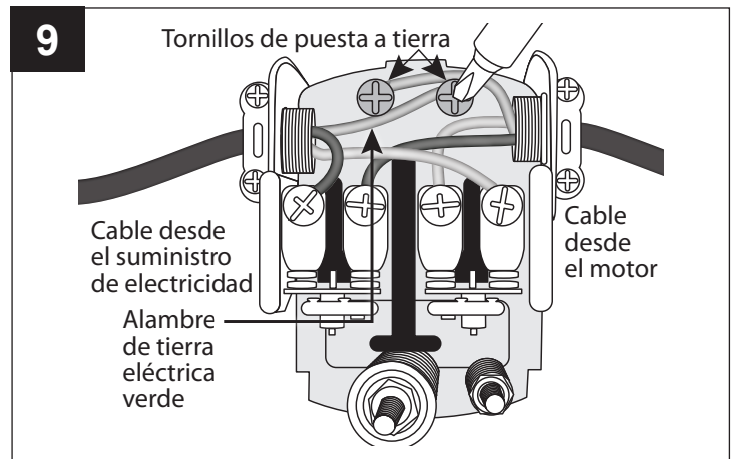
7. Pase el cable desde la fuente de alimentación a través del pasacables y apriete los dos tornillos del pasacables. No aplaste el cable.



8. Conecte los dos hilos de la fuente de alimentación a los dos terminales exteriores del presostato.



9. Conecte el hilo verde de tierra de la fuente de alimentación a uno de los tornillos verdes de tierra restantes en el presostato y vuelva a colocar la tapa del presostato.



Para cambiar de 230 V a 115 V

1. El motor de esta bomba es de doble voltaje y puede funcionar a 115 V o 230 V. En general, es más económico que funcione a 230 V y requiere un tamaño de cable más pequeño.

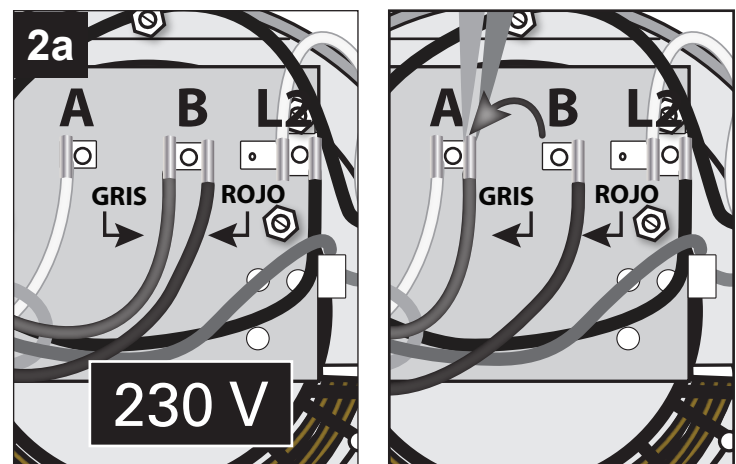
1	Motor: 98U1071	Rev.:	
HP:	1	PH:	1
Volts:	115/230	S.F.:	1.2
S.F. Amps:	14/7	RPM:	3450
Duty:	Cont.	Temp:	65C
Frame:	56L	Ins Class:	B
Factory prewired for 230V		Thermally protected automatically	
Check voltage of power source		Use copper conductors only	

! ELECTRICAL HAZARD

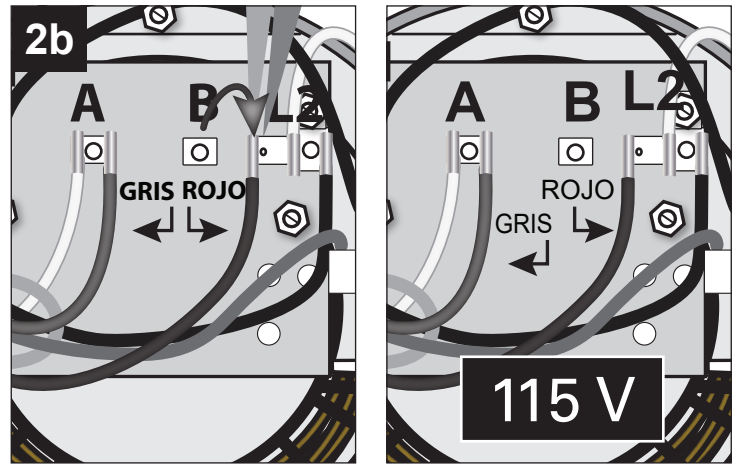
Improper installation may result in fire, explosion, electrical short or injury. Replace all covers before operating. Ground motor in accordance with local and national electrical codes. Disconnect power source before touching internal parts. Motors equipped with automatic protection may restart without warning. See instruction manual for proper installation procedure. Se reporter au manuel d'instructions pour suivre la procédure adéquate d'installation. Consulte el instructive para conocer el procedimiento de instalación correcto.

NOTA: la bomba viene preconfigurada de fábrica para funcionar a 230 V.

- 2a. Para que funcione con 115 voltios, cambie los siguientes cables en el tablero de terminales.:
- Using a pair of needle nose pliers, pull the gray wire with the female flag connector from the "B" terminal spade post. Place it to the left on the "A" terminal spade post.

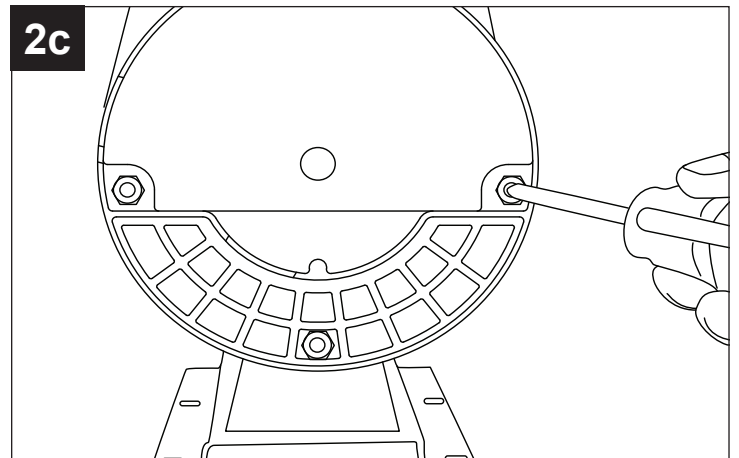


- b. Jale el cable rojo con el conector de bandera hembra del terminal "B". Colóquelo a la derecha en el poste de paleta del terminal L2.



- c. Vuelva a instalar la cubierta posterior del motor.

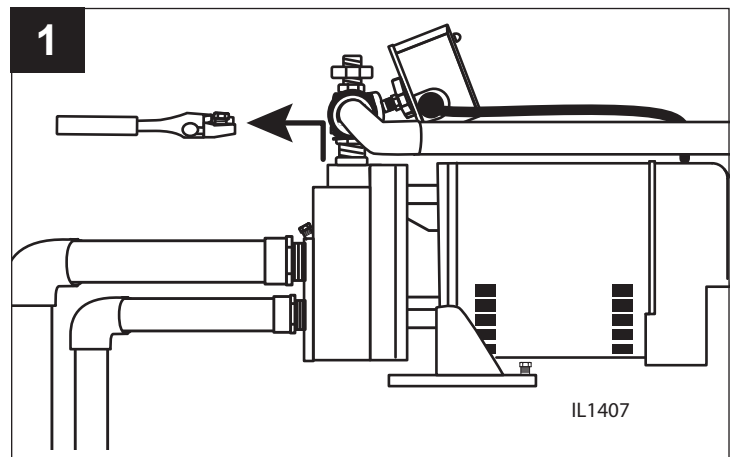
NOTA: para cambiar el voltaje de 115 V a 230 V, simplemente invierta las instrucciones de arriba.



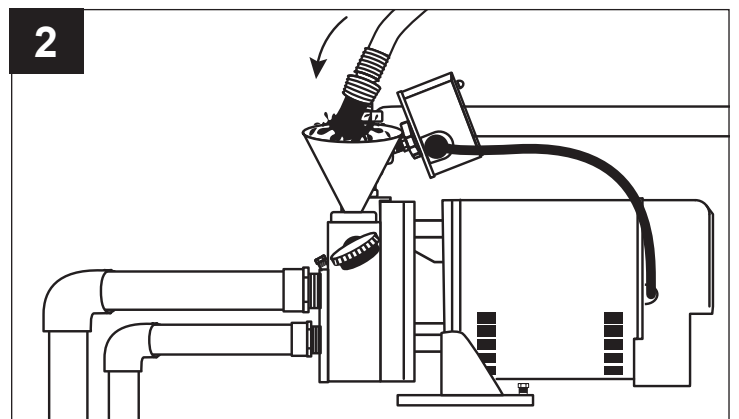
CEBADO Y PUESTA EN MARCHA DE LA BOMBA - POZO PROFUNDO

PRECAUCIÓN: Todas las bombas deben ser cebadas (llenar la cavidad con agua) antes de que se operen por primera vez. Esto puede requerir varios litros de agua, ya que la línea de succión se llenará al igual que la cavidad de la bomba.

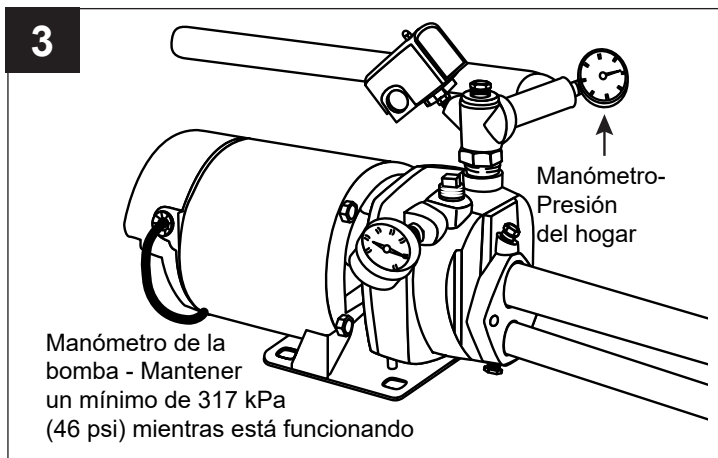
1. Retire el tapón de cebado de 1.2 cm (1/2 pulg.).



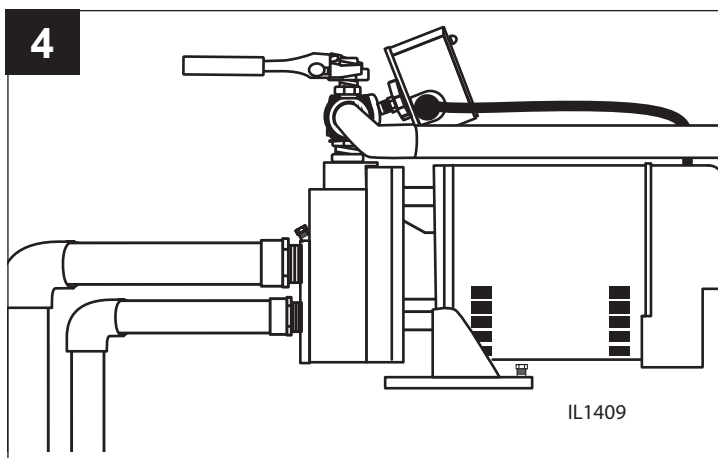
2. Llene la cavidad de la bomba con agua hasta que esté llena y sustituya el tapón de cebado.



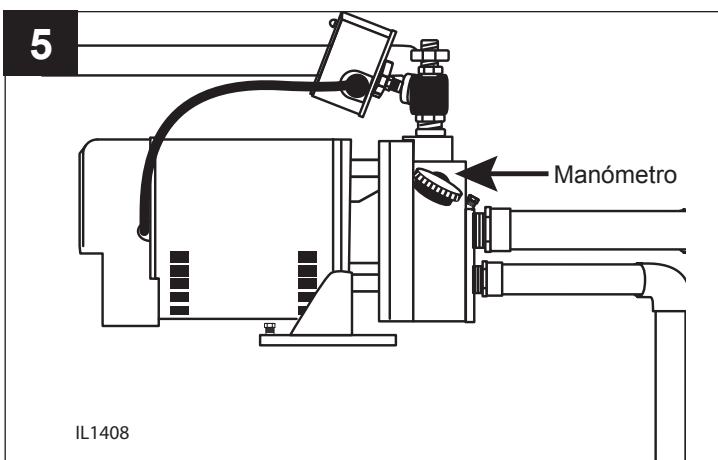
3. La válvula de control de flujo le permite ajustar el equilibrio entre la presión del cuerpo de la bomba y la presión del hogar. Instale un manómetro en el cuerpo de la bomba y un segundo manómetro en la línea de descarga. Siga los pasos a continuación para maximizar la presión en su hogar mientras se asegura de mantener un mínimo de 317 kPa (46 psi) en la bomba mientras está funcionando.



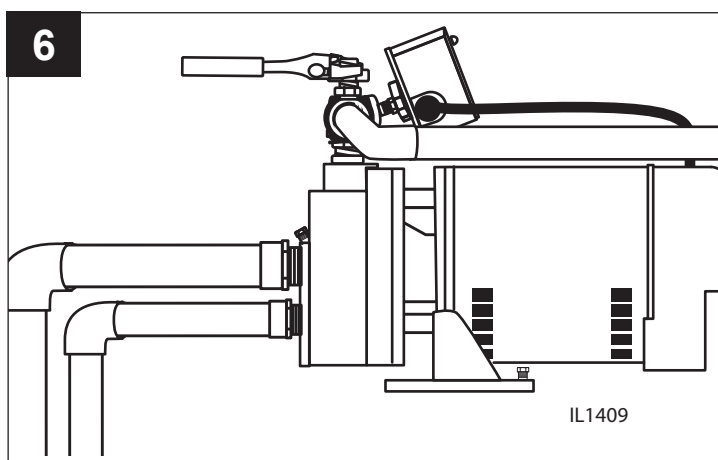
4. Apriete completamente el tornillo de control de flujo girando hacia la derecha, luego afloje dos vueltas.



5. Si la bomba está cebada correctamente, la presión se acumulará de forma rápida y el manómetro montado sobre el cuerpo de la bomba lo registrará. Si la presión no se acumula, repita la operación de cebado. Se debe sacar todo el aire de la unidad y las tuberías de aspiración, así como del cuerpo antes de que la bomba se ceba. Es posible que deba llenar el cuerpo de la bomba varias veces con el fin de lograr el cebado.



6. Con la bomba funcionando a alta presión, abra dos o más grifos y desenrosque lentamente el tornillo de control de flujo hasta que se obtenga el flujo máximo. El manómetro debería indicar 317 kPa (46 psi), que es la presión mínima de funcionamiento de la bomba.

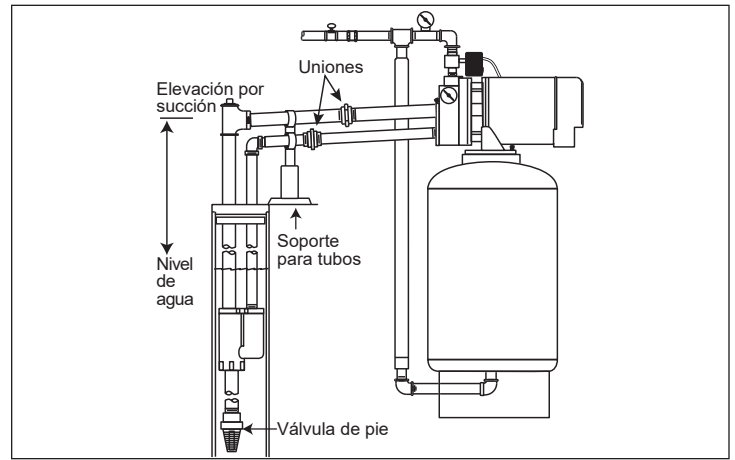


⚠ IMPORTANTE: Si la bomba no se ceba en los siguientes cinco minutos:

Desconecte la energía en la caja de disyuntores y compruebe todas las conexiones de tuberías en busca de fugas. Todas las conexiones deben ser herméticas y evitar el paso del agua y aire para que la bomba pueda funcionar.

Todas las tuberías del pozo a la bomba deben inclinarse ligeramente hacia arriba sin deformaciones. Apoye la tubería de succión entre la fuente de agua y la bomba. Las uniones en la tubería de succión cerca de la bomba y el pozo ayudarán en el mantenimiento. Asegúrese de dejar suficiente espacio para poder utilizar llaves fácilmente.

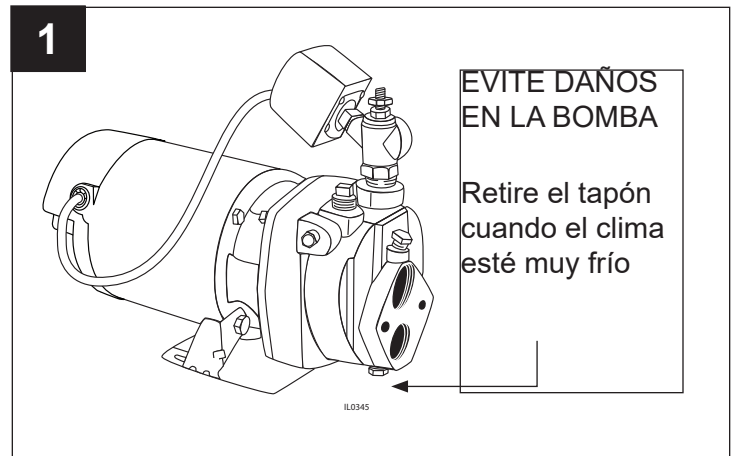
NOTA: Compruebe que no haya fugas o que el agua de descarga no tenga un color lechoso; esto indica que existe una fuga de aire. De ser necesario, vuelva a cebar, siga los pasos 1 al 6 anteriores. Reinicie el interruptor en la caja de interruptores. Todas las conexiones deben ser herméticas y evitar el paso del agua y aire para que la bomba pueda funcionar.



CUIDADO Y MANTENIMIENTO

Preparación para el invierno

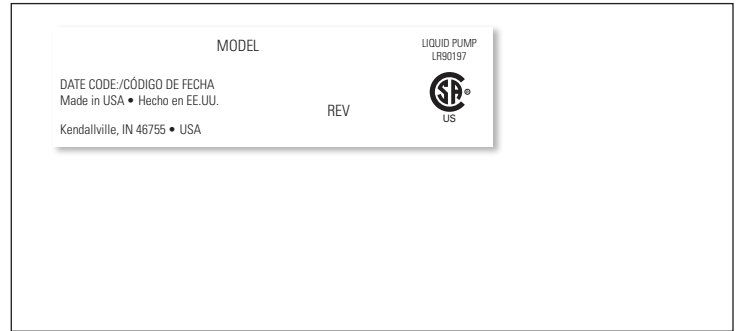
⚠ PRECAUCIÓN: Drene todo el sistema si hay peligro de congelación. Se proporciona un tapón de vaciado en la parte inferior de la bomba para este fin.



LISTA DE VERIFICACIÓN RÁPIDA PARA SOLUCIÓN DE PROBLEMAS

Revise las siguientes preguntas de solución de problemas antes de devolver una bomba como defectuosa. Si tiene alguna pregunta, llame a Servicio al Cliente al (800) 584-8089.

1. Verifique la garantía que aparece en las instrucciones para asegurarse de que la bomba cumpla con los requisitos de garantía.



2. Asegúrese de que la fuente de alimentación cumpla con los requisitos de la bomba. Esta bomba tiene un motor de voltaje doble y puede funcionar con 115 voltios o 230 voltios. NOTA: la bomba viene preconfigurada de fábrica para funcionar a 230 V.

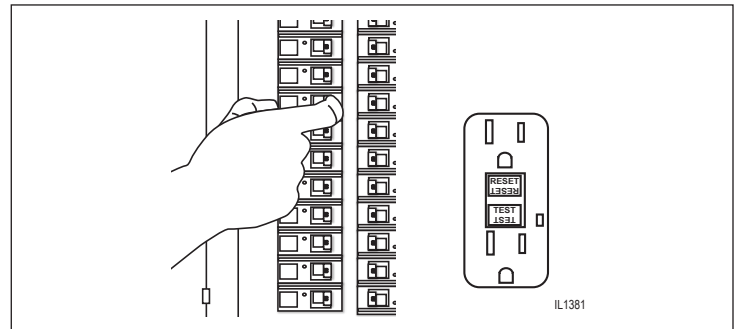
Volts	115/230	S.F.	1.2	Amps	14/7
S.F. Amps:	14/7	RPM	3450	Type	C
Duty:	Cont.	Temp	65C	KVA Code	G
Frame	56L	Ins Class	B		

Factory prewired for 230V Thermally protected automatically
 Check voltage of power source Use copper conductors only

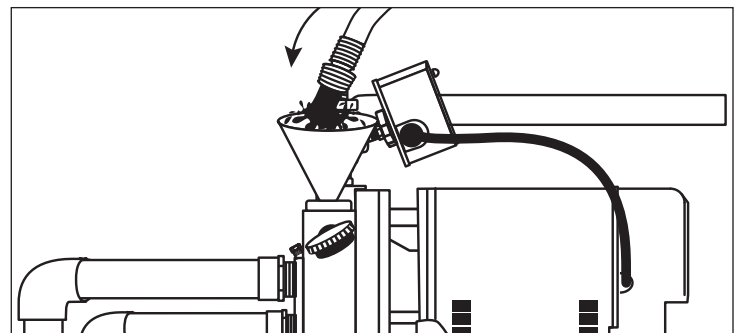
⚠ ELECTRICAL HAZARD ⚡

Improper installation may result in fire, explosion, electrical short or injury. Replace all cover before operating. Ground motor in accordance with local and national electrical codes. Disconnect power source before touching internal parts. Motors equipped with automatic protection may restart without warning.

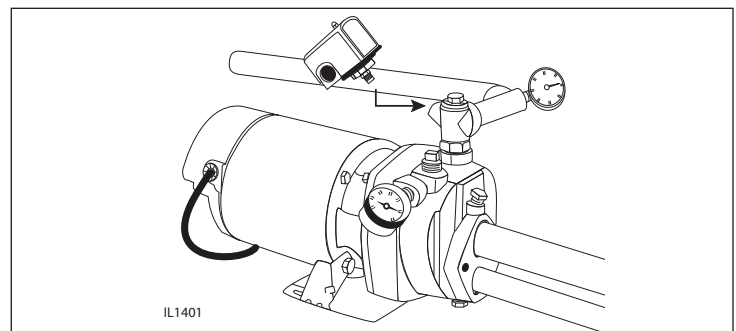
3. Si la bomba no arranca, verifique el GFI o el interruptor del panel de disyuntores para ver si está en pleno funcionamiento.



4. Si la bomba funciona todo el tiempo, asegúrese de que la bomba haya sido cebada correctamente. Si la bomba no está reteniendo el cebado, inspeccione la válvula de retención, la válvula de zapata y la tubería, luego vuelva a cebar.



5. Si la bomba funciona pero no se apaga, revise el presostato.



SOLUCIÓN DE PROBLEMAS

PROBLEMA	CAUSA POSIBLE	ACCIÓN CORRECTIVA
La descarga es mínima o no hay descarga	1. El entubado no está inicialmente relleno con agua	1. Llene el entubado de la bomba
	2. La elevación de succión es demasiado alta o demasiado larga	2. Acerque la bomba al suministro de agua
	3. Hay un orificio o una fuga de aire en la tubería de succión	3. Reemplace o repare. Use cinta para tuberías y compuesto para uniones de tuberías
	4. La válvula de pie es demasiado pequeña	4. Ajuste la válvula de pie a la tubería o instale una más grande.
	5. La válvula de pie o la tubería de succión no están bien sumergidas en el agua	5. Sumérjalos más profundo en el agua
	6. El motor está cableado incorrectamente	6. Verifique el diagrama del cableado
	7. La empaquetadura del entubado tiene una fuga	7. Reemplace
	8. Las válvulas de succión o descarga están cerradas	8. Abra
La bomba no proporciona agua ni genera presión	1. No hay agua del cebado en el entubado	1. Llene el entubado de la bomba
	2. Hay una fuga en la tubería de succión	2. Repare o reemplace
	3. La tubería de descarga está cerrada y el aire del cebado no tiene dónde ir	3. Abra la válvula de bola
	4. La tubería de succión (o válvula) está cerrada	4. Abra
	5. La válvula de pie tiene una fuga	5. Reemplace la válvula de pie
	6. La malla de succión está tapada	6. Limpie o reemplace
Pérdida de succión	1. Hay una fuga de aire en la tubería de succión	1. Repare o reemplace
	2. La elevación de succión es demasiado alta	2. Baje la elevación de succión, instale una válvula de pie y cebe
	3. La presión de entrada o la altura de succión es insuficiente	3. Aumente la presión de entrada agregando más agua en el tanque o aumentando la contrapresión
	4. La válvula de pie o colador están tapados	4. Destape
La bomba vibra y/o hace demasiado ruido	1. La placa de montaje o base no están lo suficientemente rígidas	1. Refuerce
	2. Hay material extraño en la bomba	2. Desensamble la bomba y límpiela
	3. El impulsor está dañado	3. Reemplace
	4. Los cojinetes del motor están gastados	4. Reemplace
La bomba no enciende ni funciona	1. No está conectada correctamente	1. Verifique el diagrama del cableado en el motor
	2. El fusible está fundido, o el interruptor de circuito está abierto	2. Reemplace el fusible o cierre el interruptor del circuito
	3. El cableado está flojo o roto	3. Apriete las conexiones, reemplace los cables rotos
	4. Hay piedras u objetos extraños en el impulsor	4. Desensamble la bomba y retire el objeto extraño
	5. El motor se fundió	5. Reemplace
	6. Una sobrecarga térmica abrió el circuito	6. Permita que la unidad se enfríe. Reinicie después de haber determinado la razón de la sobrecarga

GARANTÍA

Este producto se garantiza por dos años a partir de la fecha de compra. Sujeto a las condiciones indicadas a continuación, el fabricante se compromete a reparar o reemplazar al consumidor original cualquier parte del producto que resulte defectuosa debido a defectos de materiales o mano de obra. Para obtener el servicio de garantía, póngase en contacto con el distribuidor al que le compró el producto. El fabricante se reserva el derecho y la opción exclusivos de determinar si se deben reparar o sustituir los equipos, piezas o componentes defectuosos. Los daños debidos a circunstancias ajenas al control del fabricante no están cubiertos por esta garantía.

ESTA GARANTÍA NO APLICARÁ: (a) a defectos o mal funcionamiento ocasionados por no instalar, operar o mantener la unidad de acuerdo con las instrucciones impresas proporcionadas, (b) a los fallos resultantes del abuso, accidentes o negligencia o uso inapropiado de productos químicos o aditivos en el agua, (c) a los servicios normales de mantenimiento y las piezas utilizadas en relación con dicho servicio; (d) a las unidades que no estén instaladas de acuerdo con los códigos locales, ordenanzas y buenas prácticas comerciales normalmente aplicables y (e) la unidad se utiliza para fines distintos a los que fue diseñada y fabricada.

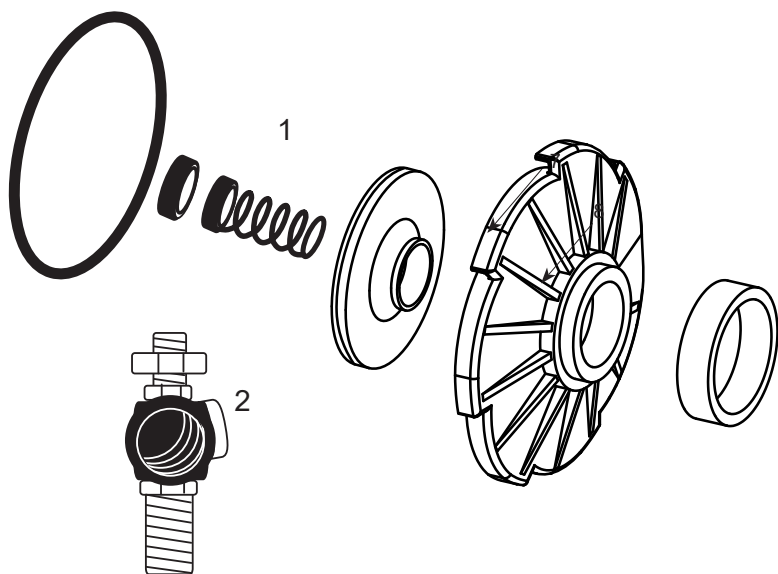
DEVOLUCIÓN DE COMPONENTES EN GARANTÍA: Cualquier elemento a ser reparado o reemplazado bajo esta garantía debe ser devuelto al fabricante en Kendallville, Indiana o a cualquier otro lugar que el fabricante pueda designar, con flete prepago.

LA GARANTÍA AQUÍ CONTENIDA ESTÁ EN LUGAR DE TODAS LAS OTRAS GARANTÍAS EXPRESAS Y NO PUEDE SER AMPLIADA O MODIFICADA POR NADIE. CUALQUIER GARANTÍA IMPLÍCITA DEBERÁ LIMITARSE AL PERÍODO DE ESTA GARANTÍA LIMITADA Y A PARTIR DE ENTONCES TODAS DICHAS GARANTÍAS IMPLÍCITAS QUEDARÁN RECHAZADAS Y EXCLUIDAS. EL FABRICANTE NO SERÁ RESPONSABLE, BAJO NINGUNA CIRCUNSTANCIA, DE NINGÚN DAÑO INCIDENTAL, CONSECUENTE O ESPECIAL, COMO, A TÍTULO ENUNCIATIVO PERO NO RESTRICTIVO, LA PÉRDIDA DE OTROS BIENES O EQUIPOS, LA PÉRDIDA DE BENEFICIOS, INCONVENIENTES U OTROS DAÑOS INCIDENTALES O CONSECUENTES DE CUALQUIER TIPO O CARÁCTER. LA RESPONSABILIDAD DEL FABRICANTE NO DEBERÁ SUPERAR EL PRECIO DEL PRODUCTO EN EL CUAL SE BASE TAL RESPONSABILIDAD.

Esta garantía le otorga a usted derechos legales específicos y podría tener otros derechos que varían de un estado a otro. Algunos estados no permiten limitaciones en la duración de una garantía implícita, de forma que la limitación anterior podría no aplicar a usted. Algunos estados no permiten la exclusión o limitación de daños incidentales o emergentes, de forma que la limitación o exclusión anterior podría no aplicar a usted.

En aquellas instancias en que haya daños causados por una presunta falla de la bomba, el propietario deberá conservar la bomba a fin de investigar dicha falla.

PIEZAS DE REPUESTO



ARTÍCULO	DESCRIPCIÓN	PIEZA NO.
1	El juego de reparación incluye un impulsor, un difusor, un sello giratorio, un Quadraseal y una goma del difusor	148140
2	Conjunto de control de flujo	134349

