



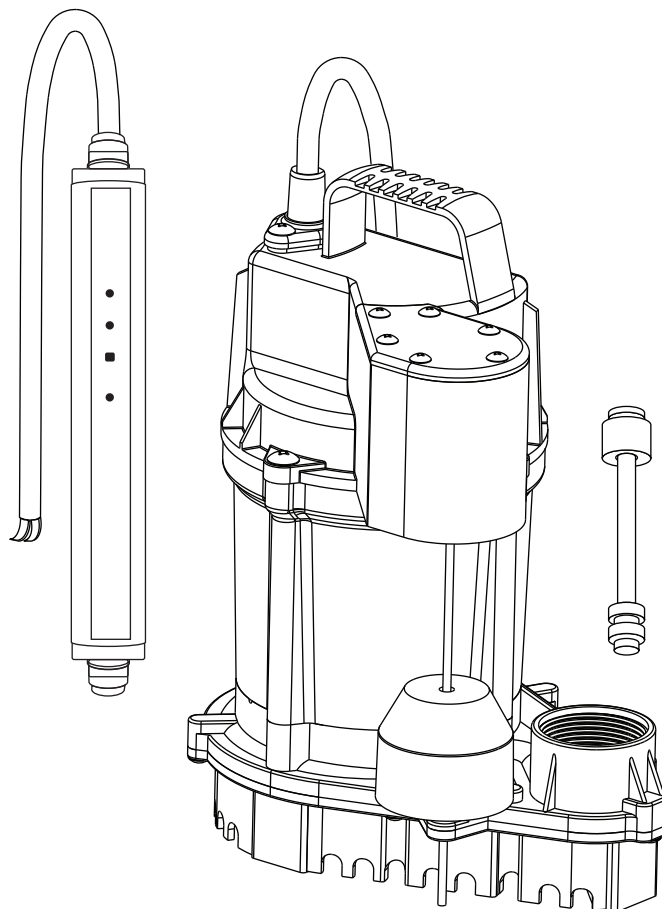
INTELLIGENT SUMP HIGH VOLUME WiFi SUMP PUMP

MODEL #STBS700

Zoeller® is a registered trademark of Zoeller Co.
All Rights Reserved.

Español p. 17

BasementSentry.com



ATTACH YOUR RECEIPT HERE

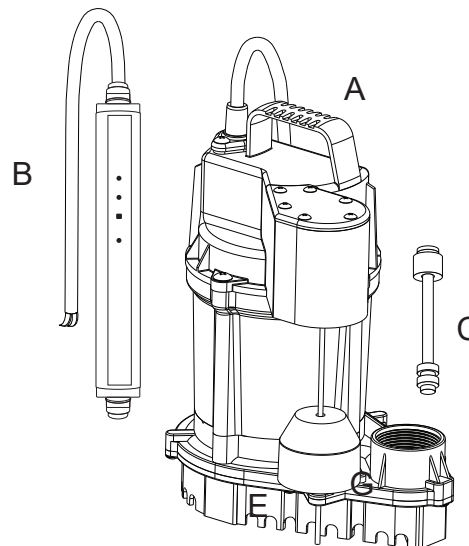
Purchase Date _____



Questions, problems, missing parts? Before returning to your retailer, call our customer service department at 1-800-584-8089, 7:30 a.m. - 5:00 p.m., EST, Monday - Friday.

PACKAGE CONTENTS

DESCRIPTION		QUANTITY
A	Pump	1
B	Controller	1
C	Dual float	1



SPECIFICATIONS

MODEL	HP	DISCHARGE	AMPS	PERFORMANCE IN GALLONS PER MINUTE				
				0 FT.	5 FT.	10 FT.	15 FT.	20 FT.
STBS700	3/4	1-1/2 in.	9.0	80	72	62	50	35

SAFETY INFORMATION

Please read and understand this entire manual before attempting to assemble, operate, or install the product.

NOTE: Pumps with the “UL” Mark and pumps with the “US” mark are tested to UL Standard UL778. CSA certified pumps are certified to CSA Standard C22.2 No. 108. (CUS.)

DANGER

- **FIRE/EXPLOSION HAZARD.**
Pump only clear water. Do not pump flammable or explosive fluids such as gasoline, fuel oil, kerosene, etc. Do not use in a flammable and/or explosive atmosphere. Failure to follow these warnings could result in death or serious injury and/or property damage.
- **RISK OF ELECTRIC SHOCK.**
These pumps have not been investigated for use in swimming pool and marine areas.
- **RISK OF ELECTRIC SHOCK.**
Always disconnect power source before attempting to install, service, or maintain the pump. Never handle a pump with wet hands or when standing on wet or damp surface or in water. Fatal electrical shock could occur.
- **RISK OF ELECTRIC SHOCK.**
Keep pump out of reach of children.

SAFETY INFORMATION (CONTINUED)

WARNING

- **ELECTRICAL SHOCK ALERT.**
Before installing this product, have the electrical circuit checked by an electrician to ensure proper grounding. All electrical installations must conform to the National Electric Code and all local codes.
- **ELECTRICAL SHOCK ALERT.**
Connect this product to a properly-grounded 115 volt circuit equipped with a Ground Fault Circuit Interrupter (GFCI) device. Make sure the electrical supply circuit is equipped with fuses or circuit breakers with a minimum capacity of 15 amps.
- **ELECTRICAL SHOCK ALERT.**
Never use an extension cord.
- **ELECTRICAL SHOCK ALERT.**
These pumps are supplied with a 3-prong grounded plug to help protect you against the possibility of electrical shock. **DO NOT UNDER ANY CIRCUMSTANCES REMOVE THE GROUND PIN.**
- **ELECTRICAL SHOCK ALERT.**
Do not remove or replace the power cord.
- **ELECTRICAL SHOCK ALERT.**
Protect electrical cord from sharp objects, hot surfaces, oil, and chemicals. Avoid kinking the cord.
- **PROP65 WARNING FOR CALIFORNIA RESIDENTS:**
Cancer and Reproductive Harm – www.P65Warnings.ca.gov

CAUTION

- **PERSONAL INJURY OR PRODUCT DAMAGE MAY RESULT.**
This pump operates on 115 volts. Make certain that the power source conforms to the requirements of your equipment.
- **PRODUCT DAMAGE MAY RESULT.**
The continuous operating water temperature for this pump must not exceed 104°F (40°C).
- **PRODUCT DAMAGE MAY RESULT.**
This pump is designed to pump water only. It has not been evaluated for pumping chemicals or corrosive materials.
- **PRODUCT DAMAGE MAY RESULT.**
Inspect the pump regularly for damage and perform routine maintenance as needed. Remove any debris that may build up around the on/off operation of the float.
- **PROPERTY DAMAGE MAY RESULT.**
This product requires a 3/16-in vent hole to be drilled in the discharge pipe, level with the top of the pump. The vent hole should be checked periodically for clogs. It is normal for water to come out of this vent hole during pump operation.
- **PROPERTY OR PRODUCT DAMAGE MAY RESULT.**
This pump is not designed for pumping effluent or sewage.
- **PRODUCT DAMAGE MAY RESULT.**
This pump is not designed for continuous operation.
-

CONNECTING THE STBS700 PUMP TO THE CONTROLLER

By connecting the STBS700 pump to the Basement Sentry app using the built-in WIFI, the user can set up free alert messages via email and mobile app “push” notifications. In addition, the user can verify the STBS700 pump readiness, remotely silence alarms, reset the unit, configure settings, and modify how notifications are sent. Other visual information such as pump status are available through the web and app interfaces.

Before you begin:

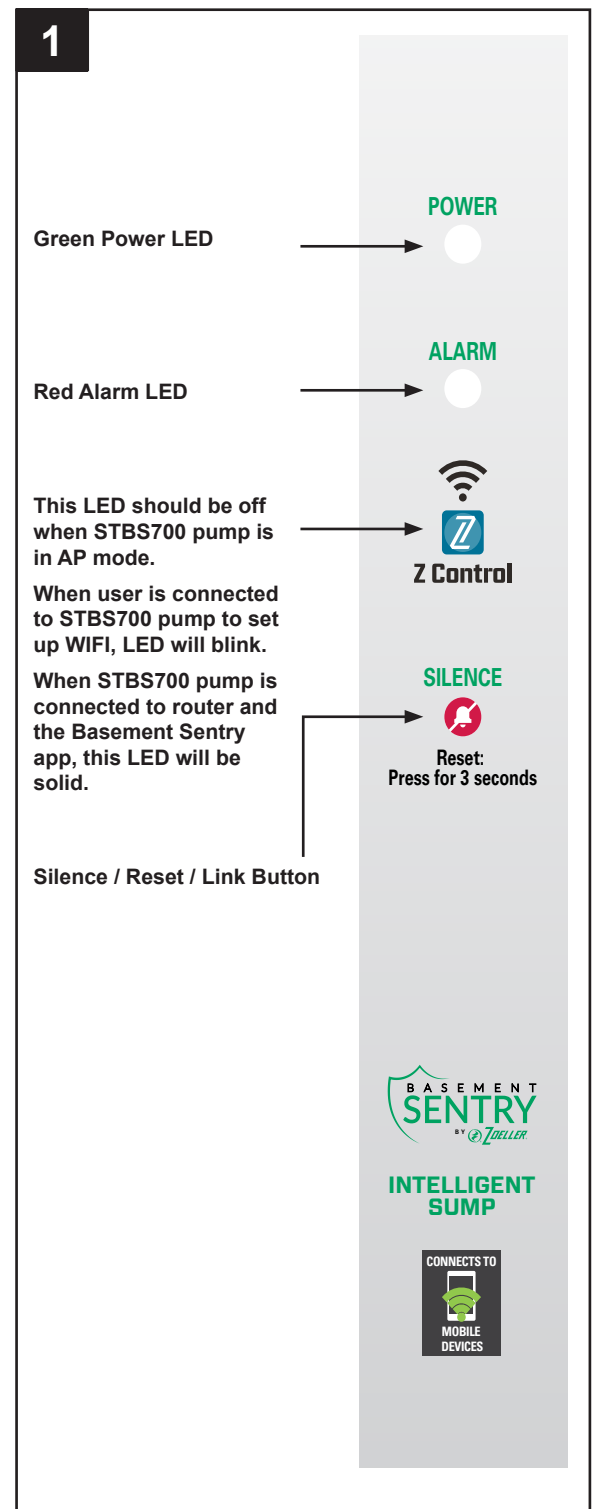
- Download the Z Control® App, set up account, or go to zcontrolcloud.com and create account.
- Know your WIFI network’s name (SSID) and the password. Double check that you know the correct password and exactly how it is spelled, including capitalization. This will prevent the most common troubleshooting issue.
- Verify your WIFI router is connected to the internet.
- Verify your phone, tablet, or computer has working WIFI, can connect to your WIFI router, and that you can be close to the STBS700 pump during the installation process.
- Locate and note the STBS700 pump Device ID on the silver sticker on the back of the pump.

Option 1 - Use the Mobile App (iOS and Android)

Before you begin:

- Know what the WiFi router is named (i.e. SSID) and password. To prevent the most common troubleshooting issues, double check to be sure you know exactly how the password is spelled, including capitalization.
- Verify that your mobile device has working WiFi with a strong signal when you are standing next to the Basement Sentry controller. If the signal is questionable, the controller may not be able to maintain a stable connection.
- Verify your WiFi router is connected to the internet and that it is broadcasting a visible, secure, 2.4Ghz network.
- 2.4 Ghz network is required. If you only see 5 Ghz networks, you may need to log into your dual band router to choose to broadcast the networks separately.
- Band steering may need to be temporarily turned off during setup.
- The 2.4Ghz network must use WPA or WPA2 security. WEP and open networks are not acceptable.
- Any VPNs or other network controls may need to be temporarily turned off during setup.
- Locate the Basement Sentry Device ID located on the bottom of the controller.
- Like most internet connected devices, the Basement Sentry controller WiFi connectivity should be used behind the security of a firewall. Most routers have a firewall built into them. Consult a networking professional for specific questions about firewalls.

NOTE: The list above will also help troubleshoot connectivity issues.

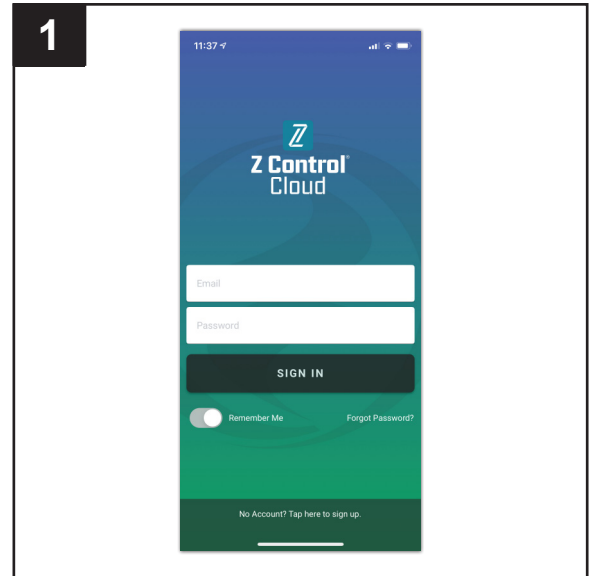


CONNECTING THE STBS700 PUMP TO THE CONTROLLER (CONTINUED)

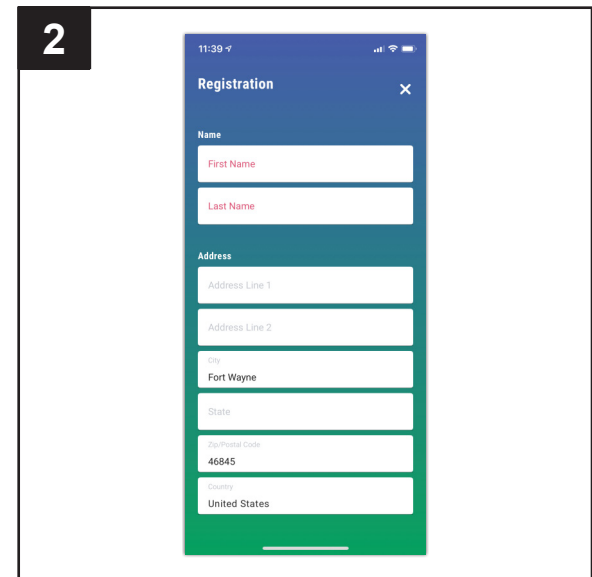
Use the Mobile App (iOS and Android) (Continued)

These instructions provide an overview of what the app will do. You may find additional steps needed.

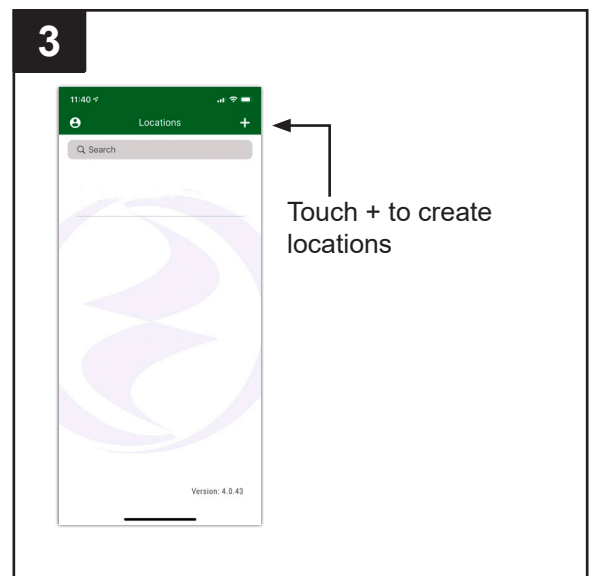
1. Open the app and sign in to your account. If you do not have an account, you will need to click the link at the bottom of the home screen to create an account.



2. Open your profile to set up any additional phone numbers or email addresses where notifications should be sent.



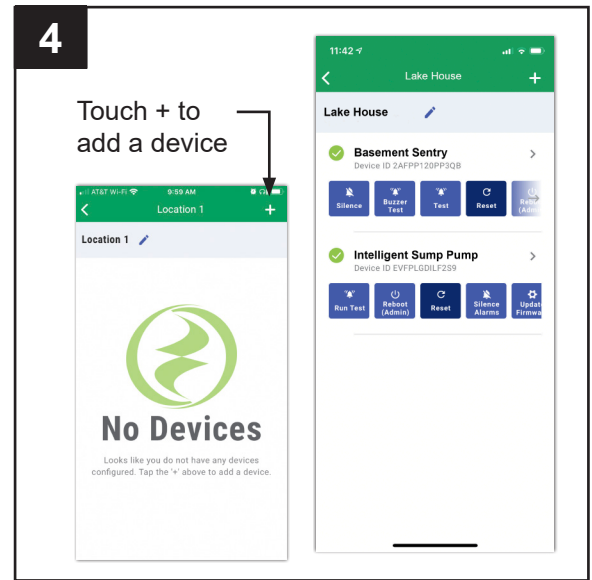
3. Once you're logged in to your account, create locations by touching the "+" from the Locations screen.



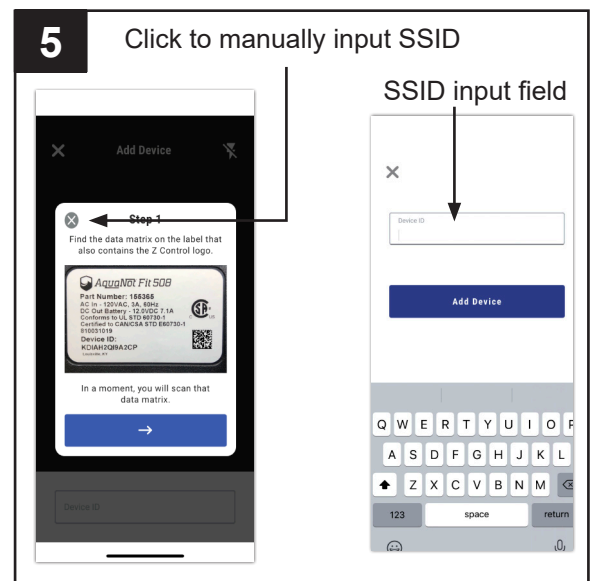
CONNECTING THE STBS700 PUMP TO THE CONTROLLER (CONTINUED)

Use the Mobile App (iOS and Android) (Continued)

- Once a location is created, you will need to add a device. To add a device, choose the desired location name and then touch the “+” to start adding a device. Allow access to the camera so you can scan the data matrix.



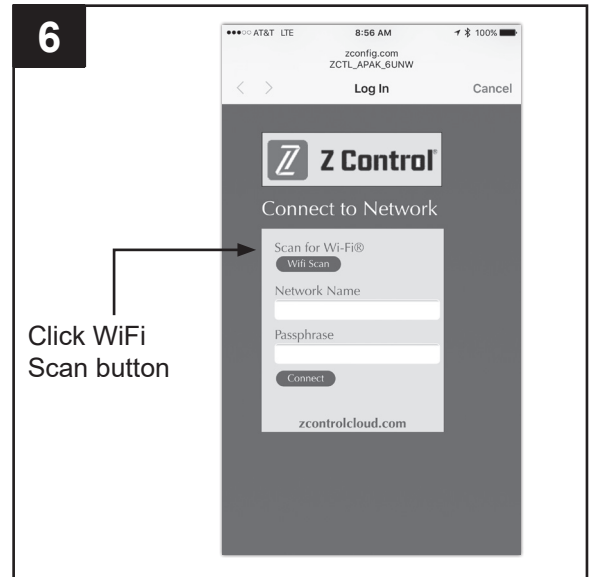
- The app will ask you to scan the data matrix QR code on the controller. You can also bypass this step and manually input the SSID of the controller, which is found on the controller label.



CONNECTING THE STBS700 PUMP TO THE CONTROLLER (CONTINUED)

Use the Mobile App (iOS and Android) (Continued)

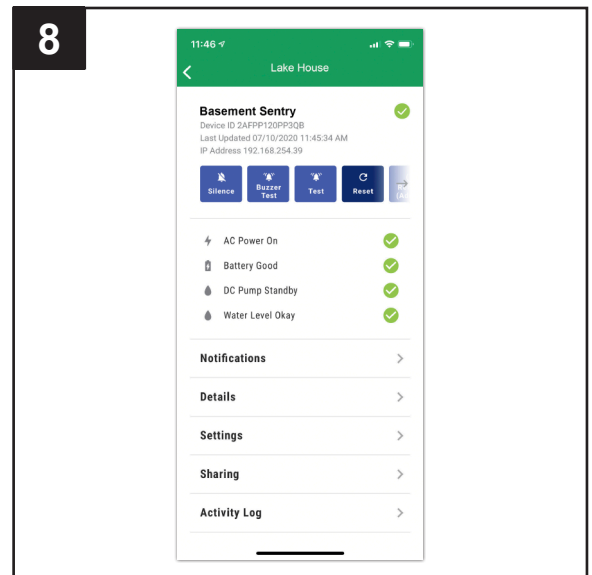
6. When the captive screen opens, use the WiFi Scan button to find the WiFi network you want the controller to use, select it from the list provided at the bottom of the screen (you may need to scroll), and type the password in the field. The Z Control® LED should be solid within a minute indicating successful connection to the router and the Z Control® Cloud. Upon first connecting to the cloud, the Basement Sentry controller may immediately update its firmware over-the-air (OTA), if an update is available. If an update is taking place, the Z Control® LED will flicker for up to one minute while the update is downloaded. The Z Control® LED will be solid and all other LEDs will turn off while the update is being installed. After up to one minute, the controller will restart and return to normal operation. The controller alert history on the Z Control® Cloud will also be updated with the firmware update information, and any email accounts that are set up will be notified.



7. You can now return to the Z Control® app to find your new device set up in the location you previously selected. You can always change a device to a different location in your account.



8. Open the Basement Sentry app to explore current status, configuration settings, and commands available, such as Pump Test, Buzzer Test, Silence, etc. Perform these test to be sure everything works as expected. Reset all alarms when you are finished.



CONNECTING THE STBS700 PUMP TO THE CONTROLLER (CONTINUED)

Option 2 - Use your mobile device or computer to connect directly to the Basement Sentry controller

Instead of using a mobile device and the Z Control® app, you can also use your mobile device or computer to directly connect to the controller.

Before you begin:

- Know what the WiFi router is named (i.e. SSID) and password. To prevent the most common troubleshooting issues, double check to be sure you know exactly how the password is spelled, including capitalization.
- Verify that your mobile device has working WiFi with a strong signal when you are standing next to the Basement Sentry controller. If the signal is questionable, the controller may not be able to maintain a stable connection.
- Verify your WiFi router is connected to the internet and that it is broadcasting a visible, secure, 2.4Ghz network.
- 2.4 Ghz network is required. If you only see 5 Ghz networks, you may need to log into your dual band router to choose to broadcast the networks separately.
- Band steering may need to be temporarily turned off during setup.
- The 2.4Ghz network must use WPA or WPA2 security. WEP and open networks are not acceptable.

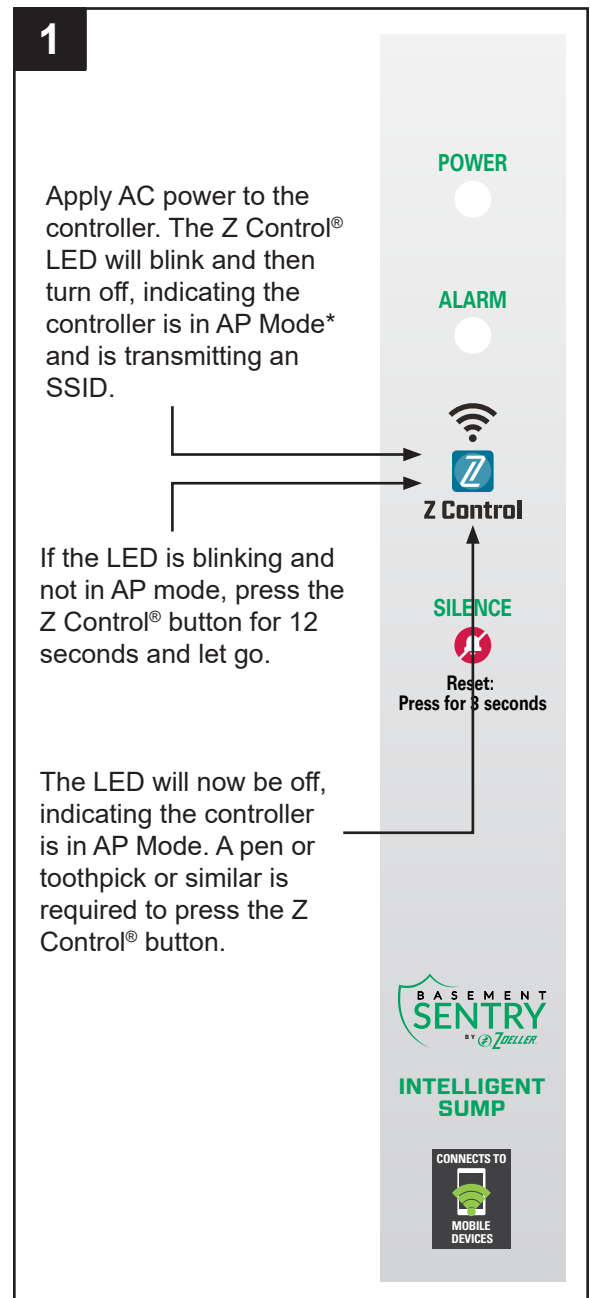
1. Plug the controller into AC outlet. The Power LED will illuminate. The alarm LED and white Z Control will flash once, indicating the controller is transmitting

*AP Mode is when the controller is broadcasting its “name”, or SSID. The SSID is in a format similar to ZCTL_SSUMP_XXXX where “xxxx” is the first 4 digits of your controller device ID (See Figure 2). The Basement Sentry controller SSID will show up in your phone/tablet/computer’s list of available WiFi options, and selecting it will give you direct connectivity to the controller. This is required in order to give your controller the password credentials needed to connect to the WiFi of your choice.

- Any VPNs or other network controls may need to be temporarily turned off during setup.
- Create a free account at zcontrolcloud.com.
- Locate the Basement Sentry Device ID located on the top of the controller.

NOTE: The above list also helps to troubleshoot connectivity issues.

If the controller still will not connect after trying the above suggestions, follow the same steps to connect the controller to a mobile phone hotspot instead of the home WiFi router. If the controller successfully connects to the cloud through the hotspot, then the conflict is probably related to router settings.



CONNECTING THE STBS700 PUMP TO THE CONTROLLER (CONTINUED)

Connecting with your mobile device or computer (Continued)

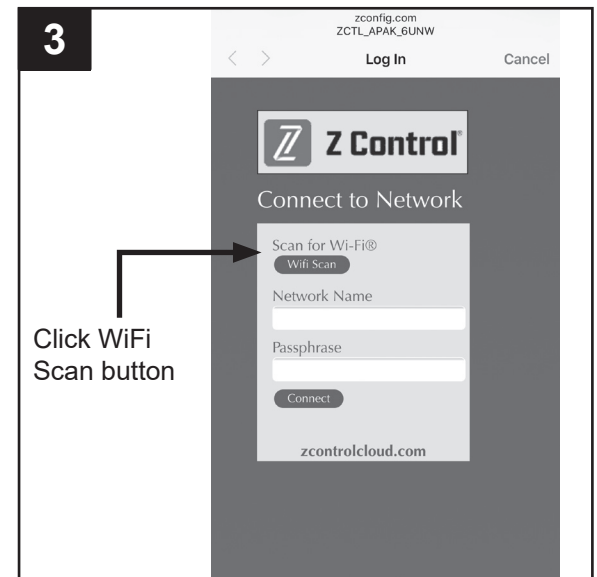
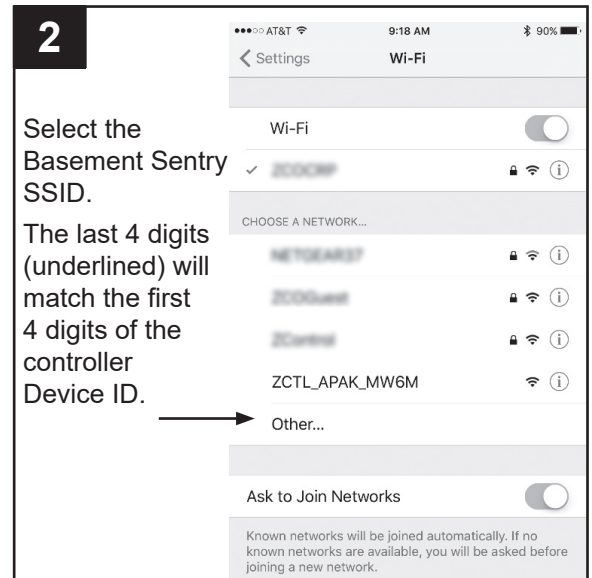
2. Standing near the controller, use your phone, tablet, or computer to look for the Basement Sentry controller SSID in your WiFi settings. It will look similar to “ZCTL_SSUMP_XXXX” where “xxxx” is the first 4 digits of your controller device ID. Select this, and be sure your device displays a check mark or similar indicator that you are connected to the controller local network. If so, two things will happen:

- A. The Z Control® LED will flash quickly.
- B. A Z Control® setup screen (Figure 3) will open. This may take up to 30 seconds.

If the setup screen does not appear, open a browser on the same device and type “192.168.125.1” in the address bar. If the setup screen appears but is not used (canceled or otherwise closed), the controller will return to AP mode and the Z Control® LED will turn off until the next WiFi setup attempt. If the setup screen still does not appear, verify your device is still connected to the controller SSID. If it isn't, repeat Step 2 and be sure your device's WiFi stays connected to the controller. If your device shows a warning message about no internet or no security on the controller network, ignore this and connect to it anyway.

3. On the setup screen, press the WiFi Scan button, scroll down to see the list of WiFi signals found, and choose the WiFi you want the Basement Sentry controller to use for internet connectivity. Enter the password for the router you chose in the field indicated. If the password is correct, the controller will connect to the router and start sending status updates to zcontrolcloud.com. You will see the Z Control® LED go from blinking to solid. This could take up to a minute or so.

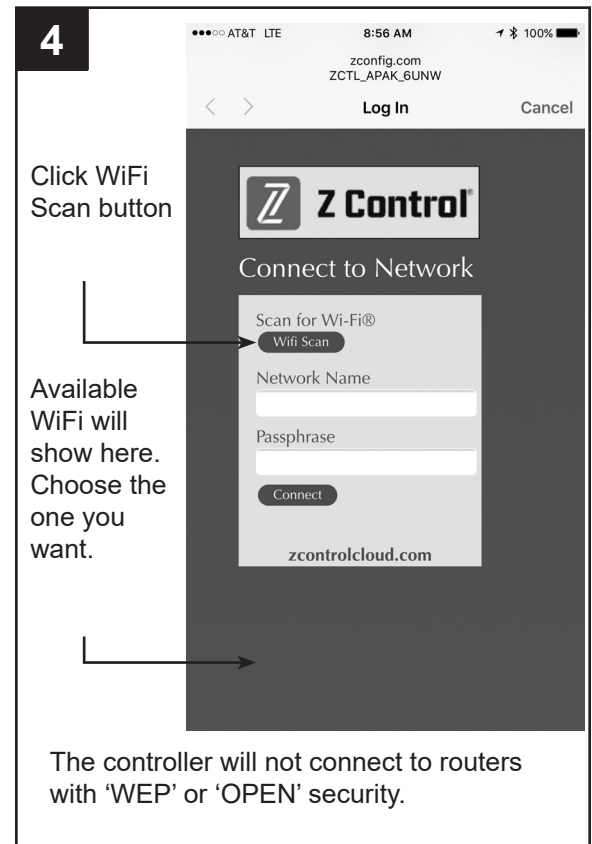
If the LED does not turn solid, then the password entered is incorrect, the router's security is insufficient (see note below**), or some other network restriction is in place (see your network administrator). The controller will return to standby mode if the connection to router is not successful. If you need to force the controller into AP mode again, press the Z Control® button for 12 seconds (See Figure 1). This will cause the controller to re-enter AP mode and begin transmitting the SSID again. Repeat Steps 2 and 3.



CONNECTING THE STBS700 PUMP TO THE CONTROLLER (CONTINUED)

Connecting with your mobile device or computer (Continued)

4. Once the controller LED is solid, log in to your account (or create one) at zcontrolcloud.com. Choose the Add New Device button next to the location you want the controller (see Figure D). Follow the directions to add your controller by either auto-detect or entering the Device I.D. When successful, a Basement Sentry product tile will appear in your account.



Firmware Updates

The Basement Sentry controller is capable of OTA, or over-the-air firmware updates. It's possible that the controller could perform an update immediately if one is available at the Z Control® Cloud. If an update is taking place, the Z Control® LED will flicker for up to one minute while the update is downloaded. The Z Control® LED will be solid and all other LEDs will turn off while the update is being installed. After up to one minute, the controller will restart and return to normal operation. The controller's alert history on the Z Control® Cloud will also be updated with

the firmware upgrade information, and notification to email accounts will occur.

Controller Set-Up

Your Basement Sentry controller is now online. Be sure you have added the contact information for phone numbers and email addresses that should receive notification. This can be done by selecting "Manage Contacts" from the main menu (the square with 3 lines in the upper right corner). You can also edit how each device sends out notifications from the devices

"Alarm Settings" tab. You can now open the product's configuration by clicking the "View" button to modify the controller device and notification settings. You can also

install the Z Control® mobile app on your mobile device (Android and iOS versions available, search "Z Control®" in the app stores).

STBS700 PUMP LED, BUTTON, ALARM, AND CONTROLLER BEHAVIORS

Z Control LED and Alarm Behaviors	Power LED	Power LED is on when AC power is present.
	Alarm	Input LED on solid. Alarm triple beeps continuously.
	Z Control LED	LED is solid when connected to router and Basement Sentry app. LED is off when STBS700 controller is in AP mode.* LED blinks when WIFI setup is in process. LED blinks faster if STBS700 controller is attempting to reconnect to a known router. LED alternates blinking fast then slow when STBS700 controller is connected to router, but internet is lost.
Silence Button	Press/release	Silences alarms. LED that is in alarm stays on (or blinks) until STBS700 controller is reset.
	Hold 3 seconds	Resets any active alarms and returns STBS700 controller to standby mode.
	Hold 4 seconds	Initiates an LED and Alarm Test. Will flash and double beep 3 times.
	Hold while applying AC to STBS700 controller	STBS700 controller will enter AP mode.* For STBS700 controller to revert to previous WIFI settings, power cycle again.
	Hold 12 seconds	Complete reset of STBS700 controller to factory settings, including erasing WIFI settings. STBS700 controller will enter AP mode.*
Communications	Communication with Basement Sentry app	Communication is nearly continuous.
	Communication with Basement Sentry app lost	Notification sent to user after 10 minutes of no communication.
	Alarm condition present	Immediate communication to Basement Sentry app.

Product information presented here reflects conditions at time of publication. Consult factory regarding discrepancies or inconsistencies.

PREPARATION

Estimated Installation Time: 15 minutes

Materials required for assembly: Sump basin, inlet piping, discharge piping (PVC, poly pipe or galvanized steel), check valve, and 2-step PVC glue system (primer and sealer).

This pump is designed to be installed in a sump basin for removing clear drain water and will usually pass small particles suspended in water. Heavy mud, sand, or pea gravel can clog the pump, which can usually be cleaned out by back-flushing with a garden hose through the pump discharge.

The sump basin must be at least 18-in deep and 10-in diameter.

Dual float operation:

The pump will turn on when the large, primary float is in the up position and off when the primary float is in the down position.

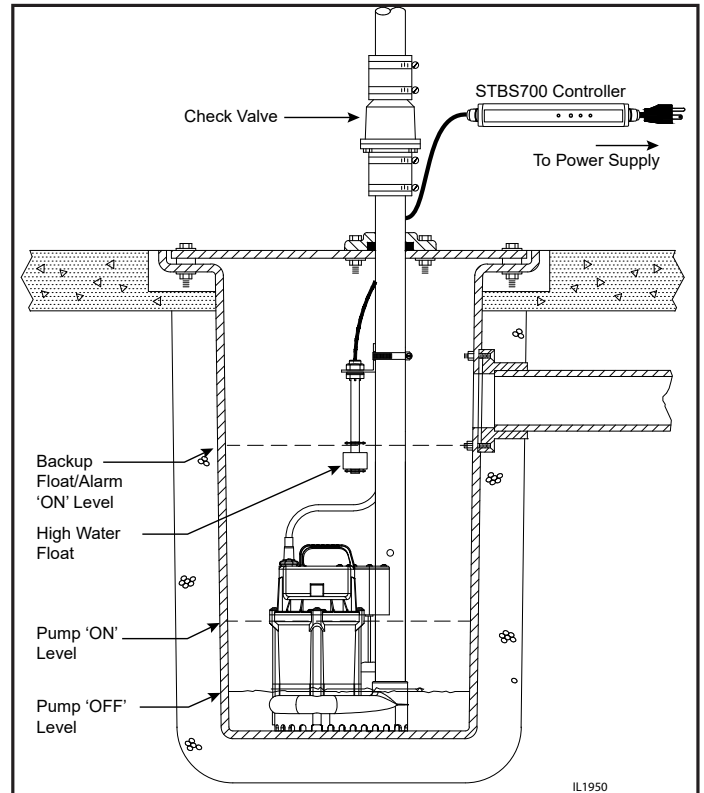
If the pump runs for more than 25 seconds (primary float is high) and the small backup float is in the down position, the primary float will be temporarily disabled. If the primary float moves to the down position or three minutes have elapsed, the primary float is re-enabled.

If the backup float moves up, the pump will turn on. When the backup float moves down, a 10 second timer will be enabled. The pump will run until the primary float drops down and the 10 second timer has expired.

On / Off Levels - Primary Float Switch

Primary Float Switch	
On Level	7 in.
Off Level	3 in.

These pumps are equipped with a vertical float switch. The pump will turn on automatically when the water level in the sump reaches the float switch "on" level and turn off when the water drops to the float switch "off" level.



SUMP PUMP INSTALLATION

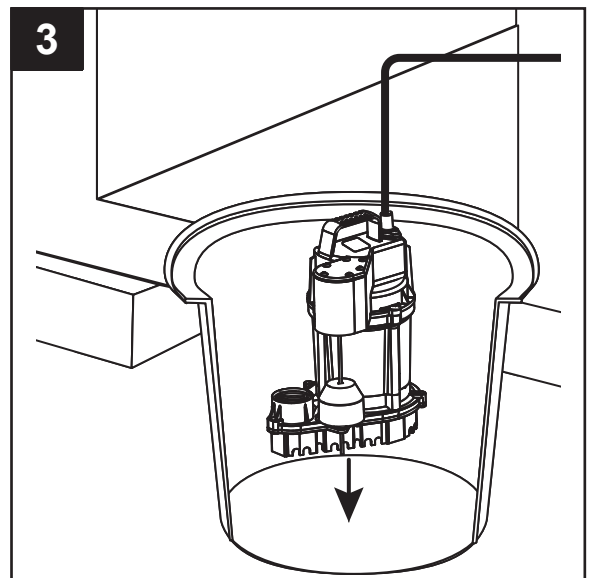
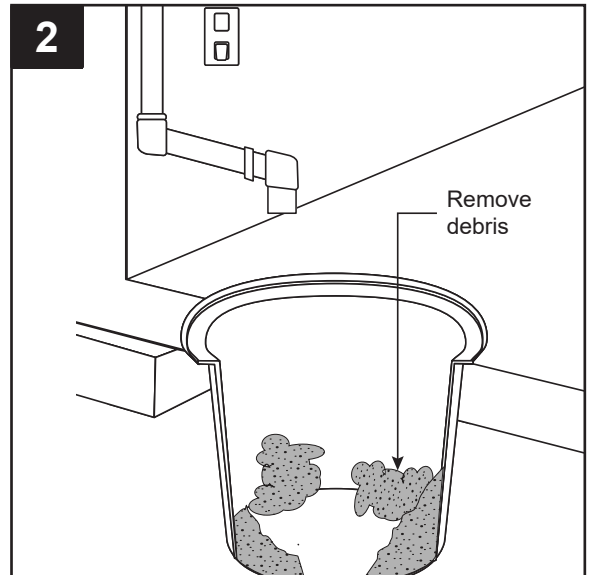
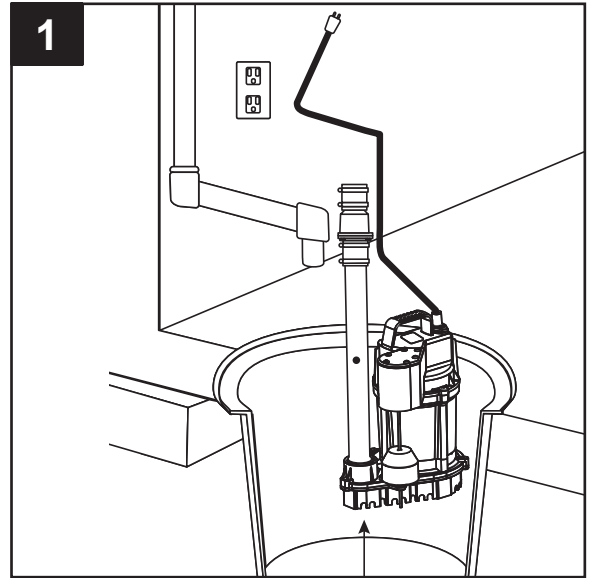
1. **CAUTION:** For your safety, turn off the electrical power at the service entrance to avoid any possible electrical shock hazards. Before installing the pump in the sump pit, be sure to unplug the pump from the outlet.

Disconnect the existing pump from the power source. Disconnect or cut the main discharge pipe and separate the primary sump pump from the discharge pipe. Remove the pump from the sump basin.

WARNING: Never handle a pump with wet hands or when standing on wet or damp surface or in water. Fatal electrical shock could occur.

2. Remove any dirt or accumulated debris from the sump pit and surrounding area.

3. Place the STBS700 pump in the sump basin.

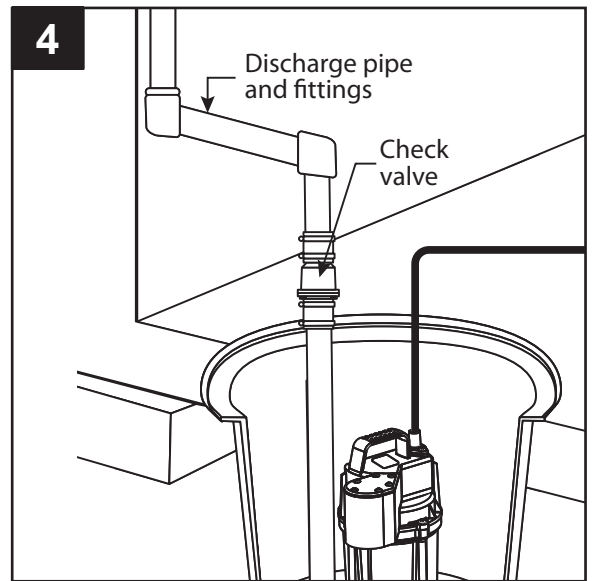


SUMP PUMP INSTALLATION (CONTINUED)

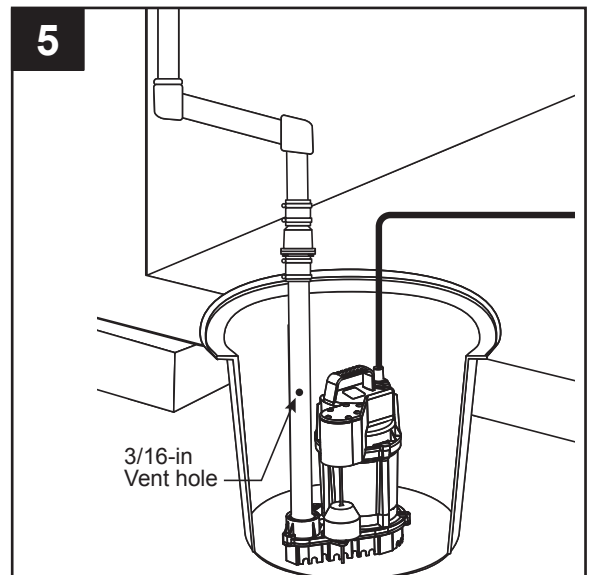
4. Connect the discharge pipe, fittings, and check valve (not provided) to pump discharge. The discharge pipe should be the same size as the discharge of pump (1-1/2-in) or larger.

A check valve must be installed in the discharge pipe to keep water from draining back into the sump basin when it is not operating.

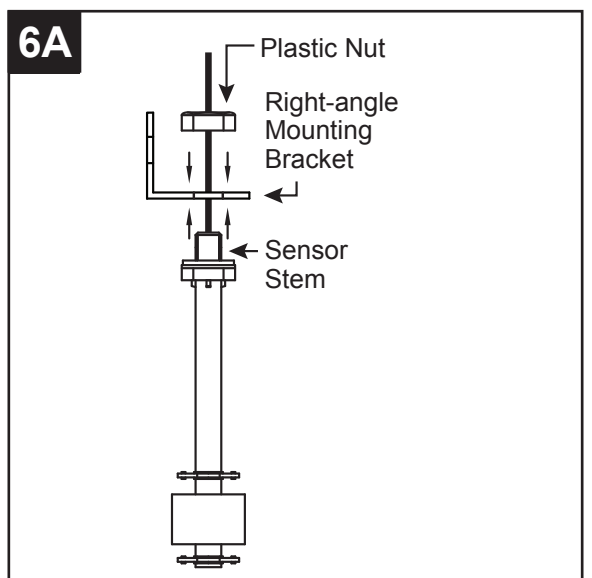
NOTE: Make sure there is enough room in the basin for the float to move freely. If the float is restricted, the pump will not operate.



5. Drill a 3/16-in vent hole in the discharge pipe, level with the top of pump. It is normal for water to spray from this hole when the pump is operating.

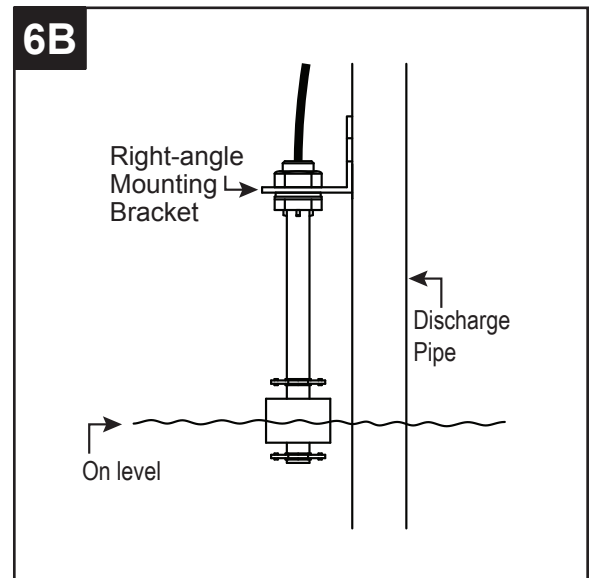


6. A. Fasten second float to right-angle mounting bracket by unthreading plastic nut. Re-tighten plastic nut after inserting sensor stem in bracket.



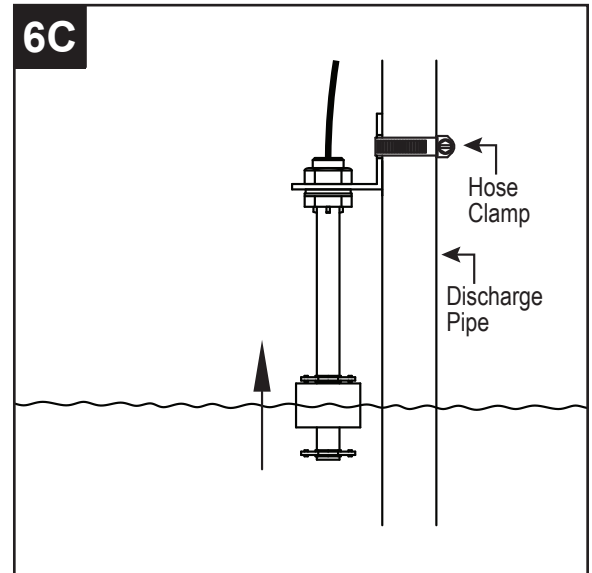
SUMP PUMP INSTALLATION (CONTINUED)

6. B. Position second float at desired 'on level' on the discharge pipe.



6. C. Attach mounting bracket to the discharge pipe as shown, using hose clamp (included).

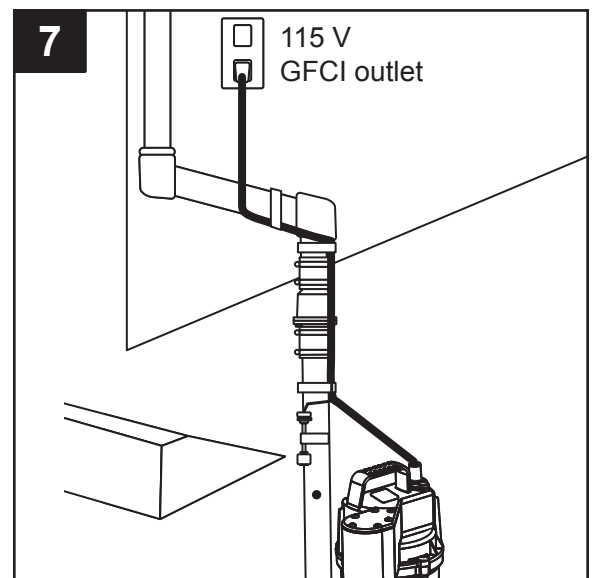
WARNING: DO NOT install high water float in direct line of incoming water or close to the vent hole.



7. Make sure your hands are dry and you are not standing in water. Connect the pump to a properly-grounded, GFCI electrical outlet.

WARNING: Do not use an extension cord.

NOTE: Tape the electrical cord to the discharge pipe to prevent it from interfering with the motion of the float.



WARRANTY

This product is warranted for three years from the date of purchase. Subject to the conditions hereinafter set forth, the manufacturer will repair or replace to the original consumer any portion of the product which proves defective due to defective materials or workmanship. To obtain warranty service, contact the dealer from whom the product was purchased. The manufacturer retains the sole right and option to determine whether to repair or replace defective equipment, parts, or components. Damage due to conditions beyond the control of the manufacturer is not covered by this warranty.

THIS WARRANTY WILL NOT APPLY: (a) To defects or malfunctions resulting from failure to properly install, operate, or maintain the unit in accordance with printed instructions provided; (b) to failures resulting from abuse, accident, or negligence, or use of inappropriate chemicals or additives in the water; (c) to normal maintenance services and the parts used in connection with such service; (d) to units which are not installed in accordance with normal applicable local codes, ordinances, and good trade practices; and (e) if the unit is used for purposes other than for what it was designed and manufactured.

RETURN OF WARRANTED COMPONENTS: Any item to be repaired or replaced under this warranty must be returned to the manufacturer at Kendallville, Indiana or such other place as the manufacturer may designate, freight prepaid.

THE WARRANTY PROVIDED HEREIN IS IN LIEU OF ALL OTHER EXPRESS WARRANTIES, AND MAY NOT BE EXTENDED OR MODIFIED BY ANYONE. ANY IMPLIED WARRANTIES SHALL BE LIMITED TO THE PERIOD OF THE LIMITED WARRANTY AND THEREAFTER ALL SUCH IMPLIED WARRANTIES ARE DISCLAIMED AND EXCLUDED. THE MANUFACTURER SHALL NOT, UNDER ANY CIRCUMSTANCES, BE LIABLE FOR INCIDENTAL, CONSEQUENTIAL OR SPECIAL DAMAGES, SUCH AS, BUT NOT LIMITED TO DAMAGE TO, OR LOSS OF, OTHER PROPERTY OR EQUIPMENT, LOSS OF PROFITS, INCONVENIENCE, OR OTHER INCIDENTAL OR CONSEQUENTIAL DAMAGES OF ANY TYPE OR NATURE. THE LIABILITY OF THE MANUFACTURER SHALL NOT EXCEED THE PRICE OF THE PRODUCT UPON WHICH SUCH LIABILITY IS BASED.

This warranty gives you specific legal rights, and you may have other rights which vary from state to state. Some states do not allow limitations on duration of implied warranties or exclusion of incidental or consequential damages, so the above limitations may not apply to you.

In those instances where damages are incurred as a result of an alleged pump failure, the Homeowner must retain possession of the pump for investigation purposes.

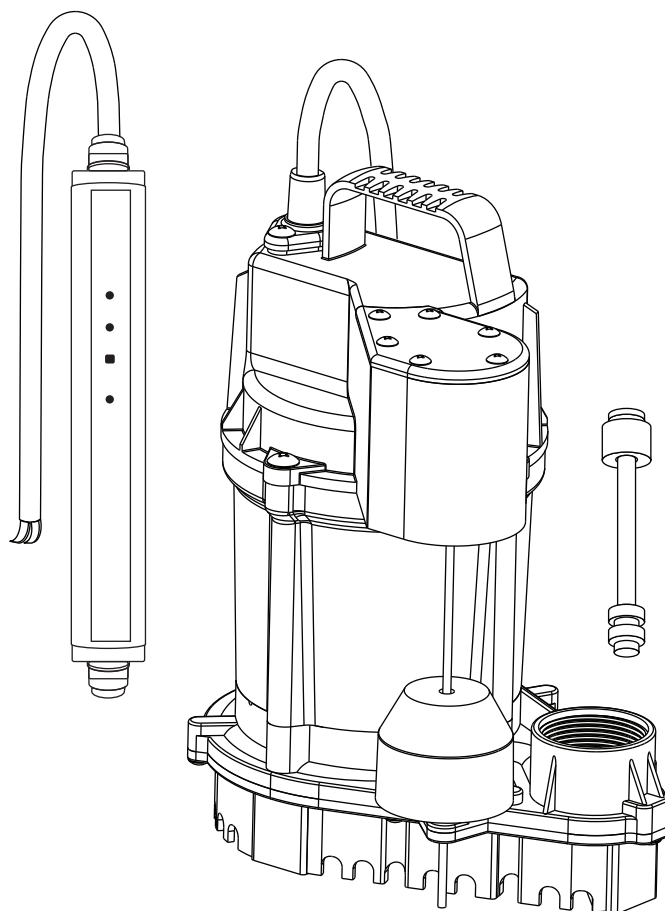


SUMIDERO INTELIGENTE BOMBA DE SUMIDERO DE GRAN VOLUMEN CON WiFi

MODELO #STBS700

Zoeller® es una marca registrada de
Zoeller Co. Todos derechos reservados.

BasementSentry.com



ADJUNTE SU RECIBO AQUÍ

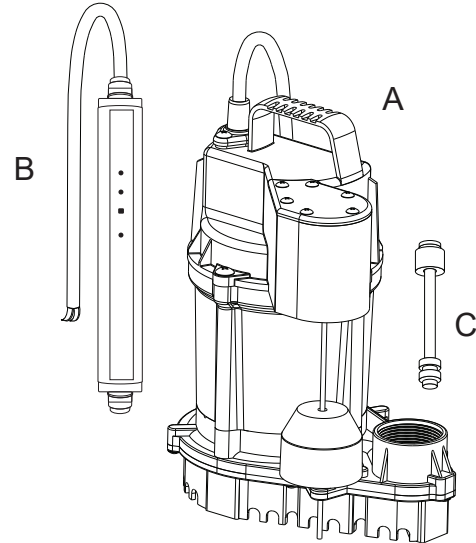
Fecha de compra _____



¿Preguntas, problemas, partes faltantes? Antes de acudir al minorista, llame a nuestro departamento de servicio al cliente al 1-800-584-8089, de lunes a viernes de 7:30 a.m. a 5:00 p.m., EST.

CONTENIDO DEL PAQUETE

	DESCRIPCIÓN	CANTIDAD
A	Bomba de 12 V con junta tórica	1
B	Controlador	1
C	Flotador doble	1



ESPECIFICACIONES								
MODELO	HP	DESCARGA	AMPERIOS	RENDIMIENTO EN GALONES POR MINUTO				
				0 PIES	5 PIES	10 PIES	15 PIES	20 PIES
STBS700	3/4	1-1/2"	9.0	80	72	62	50	35

! INFORMACIÓN DE SEGURIDAD

Lea y comprenda completamente este manual antes de intentar ensamblar, usar o instalar el producto.


NOTA: Las bombas que exhiban la marca "UL", así como aquéllas que exhiban la marca "US", satisfacen la norma UL778 de Underwriters Laboratory. Las bombas certificadas por la Asociación Canadiense de Normalización (CSA) satisfacen la norma C22.2 de la CSA. 108.

! PELIGRO

- **PELIGRO DE INCENDIO O EXPLOSIÓN.**
Bombee solo agua limpia. No bombee líquidos inflamables o explosivos como gasolina, gasoil, queroseno, etc. No la utilice en una atmósfera inflamable o explosiva. No seguir estas instrucciones puede provocar la muerte, lesiones graves o daños a la propiedad.
- **RIESGO DE DESCARGA ELÉCTRICA.**
No se ha verificado el uso de estas bombas en piscinas.
- **RIESGO DE DESCARGA ELÉCTRICA.**
Desconecte siempre la fuente de alimentación antes de intentar instalar, reparar o realizarle mantenimiento a la bomba. Nunca manipule una bomba con las manos mojadas ni cuando esté parado sobre una superficie húmeda o en el agua. Podría ocurrir una descarga eléctrica fatal.
- **RIESGO DE DESCARGA ELÉCTRICA.**
Mantenga la bomba alejada del alcance de los niños.

INFORMACIÓN DE SEGURIDAD (CONTINUACIÓN)

ADVERTENCIA

- **ALERTA DE DESCARGA ELÉCTRICA.**
Antes de instalar este producto, haga que un electricista revise su circuito para asegurarse de que la puesta a tierra sea adecuada. Todas las instalaciones eléctricas deben cumplir con el Código Nacional de Electricidad (NEC, por sus siglas en inglés) y con todos los códigos locales.
- **ALERTA DE DESCARGA ELÉCTRICA.**
Conecte el adaptador de CA a un circuito de 115 V con la debida conexión a tierra equipado con un interruptor de circuito con protección de falla a tierra (GFCI, por sus siglas en inglés). Asegúrese de que el circuito de suministro eléctrico esté equipado con fusibles o disyuntores con una capacidad mínima de 15 amperios.
- **ALERTA DE DESCARGA ELÉCTRICA.**
Nunca utilice una extensión eléctrica.
- **ALERTA DE DESCARGA ELÉCTRICA.**
Estas bombas se suministran con un enchufe de tres terminales con conexión de tierra, para ayudar a proteger al usuario contra un posible choque eléctrico. BAJO NINGUNA CIRCUNSTANCIA ELIMINE EL TERMINAL DE TIERRA.
- **ALERTA DE DESCARGA ELÉCTRICA.**
No retire ni reemplace el cable eléctrico.
- **ALERTA DE DESCARGA ELÉCTRICA.**
Proteja el cable eléctrico de objetos afilados, superficies calientes, aceite y otras sustancias químicas. Evite torcer el cable.
- **ADVERTENCIA DE PROPOSICIÓN 65 PARA RESIDENTES DE CALIFORNIA:**
 Advertencia: Cáncer y Daño Reproductivo – www.P65Warnings.ca.gov

PRECAUCIÓN

- **PODRÍAN PRODUCIRSE LESIONES PERSONALES O DAÑOS AL PRODUCTO.**
El adaptador de CA opera a 115 V. Asegúrese de que la fuente de alimentación cumpla con los requisitos de su equipo.
- **PRODUCT DAMAGE MAY RESULT.**
La temperatura de funcionamiento continuo del agua para las bombas de modelo estándar no debe exceder los 40 °C (104 °F).
- **PUEDE PROVOCAR DAÑO AL PRODUCTO.**
Esta bomba fue diseñada solo para bombear agua. No se ha probado su uso para bombear productos químicos ni materiales corrosivos.
- **PUEDE PROVOCAR DAÑO AL PRODUCTO.**
Revise de manera regular que la bomba no presente daños y realícele mantenimiento de rutina cuando sea necesario.
- **PROPERTY DAMAGE MAY RESULT.**
This product requires a 3/16-in vent hole to be drilled in the discharge pipe, level with the top of the pump. The vent hole should be checked periodically for clogs. It is normal for water to come out of this vent hole during pump operation.
- **PROPERTY OR PRODUCT DAMAGE MAY RESULT.**
This pump is not designed for pumping effluent or sewage.
- **PRODUCT DAMAGE MAY RESULT.**
This pump is not designed for continuous operation.

CONECTAR LA BOMBA STBS700 AL CONTROLADOR

Al conectar la bomba STBS700 a la aplicación Basement Sentry mediante el WiFi integrado, el usuario puede configurar mensajes de alerta gratuitos por correo electrónico y notificaciones “push” de la aplicación móvil. Además, el usuario puede verificar la disponibilidad de la bomba STBS700, silenciar alarmas de manera remota, restablecer la unidad, ajustar las configuraciones y modificar la forma de envío de las notificaciones. También hay otros tipos de informaciones visuales, como el estado de la bomba, disponibles por Internet y a través de las interfaces de la aplicación.

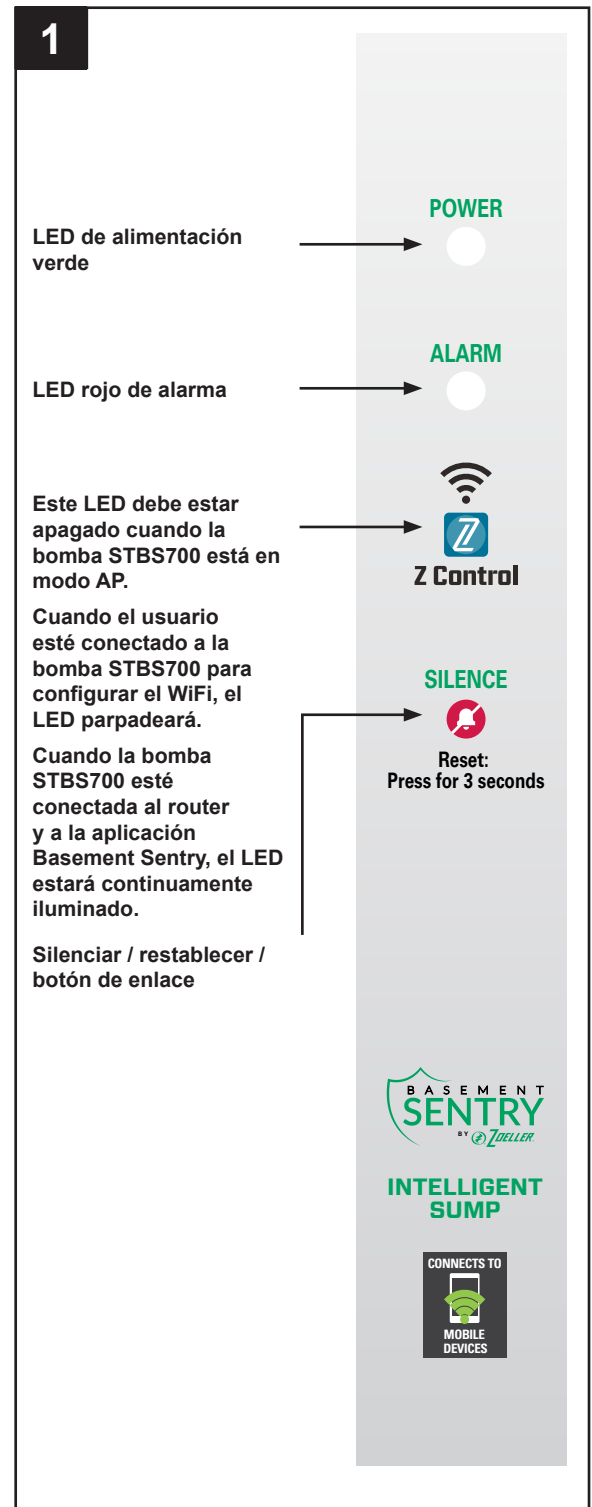
Antes de comenzar:

- Descargue la aplicación Z Control®, configure la cuenta o ingrese en zcontrolcloud.com y cree una cuenta.
- Sepa cuál es el nombre (es decir, el SSID) y la contraseña de su router WiFi. Vuelva a verificar la contraseña para saber cómo se escribe exactamente, incluido si tiene mayúsculas o minúsculas.
- Verifique que su router de WiFi esté conectado a Internet.
- Verifique que su teléfono, tableta o computadora tenga WiFi en funcionamiento, que pueda conectarse a su enrutador de WiFi y que usted pueda estar cerca del controlador Basement Sentry durante el proceso de instalación.
- Localice y anote la identificación del dispositivo de la bomba STBS700 en la calcomanía plateada que se encuentra en la parte trasera de la bomba.

Opción 1 - Utilizar la aplicación móvil (iOS y Android)

Antes de comenzar:

- Sepa cuál es el nombre (es decir, el SSID) y la contraseña de su router WiFi. Para evitar uno de los problemas más comunes, vuelva a verificar la contraseña para saber cómo se escribe exactamente, incluido si tiene mayúsculas o minúsculas.
- Verifique que su dispositivo móvil tenga WiFi en funcionamiento con una señal fuerte cuando esté junto al controlador Basement Sentry. Si la señal es dudosa, es posible que el controlador no pueda mantener una conexión estable.
- Verifique que su router WiFi esté conectado a Internet y que esté transmitiendo una red visible y segura de 2.4 GHz.
- Se requiere una red de 2.4 GHz. Si solo ve redes de 5 GHz, puede que tenga que iniciar sesión en su router de banda dual para elegir transmitir las redes por separado.
- Es probable que sea necesario apagar temporalmente el direccionamiento de banda durante la configuración.
- La red de 2.4 GHz debe utilizar seguridad WPA o WPA2. No se aceptan redes WEP ni abiertas.
- Puede ser necesario apagar temporalmente cualquier VPN u otros controles de red durante la configuración.
- Localice el ID de dispositivo del Basement Sentry situado en la parte superior del controlador.



- A igual que la mayoría de los dispositivos conectados a Internet, la conectividad WiFi del controlador Basement Sentry debe estar protegida por un firewall. La mayoría de los routers cuentan con un firewall integrado. Consulte a un profesional de redes por preguntas específicas sobre los firewalls.

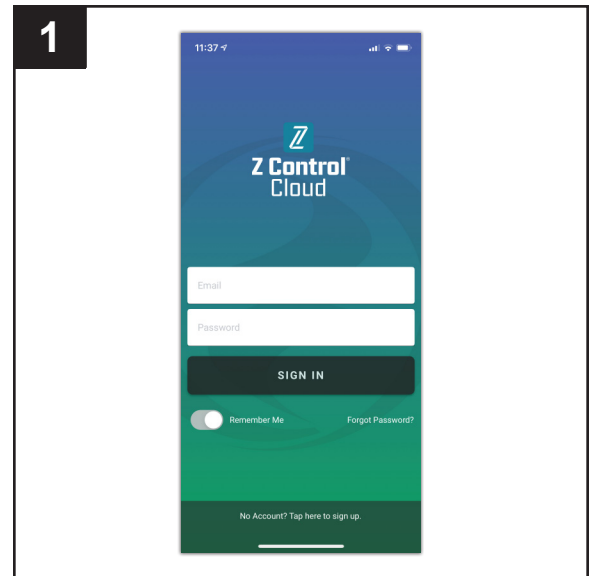
NOTA: La lista anterior también puede ayudar a solucionar problemas de conectividad.

CONECTAR LA BOMBA STBS700 AL CONTROLADOR (CONTINUACIÓN)

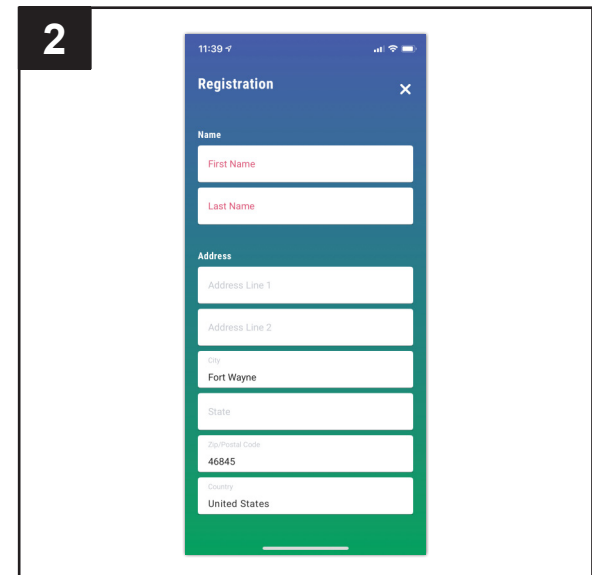
Utilizar la aplicación móvil (iOS y Android) (continuación)

Estas instrucciones brindan una descripción general de lo que hará la aplicación. Es posible que se necesiten pasos adicionales.

1. Abra la aplicación e inicie sesión en su cuenta. Si no tiene una cuenta, deberá hacer clic en el enlace en la parte inferior de la pantalla de inicio para crear una.



2. Abra su perfil para configurar números de teléfono o direcciones de correo electrónico adicionales donde se deberían enviar las notificaciones.



3. Una vez que haya iniciado sesión en su cuenta, cree ubicaciones tocando el signo “+” desde la pantalla Ubicaciones.



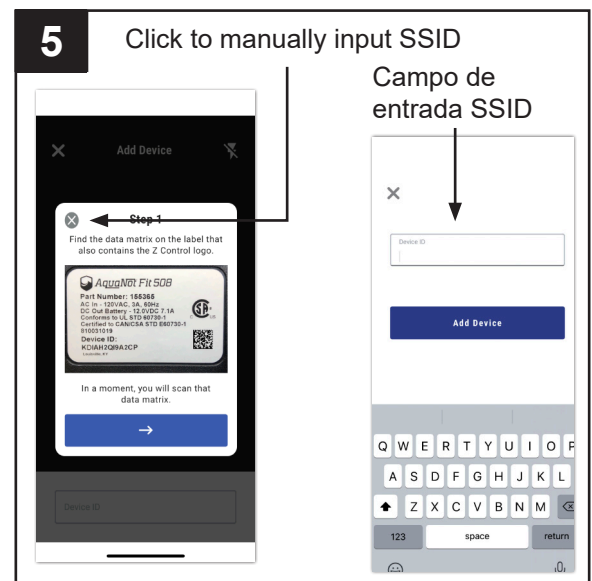
CONECTAR LA BOMBA STBS700 AL CONTROLADOR (CONTINUACIÓN)

Utilizar la aplicación móvil (iOS y Android) (continuación)

- Una vez que se haya creado una ubicación, necesitará agregar un dispositivo. Para agregar un dispositivo, elija el nombre de la ubicación deseada y luego toque el signo “+” para comenzar a agregar un dispositivo. Permita acceso a la cámara así puede escanear la matriz de datos.



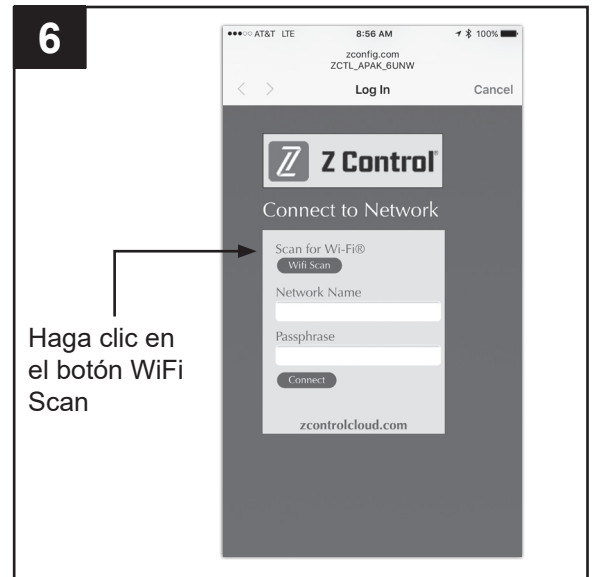
- La aplicación le pedirá que escanee el código QR de la matriz de datos en el controlador. Puede omitir este paso e ingresar manualmente el SSID del controlador, que se encuentra en la etiqueta del controlador.



CONECTAR LA BOMBA STBS700 AL CONTROLADOR (CONTINUACIÓN)

Utilizar la aplicación móvil (iOS y Android) (continuación)

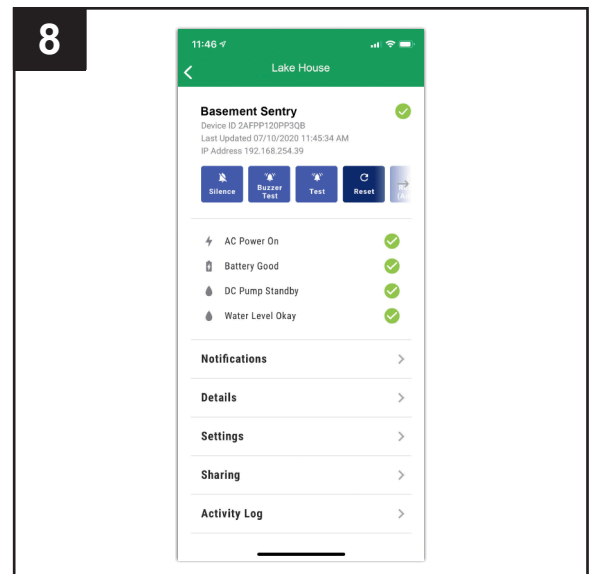
6. Cuando se abra la pantalla capacitiva, utilice el botón “WiFi Scan” (Escanear WiFi) para buscar la red WiFi que quiera que el controlador use, selecciónela de la lista que se proporciona en la parte inferior de la pantalla (es posible que deba desplazarse) y escriba la contraseña en el campo. El LED del Z Control® debe quedar fijo dentro de un minuto indicando una conexión exitosa con el router y la nube del Z Control®. Al conectarse por primera vez a la nube, es posible que el controlador Basement Sentry actualice de inmediato su firmware por aire (OTA), si hay una actualización disponible. Durante la actualización, el LED del Z Control® parpadeará durante un minuto como máximo mientras se descarga la actualización. El LED del Z Control® se quedará fijo y todos los otros LED se apagarán durante la instalación de la actualización. Después de un minuto como máximo, el controlador se reiniciará y volverá a funcionar normalmente. El historial de alertas del controlador en la nube de Z Control® también se actualizará con la información de actualización del firmware y se enviarán notificaciones a las cuentas de correo electrónico que se hayan establecido.



7. Ahora puede regresar a la aplicación Z Control® para ver su nuevo dispositivo configurado en la ubicación que seleccionó anteriormente. Siempre puede cambiar un dispositivo a una ubicación diferente en su cuenta.



8. Abra la aplicación Basement Sentry para explorar el estado actual, los ajustes de configuración y los comandos disponibles, como ser Prueba de la bomba, Prueba del timbre, Silenciar, etc. Realice estas pruebas para garantizar que todo funciona como es debido. Restablezca todas las alarmas cuando termine.



CONECTAR LA BOMBA STBS700 AL CONTROLADOR (CONTINUACIÓN)

Opción 2 - Utilice su dispositivo móvil o computadora para conectarse al controlador Basement Sentry directamente

En lugar de utilizar un dispositivo móvil y la aplicación Z Control®, también puede utilizar su dispositivo móvil o computadora para conectarse al controlador directamente.

Antes de comenzar:

- Sepa cuál es el nombre (es decir, el SSID) y la contraseña de su router WiFi. Para evitar uno de los problemas más comunes, vuelva a verificar la contraseña para saber cómo se escribe exactamente, incluido si tiene mayúsculas o minúsculas.
- Verifique que su dispositivo móvil tenga WiFi en funcionamiento con una señal fuerte cuando esté junto al controlador Basement Sentry. Si la señal es dudosa, es posible que el controlador no pueda mantener una conexión estable.
- Verifique que su router WiFi esté conectado a Internet y que esté transmitiendo una red visible y segura de 2.4 GHz.
- Se requiere una red de 2.4 GHz. Si solo ve redes de 5 GHz, puede que tenga que iniciar sesión en su router de banda dual para elegir transmitir las redes por separado.
- Es probable que sea necesario apagar temporalmente el direccionamiento de banda durante la configuración.
- La red de 2.4 GHz debe utilizar seguridad WPA o WPA2. No se aceptan redes WEP ni abiertas.

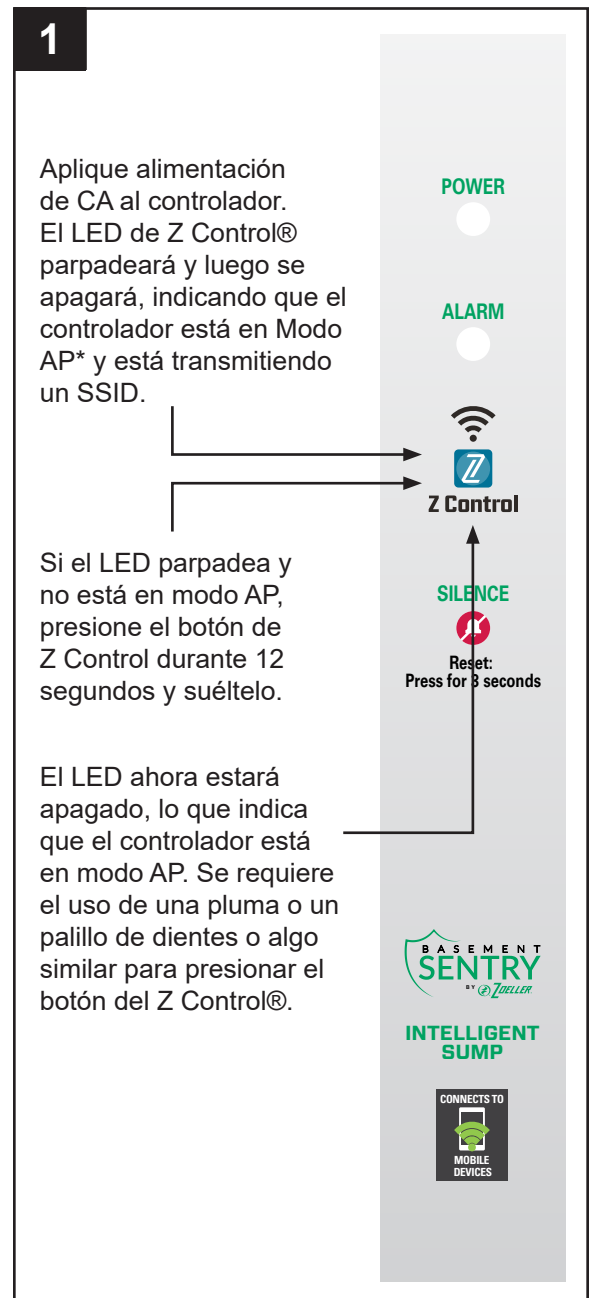
1. Enchufe el controlador en una toma de CA. El LED de alimentación se iluminará. El LED de alarma y el Z Control blanco parpadearán una vez, indicando que el controlador está transmitiendo

*El modo AP es cuando el controlador transmite su “nombre” o SSID. El SSID está en un formato similar a ZCTL_SSUMP_XXXX, donde “xxxx” son los primeros 4 dígitos del ID de su dispositivo controlador (ver figura 2). El SSID del controlador Basement Sentry aparecerá en la lista de opciones de WiFi disponibles en su teléfono/tableta/ computadora y al seleccionarlo le dará conectividad directa al controlador. Esto es necesario para que su controlador reciba las credenciales necesarias de la contraseña para conectarse al WiFi que elija.

- Puede ser necesario apagar temporalmente cualquier VPN u otros controles de red durante la configuración.
- Cree una cuenta gratuita en zcontrolcloud.com.
- Localice el ID de dispositivo del Basement Sentry situado en la parte superior del controlador.

NOTA: La lista anterior también puede ayudar a solucionar problemas de conectividad.

Si el controlador aún no se conecta después de probar las sugerencias anteriores, siga los mismos pasos para conectar el controlador al punto de acceso de un teléfono móvil en lugar del router WiFi de la casa. Si el controlador se conecta con éxito a la nube a través del punto de acceso, entonces es probable que el problema esté relacionado con la configuración del router.



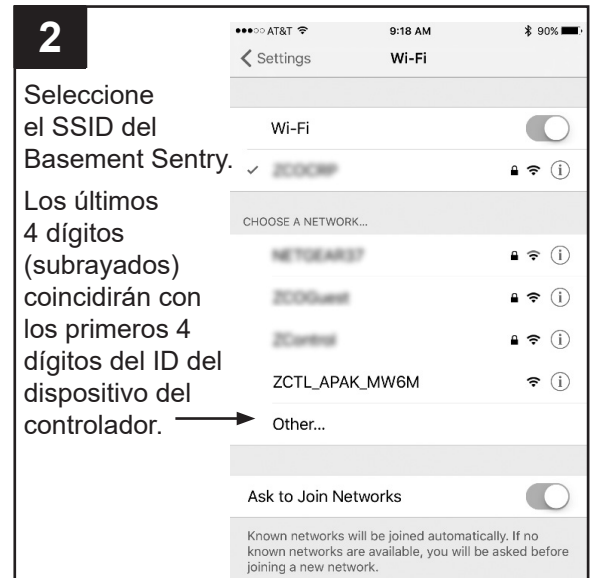
CONECTAR LA BOMBA STBS700 AL CONTROLADOR (CONTINUACIÓN)

Conectarse con su dispositivo móvil o computadora (continuación)

2. Parado cerca del controlador, use su teléfono, tableta o computadora para buscar el SSID del controlador Basement Sentry en la configuración de su WiFi. Aparecerá como “ZCTL_SSUMP_XXXX”, donde “xxxx” son los primeros 4 dígitos del ID de su dispositivo controlador. Selecciónelo y asegúrese de que su dispositivo muestra una marca de verificación o un indicador similar de que está conectado a la red local del controlador. De ser así, sucederán dos cosas:

- A. El LED del Z Control® parpadeará rápidamente.
- B. Se abrirá la pantalla de configuración (figura 3) del Z Control®. Esto puede tardar hasta 30 segundos.

Si no aparece la pantalla de configuración, abra un navegador en el mismo dispositivo y escriba “192.168.125.1” en la barra de direcciones. Si aparece la pantalla de configuración pero no se usa (cancelada o cerrada), el controlador volverá al modo AP y el LED de Z Control® se apagará hasta el próximo intento de configuración del WiFi. Si la pantalla de configuración aun no aparece, verifique que su dispositivo esté todavía conectado al SSID del controlador. Si no lo está, repita el paso 2 y asegúrese de que el WiFi de su dispositivo se mantiene conectado al controlador. Si su dispositivo muestra un mensaje de advertencia por falta de Internet o de seguridad en la red del controlador, ignórelo y conéctese igual.



3. En la pantalla de configuración, presione el botón “WiFi Scan” (Escanear WiFi), deslícese hacia abajo para ver la lista de señales de WiFi encontradas y elija el WiFi que quiere usar para que el controlador Basement Sentry tenga conexión a Internet. Ingrese la contraseña del router que eligió en el campo indicado. Si la contraseña es correcta, el controlador se conectará al router y comenzará a enviar actualizaciones de estado a zcontrolcloud.com. Verá que el LED del Z Control® deja de parpadear y se queda fijo. Esto puede demorar alrededor de un minuto.

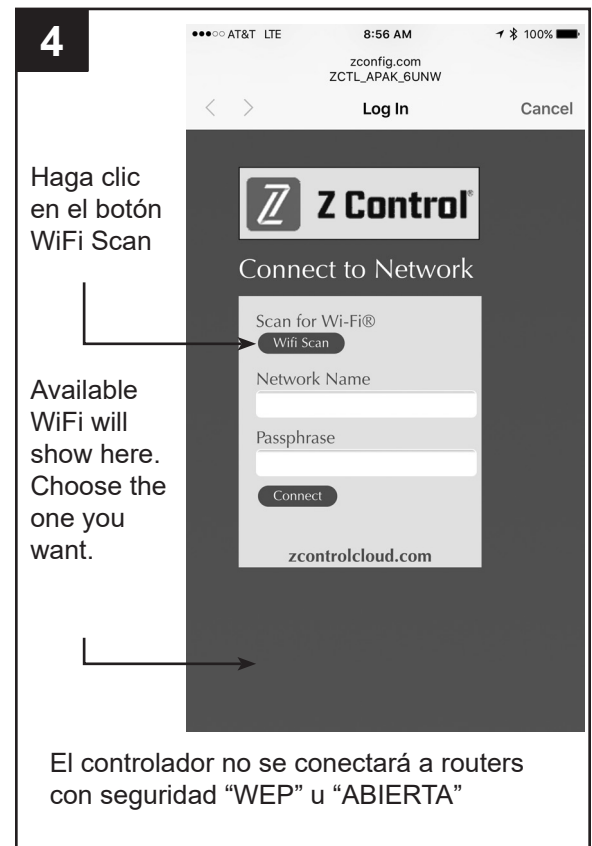
Si el LED no queda fijo, entonces la contraseña ingresada es incorrecta, la seguridad del router es insuficiente (ver la nota a continuación***), o existe algún tipo de restricción de red (consultar con el administrador de red). El controlador volverá al modo de espera si la conexión al router no tuvo éxito. Si necesita forzar el controlador al modo AP nuevamente, presione el botón de reinicio durante diez segundos. (ver figura 1). Esto hará que el controlador vuelva a ponerse en modo AP y comience a transmitir su SSID de nuevo. Repita los pasos 2 y 3.



CONECTAR LA BOMBA STBS700 AL CONTROLADOR (CONTINUACIÓN)

Conectarse con su dispositivo móvil o computadora (continuación)

- Una vez que el LED del controlador quede fijo, inicie sesión en su cuenta (o cree una) en zcontrolcloud.com. Elija el botón "Add New Device" (Agregar dispositivo nuevo) junto a la ubicación donde quiere al controlador (ver figura D). Siga las instrucciones para agregar su controlador, ya sea a través de la detección automática o el ingreso del ID del dispositivo. Cuando lo haya logrado, aparecerá en su cuenta la ficha del producto Basement Sentry.



Actualizaciones de firmware:

El controlador Basement Sentry tiene capacidad OTA, o de recibir actualizaciones de firmware por aire. Es posible que el controlador haga una actualización de inmediato si hay alguna disponible en la nube del Z Control®. Durante la actualización, el LED del Z Control® parpadeará durante un minuto como máximo mientras se descarga la actualización. El LED del Z Control® se quedará fijo y todos los otros LED se apagarán durante la instalación de la actualización. Después de un minuto como máximo, el controlador se reiniciará y volverá a funcionar

normalmente. El historial de alertas del controlador en la nube del Z Control® también se actualizará con la información de actualización del firmware y se enviarán notificaciones a las cuentas de correo electrónico.

Configuración del controlador

Su controlador Basement Sentry está ahora en línea. Asegúrese de que agregó la información de contacto para números de teléfono y direcciones de correo electrónico que deberían recibir notificaciones. Esto se puede hacer al seleccionar "Manage Contacts" (Administrar contactos) en el menú principal (el cuadrado con 3 líneas en la esquina superior derecha). También puede editar la forma en que cada dispositivo envía notificaciones desde la pestaña "Alarm Settings" (Configuraciones de alarma) del dispositivo. Ahora puede abrir la configuración del producto

al hacer clic en el botón "View" (Ver) para modificar las configuraciones del dispositivo del controlador y de las notificaciones. También puede instalar la aplicación móvil Z Control® en su dispositivo móvil (versiones disponibles en iOS y Android, busque "Z Control®" en las tiendas de aplicaciones).

COMPORTAMIENTO DE LOS LED DE LA BOMBA STBS700, BOTÓN, ALARMA Y CONTROLADOR

Comportamiento de los LED del Z-Control y las alarmas	LED de alimentación	El LED de alimentación se enciende cuando existe alimentación CA.
	Alarma	LED de entrada encendido fijo. La alarma hace tres pitidos continuamente.
	LED de Z Control	El LED está fijo cuando está conectado a un router y a la aplicación Basement Sentry. El LED está apagado cuando el controlador STBS700 está en modo AP.* El LED parpadea cuando la configuración del Wi-Fi está en proceso. El LED parpadea más rápido si el controlador STBS700 está intentando volver a conectarse a un router conocido. El LED alterna entre parpadeo rápido y lento cuando el controlador STBS700 está conectado a un router pero se pierde la conexión a Internet.
Botón de silencio	Presionar/Soltar	Silencia las alarmas. El LED de la alarma se queda encendido (o parpadea) hasta que se reinicie el controlador STBS700.
	Mantener presionado por 3 segundos	Reinicia cualquier alarma activa y regresa el controlador STBS700 al modo de espera.
	Mantener presionado por 4 segundos	Inicia una prueba de LED y alarma. Parpadeará y hará pitidos dobles 3 veces.
	Mantener presionado al conectar el controlador STBS700 a la alimentación CA	El controlador STBS700 entrará al modo AP. * Para que el controlador STBS700 regrese a los ajustes de WiFi anteriores, apague y vuelva a encender.
	Mantener presionado 12 segundos	Restablece los ajustes de fábrica del controlador STBS700, elimina también las configuraciones de WiFi. El controlador STBS700 entrará al modo AP.*
Comunicaciones	Comunicación con la aplicación Basement Sentry	La comunicación es casi continua.
	Se perdió la comunicación con la aplicación Basement Sentry	Después de 10 minutos sin comunicación, se envía una notificación al usuario.
	Condición de la alarma presente	Comunicación inmediata con la aplicación Basement Sentry.

La información de producto que se presenta en este documento refleja las condiciones existentes en el momento de publicación. Consulte con la fábrica en caso de discrepancias o inconsistencias.

PREPARACIÓN

Tiempo estimado de instalación: 15 minutos

Materiales necesarios para en ensamblaje: recipiente para sumidero, tubería de entrada, tubería de descarga (PVC, polietileno o acero galvanizado), válvula de retención y sistema de adhesivo para PVC de 2 pasos (cebado y sellado).

Esta bomba está diseñada para instalarse en un recipiente para sumidero para eliminar agua de desagüe limpia y, por lo general, dejará pasar pequeñas partículas suspendidas en el agua. El lodo espeso, la arena o la gravilla pueden obstruir la bomba, la que a menudo puede limpiarse si se introduce agua con una manguera para jardín a través de la descarga de la bomba.

El contenedor para agua de sumidero debe ser como mínimo de 45.7 cm (18 pulg.) de profundidad por 25.4 cm (10 pulg.) de diámetro.

Operación de flotador doble:

La bomba se encenderá cuando el flotador principal grande esté en la posición de arriba y se apagará cuando el flotador principal esté en la posición de abajo.

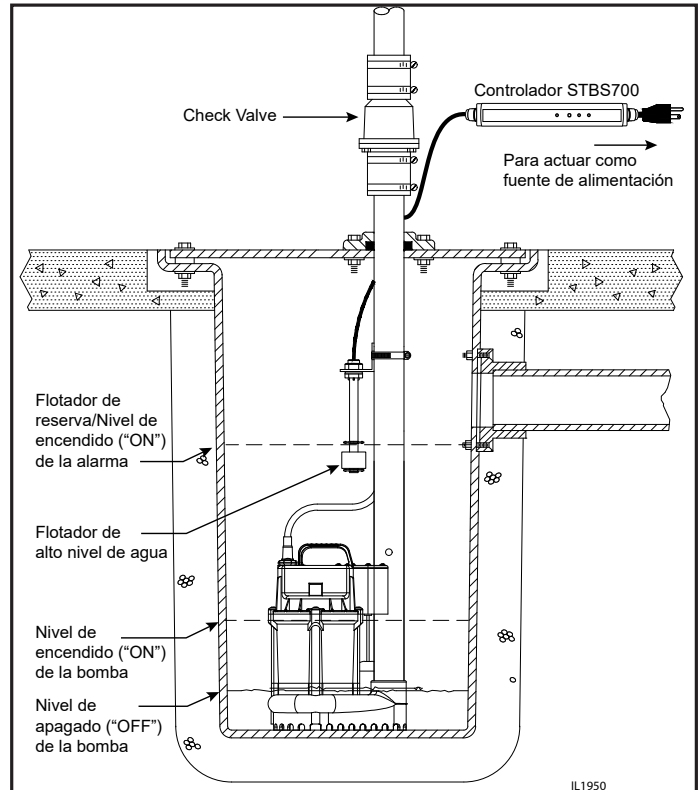
Si la bomba funciona durante más de 25 segundos (el flotador principal está alto) y el flotador secundario pequeño está abajo, el flotador principal se deshabilitará temporalmente. El flotador principal se vuelve a habilitar si el flotador principal se mueve hacia abajo, o si han transcurrido tres minutos.

La bomba se encenderá si el flotador de reserva se mueve hacia arriba. Se habilitará un temporizador de 10 segundos cuando el flotador de reserva se mueva hacia abajo. La bomba funcionará hasta que el flotador principal baje y el tiempo del temporizador de 10 segundos se haya agotado.

Niveles de encendido (on) / apagado (off) - Interruptor de flotador principal

Interruptor de flotador principal	
A nivel	7 pulg
Nivel de apagado	3 pulg

Estas bombas están equipadas con un interruptor de flotador vertical. La bomba se encenderá automáticamente cuando el nivel de agua en el sumidero alcance el nivel de encendido (on) del interruptor de flotador principal y se apagará cuando el agua caiga al nivel de apagado (off) del interruptor de flotador.



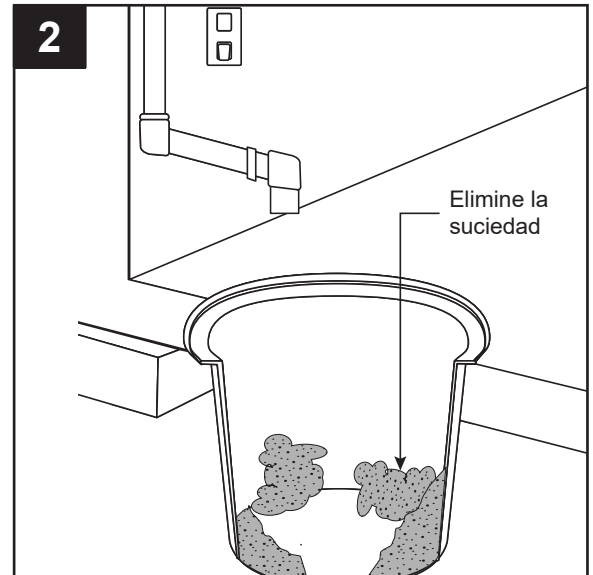
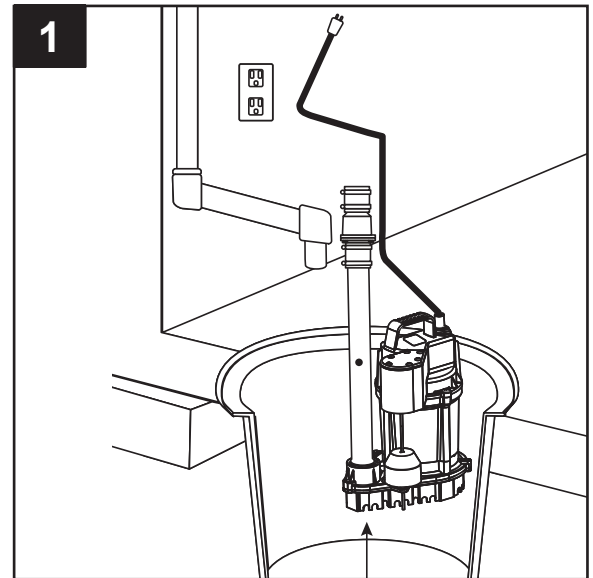
INSTALACIÓN DE BOMBA DE SUMIDERO

1. **PRECAUCIÓN:** Para su seguridad, desconecte la alimentación eléctrica en la entrada de servicio para evitar posibles riesgos de descarga eléctrica. Antes de instalar la bomba en el pozo del sumidero, asegúrese de desconectar la bomba de la toma de corriente.

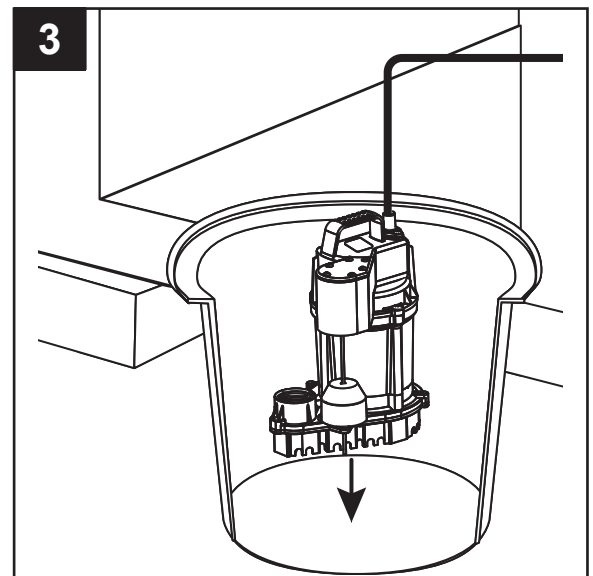
Desconecte la bomba existente de la fuente de energía. Desconecte o corte la tubería de descarga principal y separe la bomba de sumidero principal de la tubería de descarga. Retire la bomba del contenedor para agua de sumidero.

ADVERTENCIA: No manipule la bomba con las manos mojadas o cuando esté parado sobre una superficie mojada, húmeda o con agua. Puede ocurrir una descarga eléctrica mortal.

2. Retire de la fosa del sumidero y del área adyacente cualquier tipo de suciedad o escombros acumulados



3. Colocar la bomba STBS700 en el contenedor de sumidero

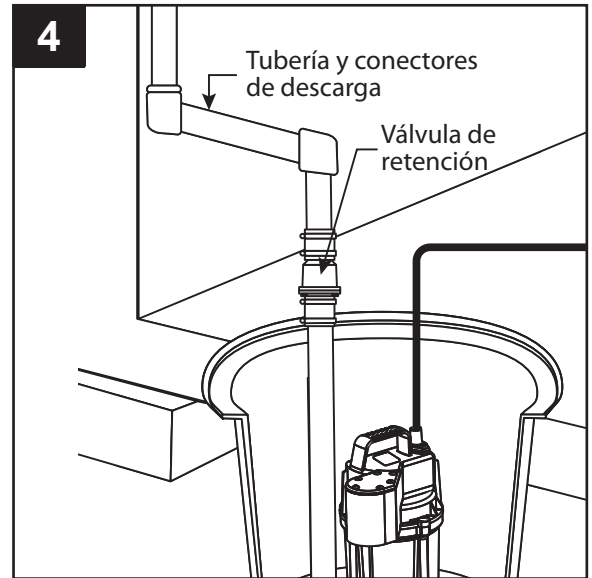


INSTALACIÓN DE BOMBA DE SUMIDERO (CONTINUACIÓN)

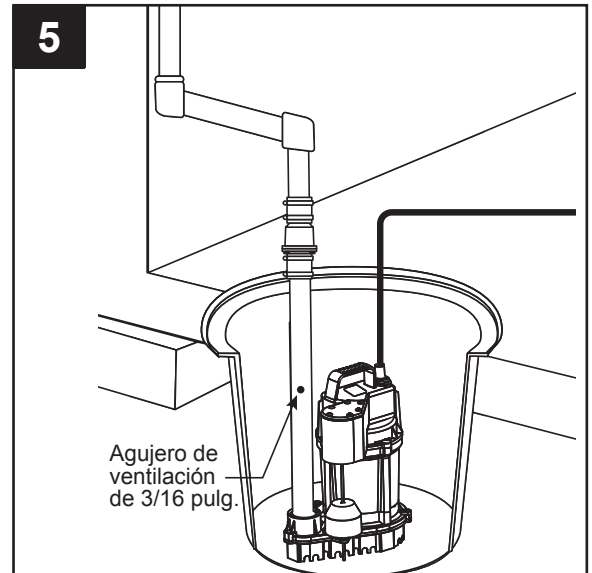
4. Conecte la tubería de descarga, los conectores y la válvula de retención (no provista) a la descarga de la bomba. La tubería de descarga debe tener el mismo tamaño que la descarga de la bomba, (1 1/2") o mayor.

Se debe instalar una válvula de retención en la tubería de descarga para evitar que el agua se devuelva hacia el recipiente del sumidero cuando no esté en funcionamiento

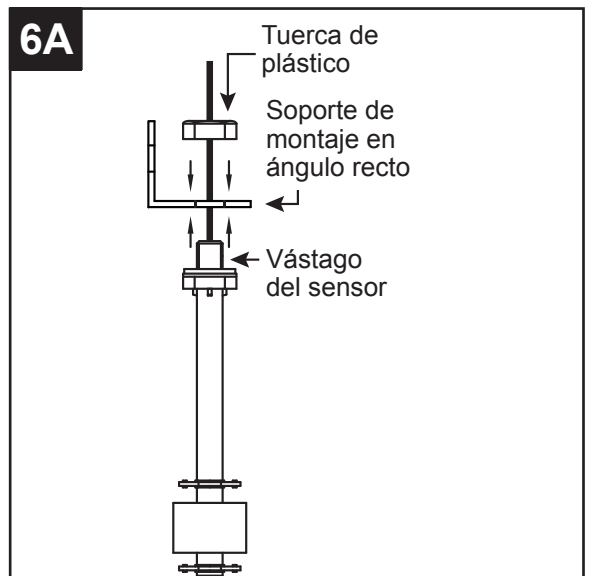
NOTA: Asegúrese de que haya el espacio suficiente en el recipiente para que el flotador se mueva libremente. Si el flotador no se puede mover con libertad, la bomba no funcionará.



5. Perfore un agujero de ventilación de 3/16 pulg. en la tubería de descarga nivelado con la parte superior de la bomba. Es normal que salga un chorro de agua de este orificio cuando la bomba está funcionando.

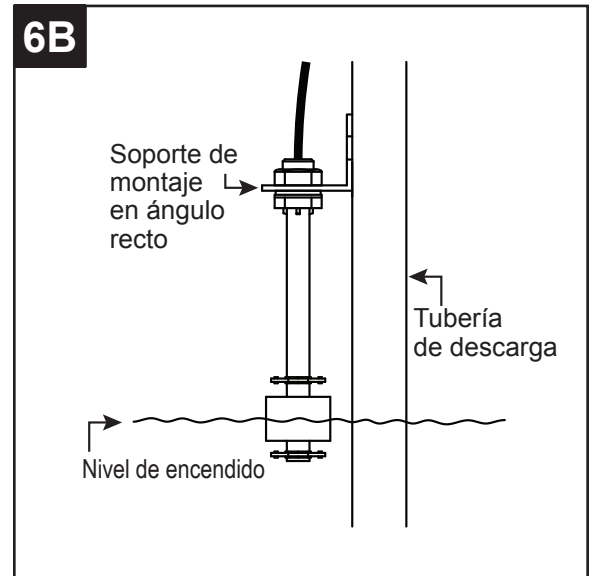


4. A. Fije el flotador secundario al soporte de montaje en ángulo recto desenroscando la tuerca de plástico. Vuelva a apretar la tuerca de plástico después de insertar el vástago del sensor en el soporte.



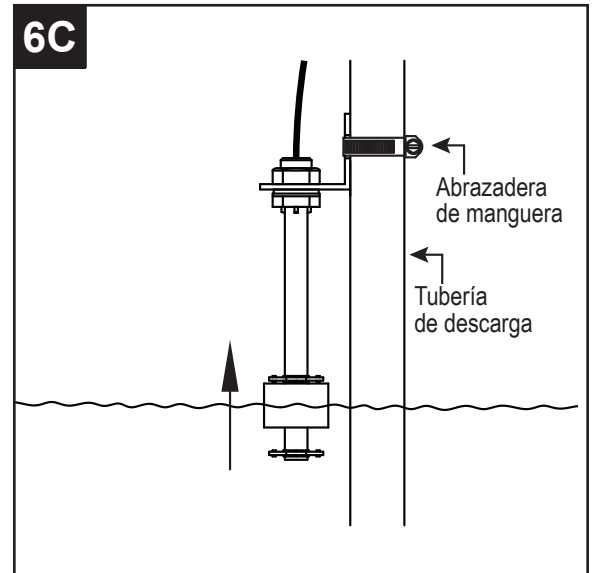
INSTALACIÓN DE BOMBA DE SUMIDERO (CONTINUACIÓN)

6. B. Ponga el flotador secundario en el “nivel de encendido” deseado en la tubería de descarga.



6. C. Fije un soporte de montaje en el tubo de descarga como se muestra, utilizando una abrazadera de manguera (incluida).

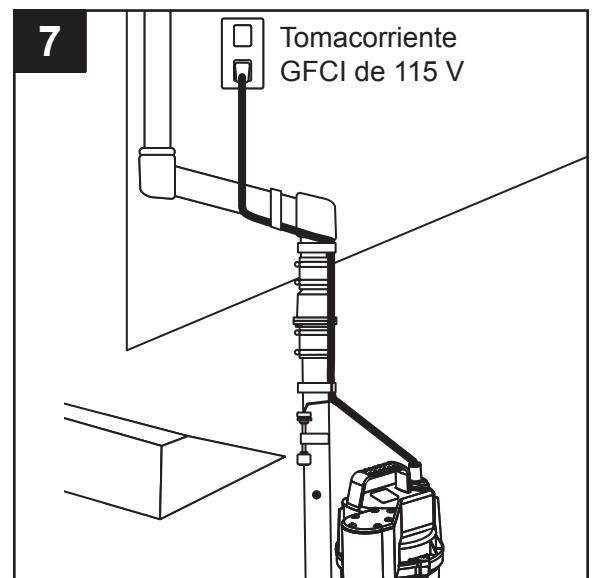
ADVERTENCIA: NO instale el flotador de nivel de agua alto en línea directa del agua entrante o cerca del orificio de ventilación.



7. Asegúrese de tener las manos secas y de no estar parado sobre agua. Conecte la bomba a un tomacorriente con interruptor de circuito de falla de puesta a tierra (GFCI) con la debida puesta a tierra.

ADVERTENCIA: no utilice una extensión eléctrica.

NOTA: una con cinta adhesiva el cable eléctrico a la tubería de descarga para evitar que interfiera con el movimiento del flotador.



GARANTÍA

Este producto se garantiza por un período de tres años a partir de la fecha de compra. Sujeto a las condiciones indicadas a continuación, el fabricante se compromete a reparar o reemplazar al consumidor original cualquier parte del producto que resulte defectuosa debido a defectos de materiales o mano de obra. Para obtener el servicio de garantía, póngase en contacto con el distribuidor al que le compró el producto. El fabricante se reserva el derecho y la opción exclusivos de determinar si se deben reparar o sustituir los equipos, piezas o componentes defectuosos. Los daños debidos a circunstancias ajenas al control del fabricante no están cubiertos por esta garantía.

ESTA GARANTÍA NO APLICARÁ: (a) a defectos o mal funcionamiento ocasionados por no instalar, operar o mantener la unidad de acuerdo con las instrucciones impresas proporcionadas, (b) a los fallos resultantes del abuso, accidentes o negligencia o uso inapropiado de productos químicos o aditivos en el agua, (c) a los servicios normales de mantenimiento y las piezas utilizadas en relación con dicho servicio; (d) a las unidades que no estén instaladas de acuerdo con los códigos locales, ordenanzas y buenas prácticas comerciales normalmente aplicables y (e) la unidad se utiliza para fines distintos a los que fue diseñada y fabricada.

DEVOLUCIÓN DE COMPONENTES EN GARANTÍA: Cualquier elemento a ser reparado o reemplazado bajo esta garantía debe ser devuelto al fabricante en Kendallville, Indiana o a cualquier otro lugar que el fabricante pueda designar, con flete prepago.

LA GARANTÍA AQUÍ CONTENIDA ESTÁ EN LUGAR DE TODAS LAS OTRAS GARANTÍAS EXPRESAS Y NO PUEDE SER AMPLIADA O MODIFICADA POR NADIE. CUALQUIER GARANTÍA IMPLÍCITA DEBERÁ LIMITARSE AL PERÍODO DE ESTA GARANTÍA LIMITADA Y A PARTIR DE ENTONCES TODAS DICHAS GARANTÍAS IMPLÍCITAS QUEDARÁN RECHAZADAS Y EXCLUIDAS. EL FABRICANTE NO SERÁ RESPONSABLE, BAJO NINGUNA CIRCUNSTANCIA, DE NINGÚN DAÑO INCIDENTAL, CONSECUENTE O ESPECIAL, COMO, A TÍTULO ENUNCIATIVO PERO NO RESTRICTIVO, LA PÉRDIDA DE OTROS BIENES O EQUIPOS, LA PÉRDIDA DE BENEFICIOS, INCONVENIENTES U OTROS DAÑOS INCIDENTALES O CONSECUENTES DE CUALQUIER TIPO O CARÁCTER. LA RESPONSABILIDAD DEL FABRICANTE NO DEBERÁ SUPERAR EL PRECIO DEL PRODUCTO EN EL CUAL SE BASE TAL RESPONSABILIDAD.

Esta garantía le otorga a usted derechos legales específicos y podría tener otros derechos que varían de un estado a otro. Algunos estados no permiten limitaciones en la duración de una garantía implícita, de forma que la limitación anterior podría no aplicar a usted. Algunos estados no permiten la exclusión o limitación de daños incidentales o emergentes, de forma que la limitación o exclusión anterior podría no aplicar a usted.

En aquellas instancias en que haya daños causados por una presunta falla de la bomba, el propietario deberá conservar la bomba a fin de investigar dicha falla.